

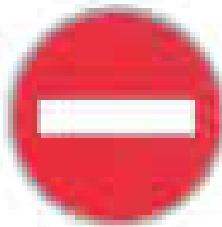


Government of Nepal



Traffic Signs Manual

Volume 2 of 2



Road Safety and Traffic Law Planning and Design Branch, Department of Road, Ministry of Physical Infrastructure and Transport.



2018

GOVERNMENT OF NEPAL

**TRAFFIC SIGNS MANUAL
VOLUME 2 OF 2**

**Road Safety and Traffic Unit
Planning and Design Branch,
Department of Roads
Ministry of Physical Infrastructure and Transport
2018**

VOLUME 2 APPENDICES

SECTION CONTENTS

J	Drawings of Signs and Symbols Standard Lettering Styles (Nepali & English) Primary Route Destinations in Nepali and English to be used on Direction Signs
----------	--

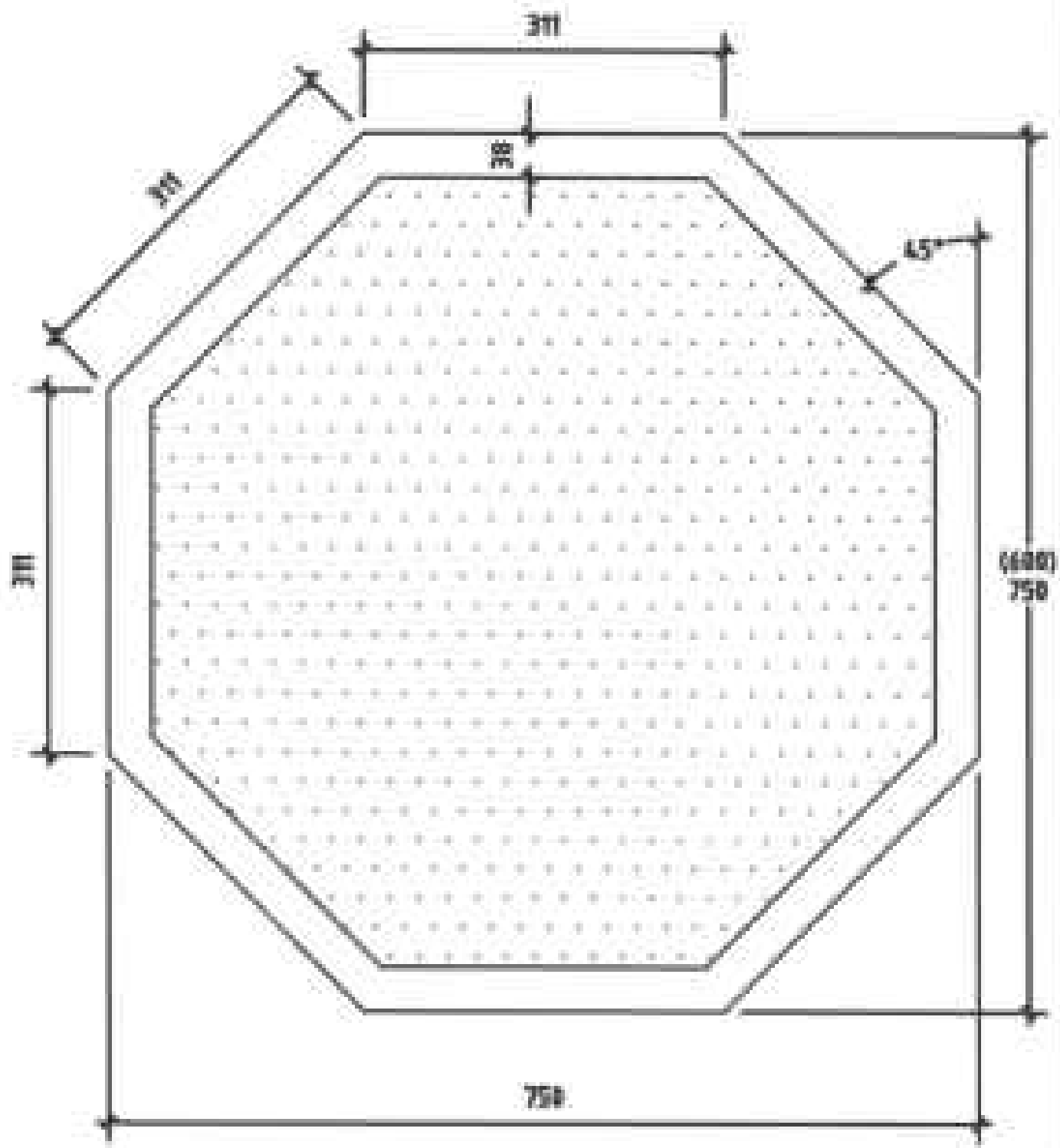
J Appendices

Drawings of Signs and Symbols

Standard Lettering Styles (Nepali & English)

Primary Route Destinations in Nepali and English to be used on Direction Signs

Department of Roads	Title - STOP AND GIVE WAY	Drawing No. - A1
TRAFFIC SIGNS MANUAL		

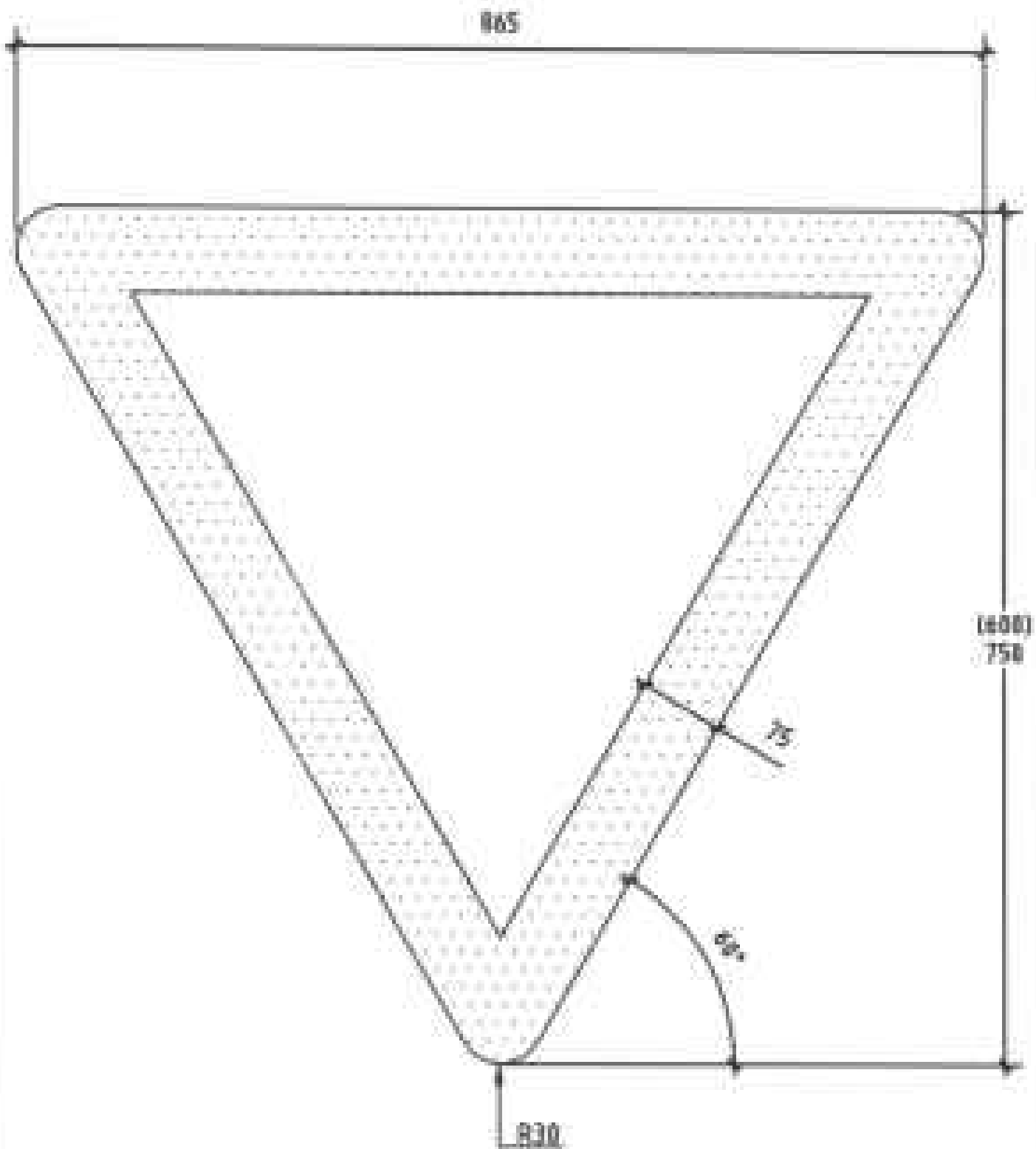


SCALE 1:5

Notes -
 1. If using alternative overall sign dimensions, shown in brackets, the other sign dimensions must be varied proportionally.
 2. All dimensions shown in millimetres

Colours -
 RED
 WHITE

Department of Roads	Title :- GIVE WAY TO TRAFFIC ON MAJOR ROAD/ROUNDAABOUT	Drawing No. :- A2
TRAFFIC SIGNS MANUAL		



SCALE 1:5

Notes :-

1. If using alternative overall sign dimensions, shown in brackets, the other sign dimensions must be varied proportionally.
2. All dimensions shown in millimetres.

Colours :-

-  RED
-  WHITE

Department of Roads

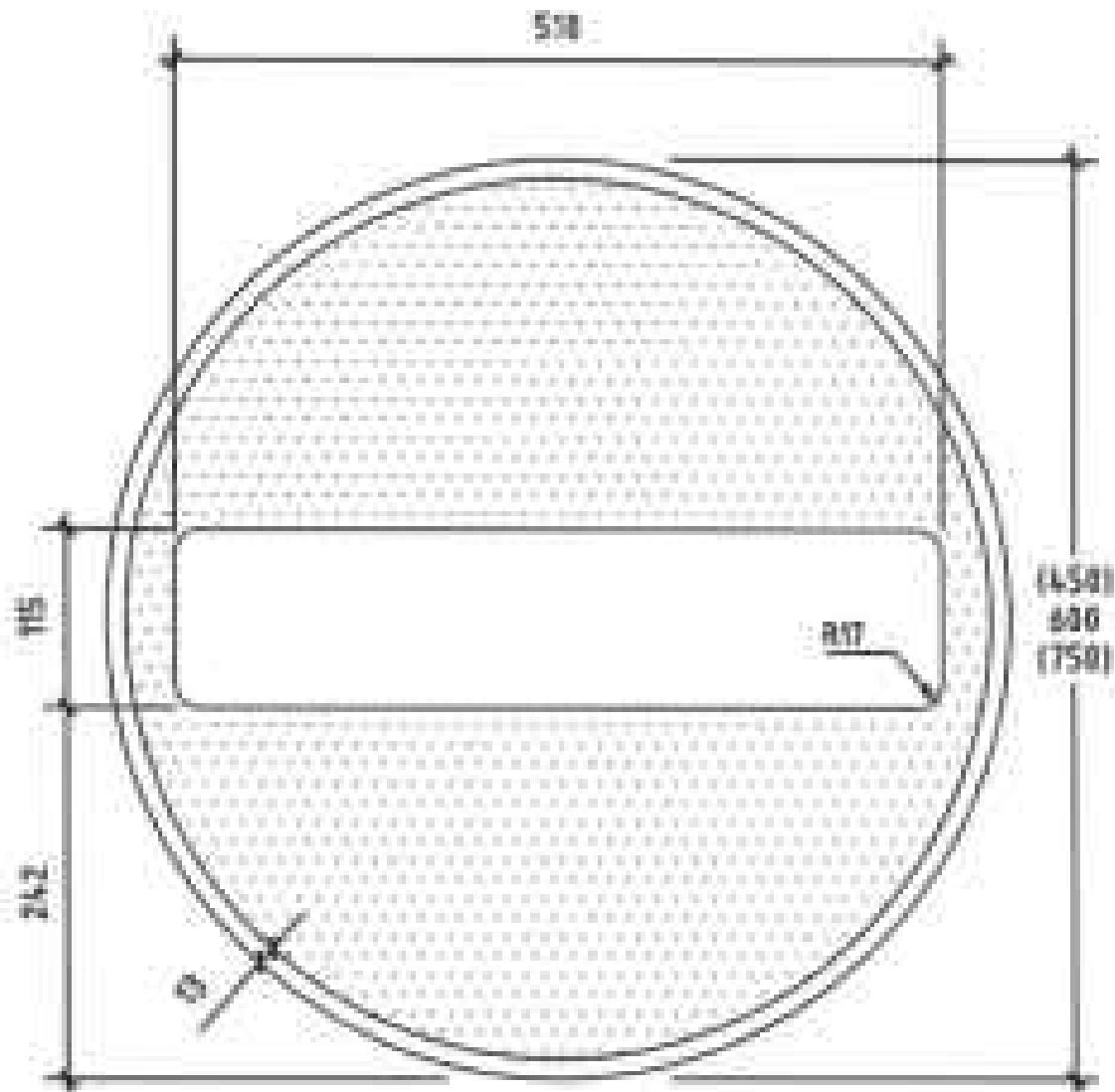
Title -

NO ENTRY FOR VEHICLES

Drawing No. -

A3

TRAFFIC SIGNS MANUAL



SCALE 1:5

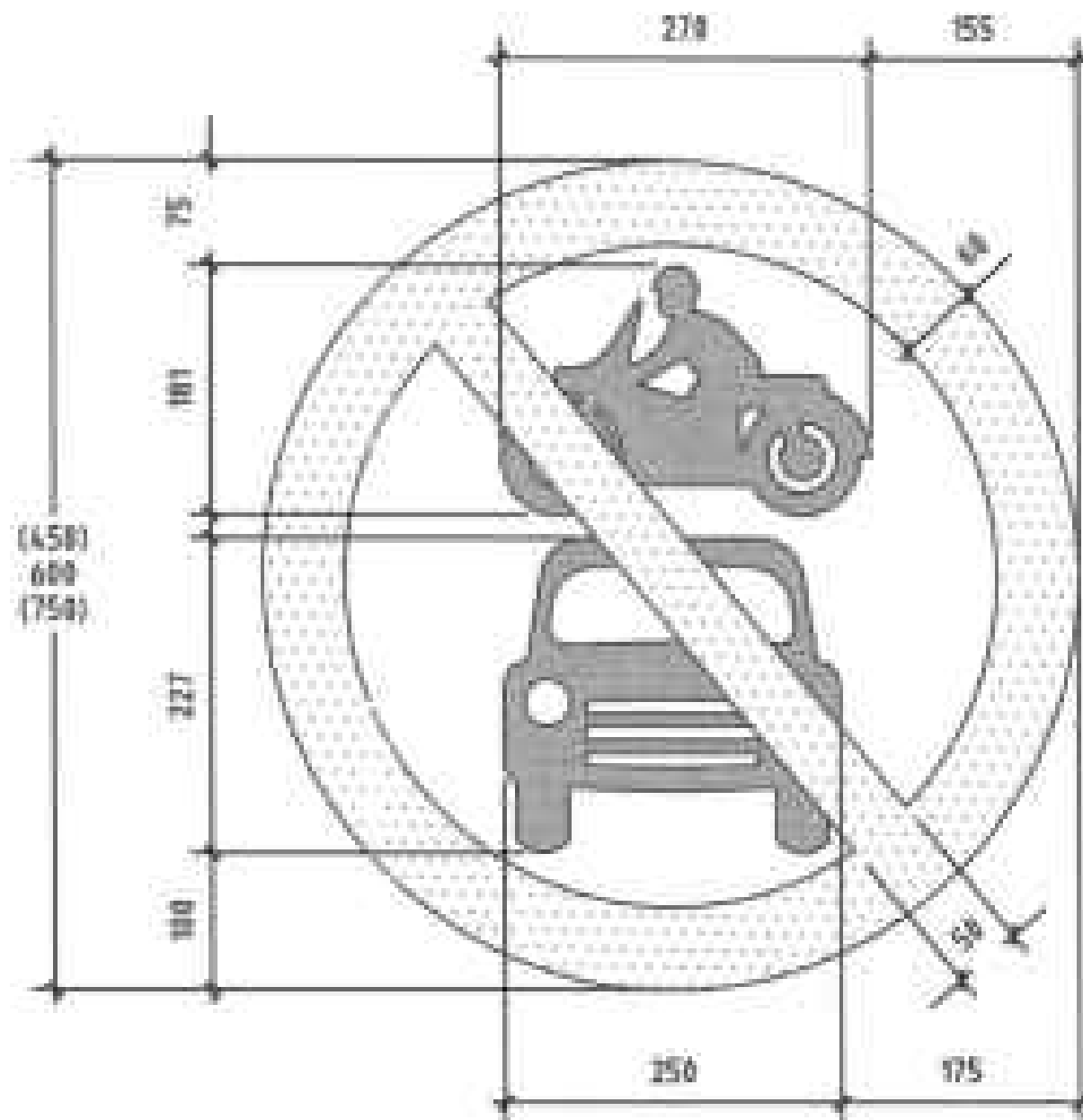
Notes -

1. If using alternative overall sign dimensions, shown in brackets, the other sign dimensions must be varied proportionally.
2. All dimensions shown in millimetres

Colours -

 RED
 WHITE

Department of Roads TRAFFIC SIGNS MANUAL	Title :- NO MOTOR VEHICLES	Drawing No. :- A4
--	--------------------------------------	-----------------------------



SCALE 1:5

Notes :-

1. If using alternative overall sign dimensions, shown in brackets, the other sign dimensions must be varied proportionally.
2. All dimensions shown in millimetres

Colours :-

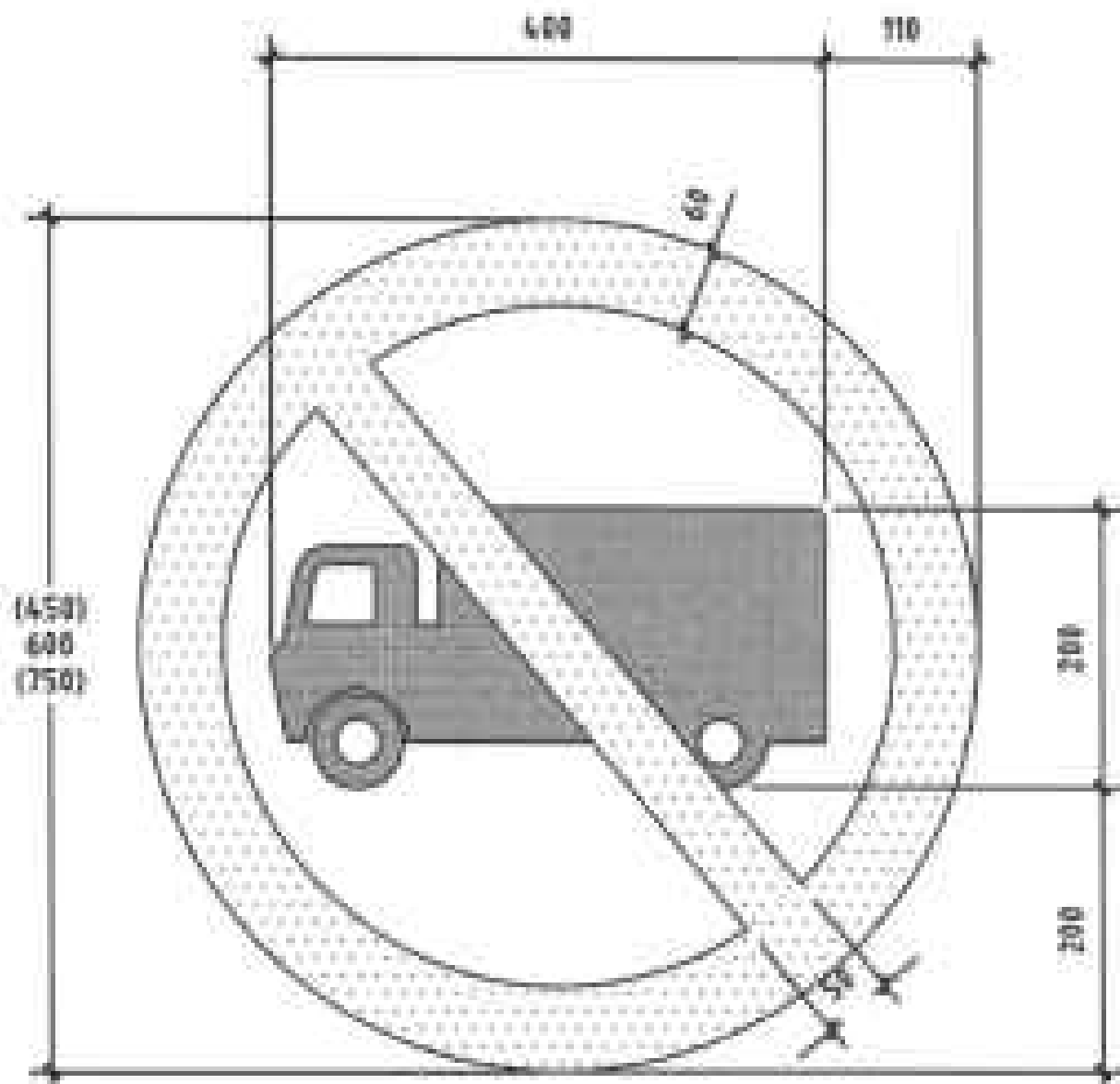
-  BLACK
-  RED
-  WHITE

Department of Roads

Title --
NO TRUCKS

Drawing No. --
A5

TRAFFIC SIGNS MANUAL



SCALE 1:5

Notes --

1. If using alternative overall sign dimensions, shown in brackets, the other sign dimensions must be varied proportionally.
2. All dimensions shown in millimetres

Colours --

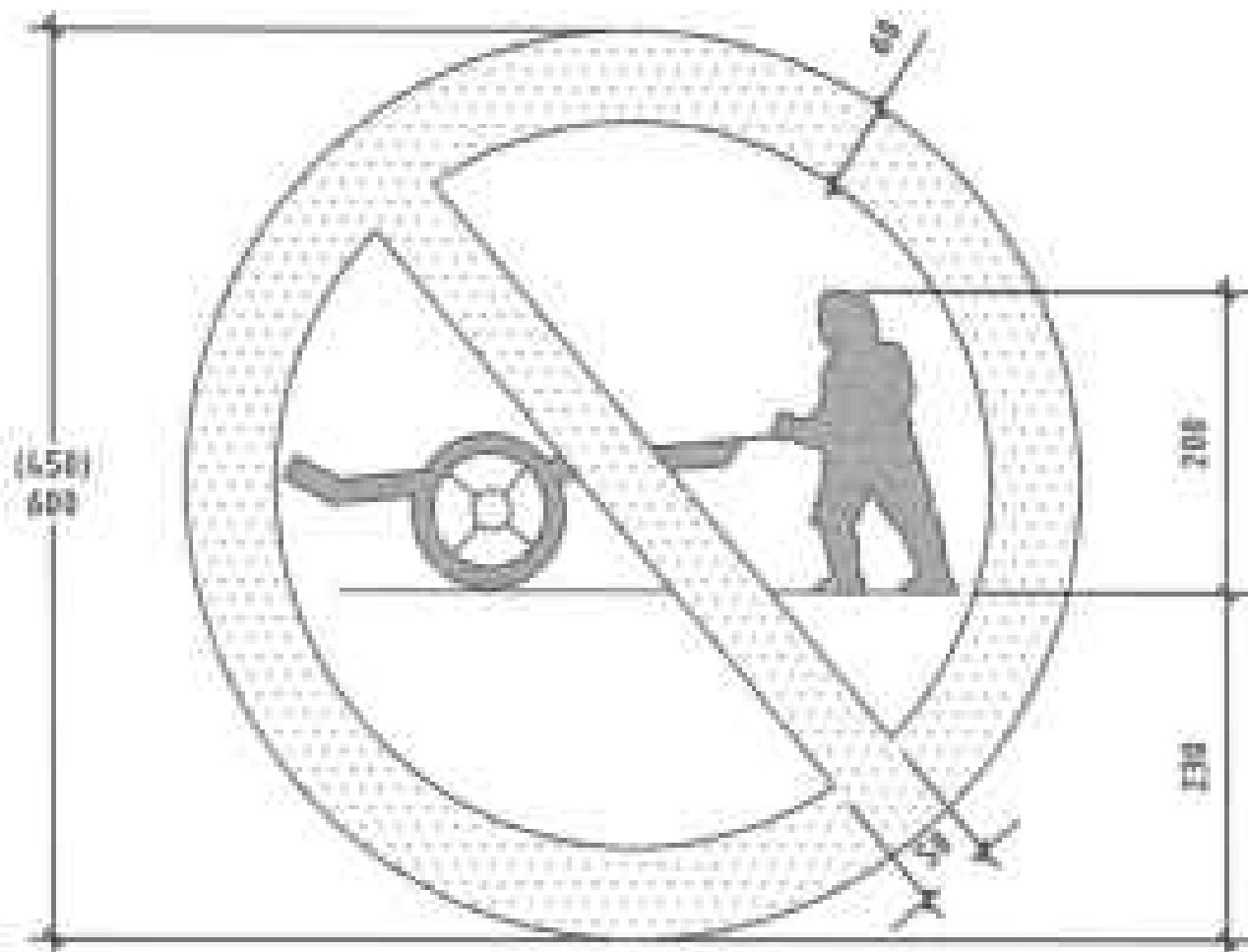
- BLACK
- RED
- WHITE

Department of Roads

Title -
NO HANDCARTS

Drawing No. -
A6

TRAFFIC SIGNS MANUAL



SCALE 1:5

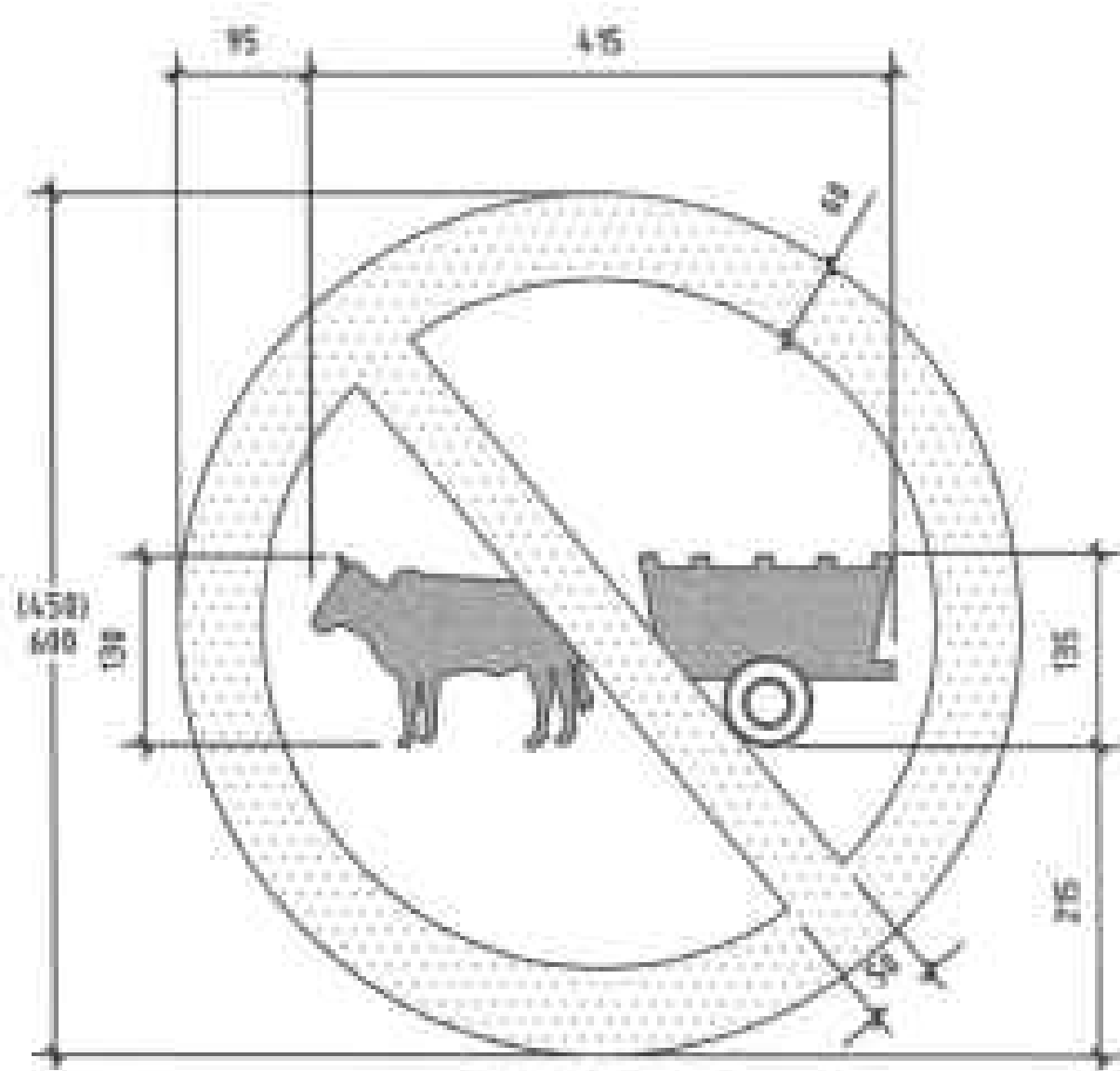
Notes -

1. If using alternative overall sign dimensions, shown in brackets, the other sign dimensions must be varied proportionally.
2. All dimensions shown in millimetres.

Colors -

- BLACK
- RED
- WHITE

Department of Roads	Title — NO ANIMAL DRAWN VEHICLES	Drawing No. — AT
TRAFFIC SIGNS MANUAL		



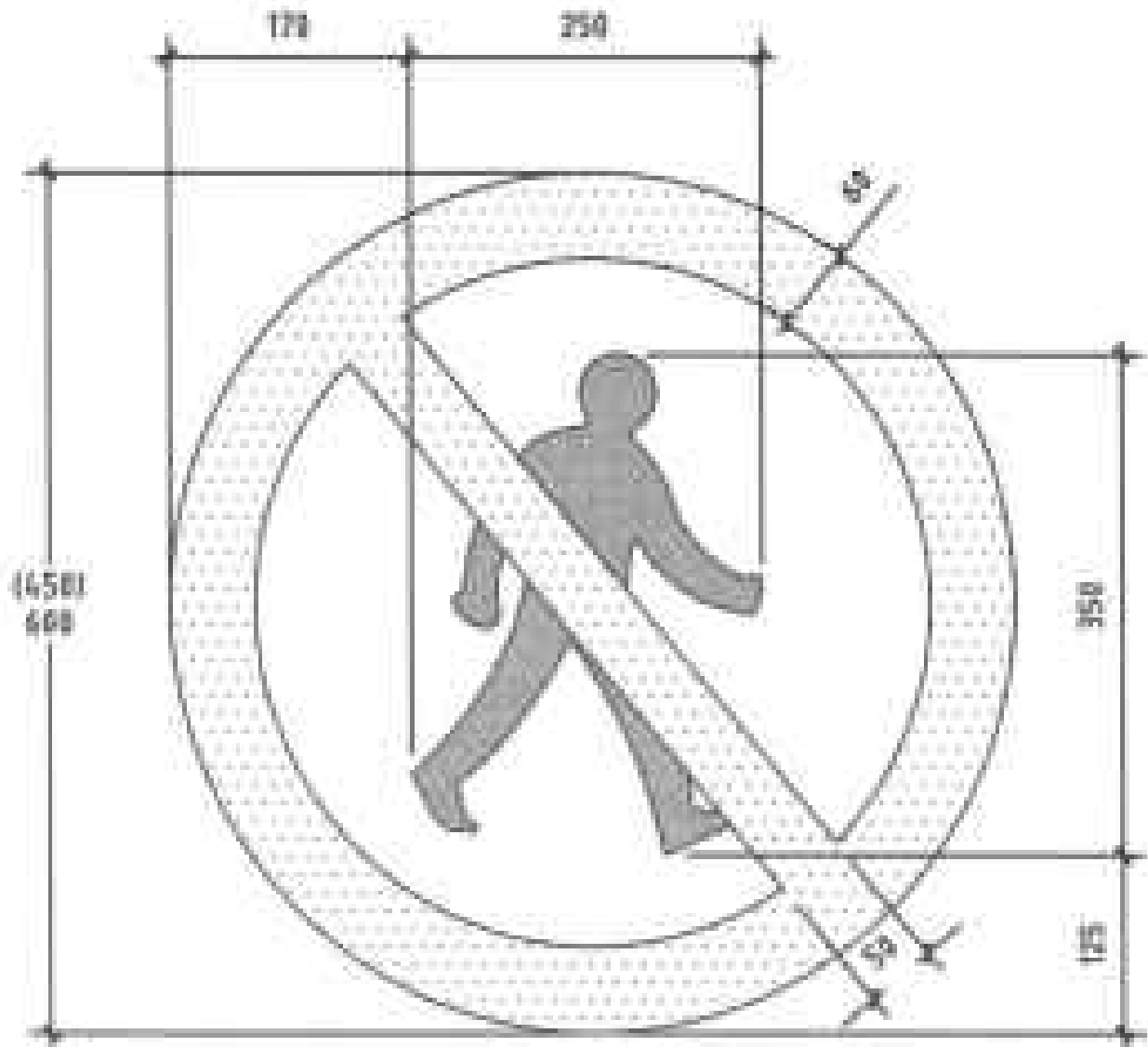
SCALE 1:5

Notes —
 1. If using alternatives overall sign dimensions, shown in brackets, the other sign dimensions must be varied proportionally.
 2. All dimensions shown in millimetres.

Colours —

	BLACK
	RED
	WHITE

Department of Roads	Title :- NO PEDESTRIANS	Drawing No. :- AR
TRAFFIC SIGNS MANUAL		



SCALE 1:5

Notes :-
 1. If using alternative overall sign dimensions, shown in brackets, the other sign dimensions must be varied proportionally.
 2. All dimensions shown in millimetres

Colours :-

■	BLACK
■	RED
■	WHITE

Department of Roads

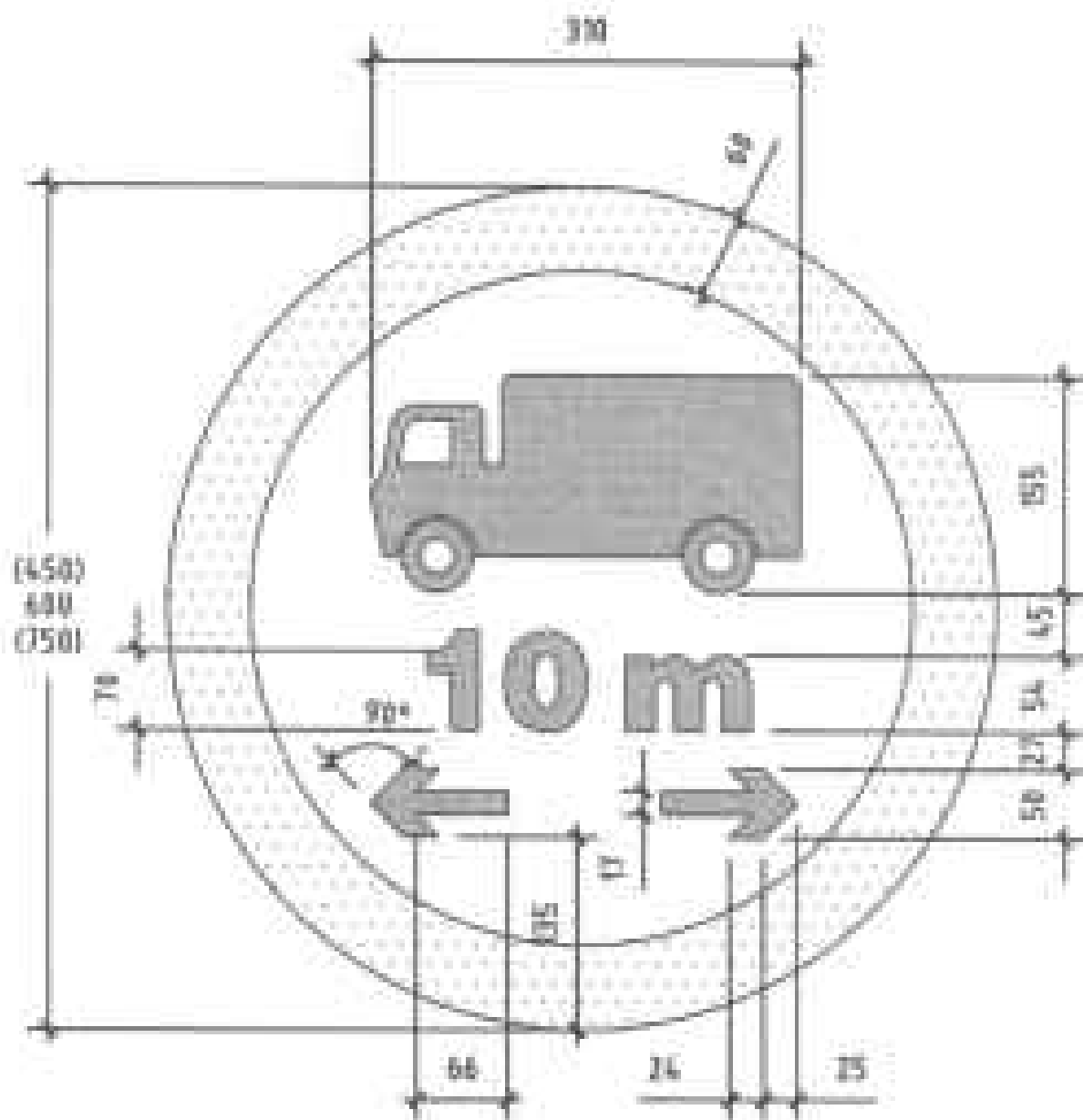
Title —

NO VEHICLES OVER-
LENGTH SHOWN

Drawing No. —

A9

TRAFFIC SIGNS MANUAL



SCALE 1:5

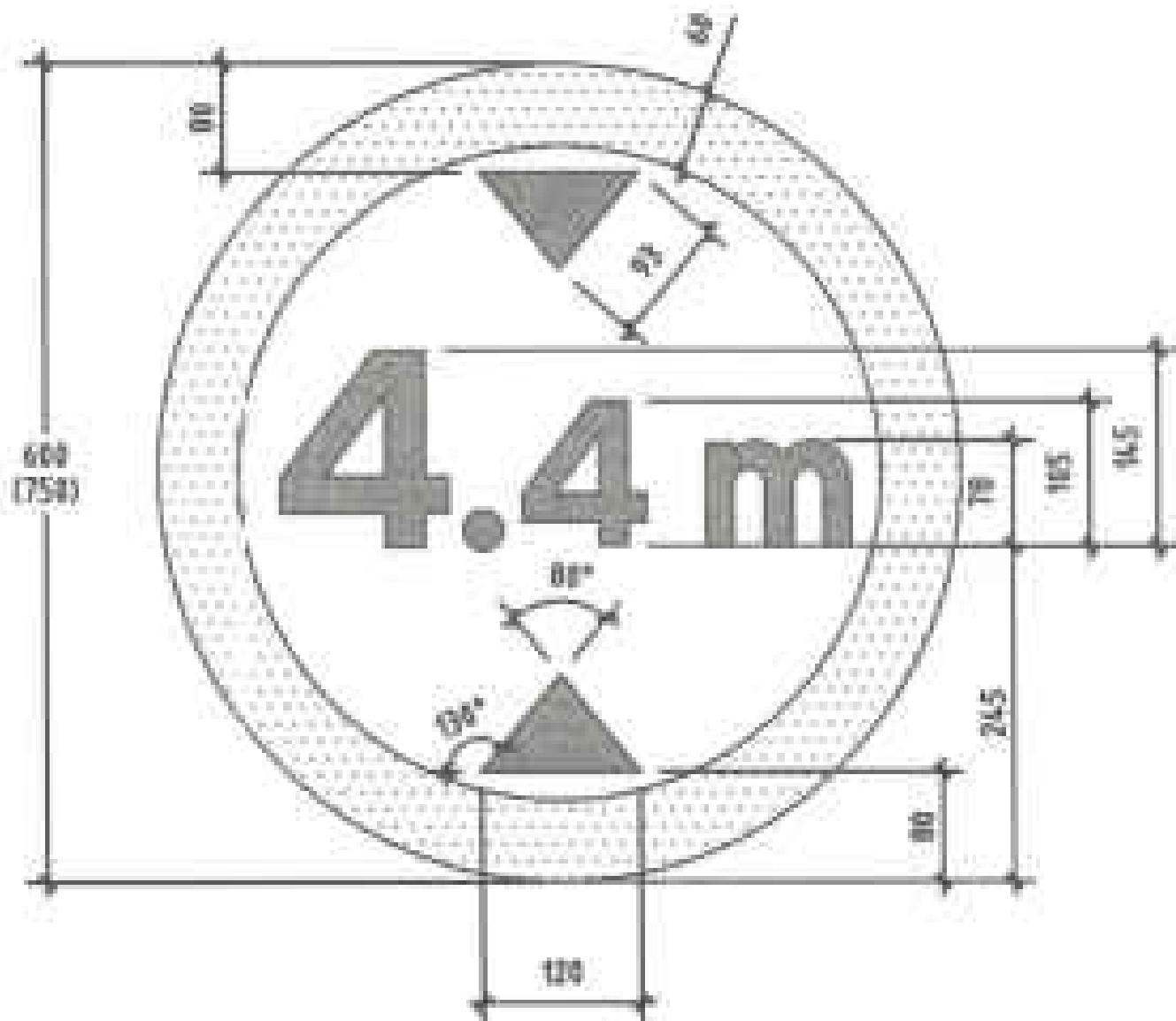
Notes —

1. If using alternative overall sign dimensions, shown in brackets, the other sign dimensions must be varied proportionally.
2. All dimensions shown in millimetres.

Colours —

- BLACK
- RED
- WHITE

Department of Roads	Title - NO VEHICLES OVER HEIGHT SHOWN	Drawing No. - A10
TRAFFIC SIGNS MANUAL		



SCALE 1:5

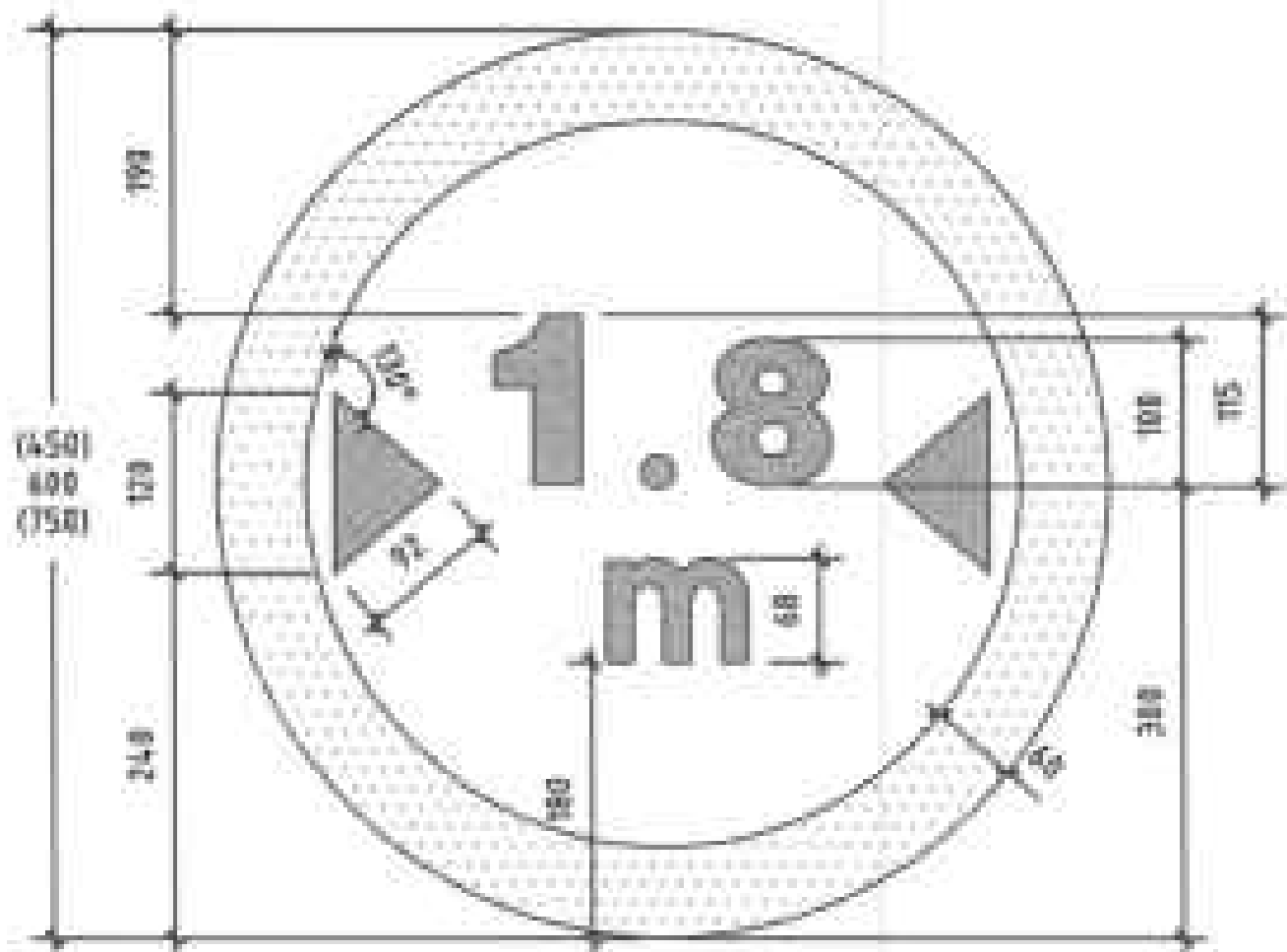
Notes -

1. If using alternative overall sign dimensions, shown in brackets, the other sign dimensions must be varied proportionally.
2. All dimensions shown in millimetres

Colors -

- BLACK
- RED
- WHITE

Department of Roads	Title :- NO VEHICLES OVER WIDTH SHOWN	Drawing No. :- A11
TRAFFIC SIGNS MANUAL		



SCALE 1:5

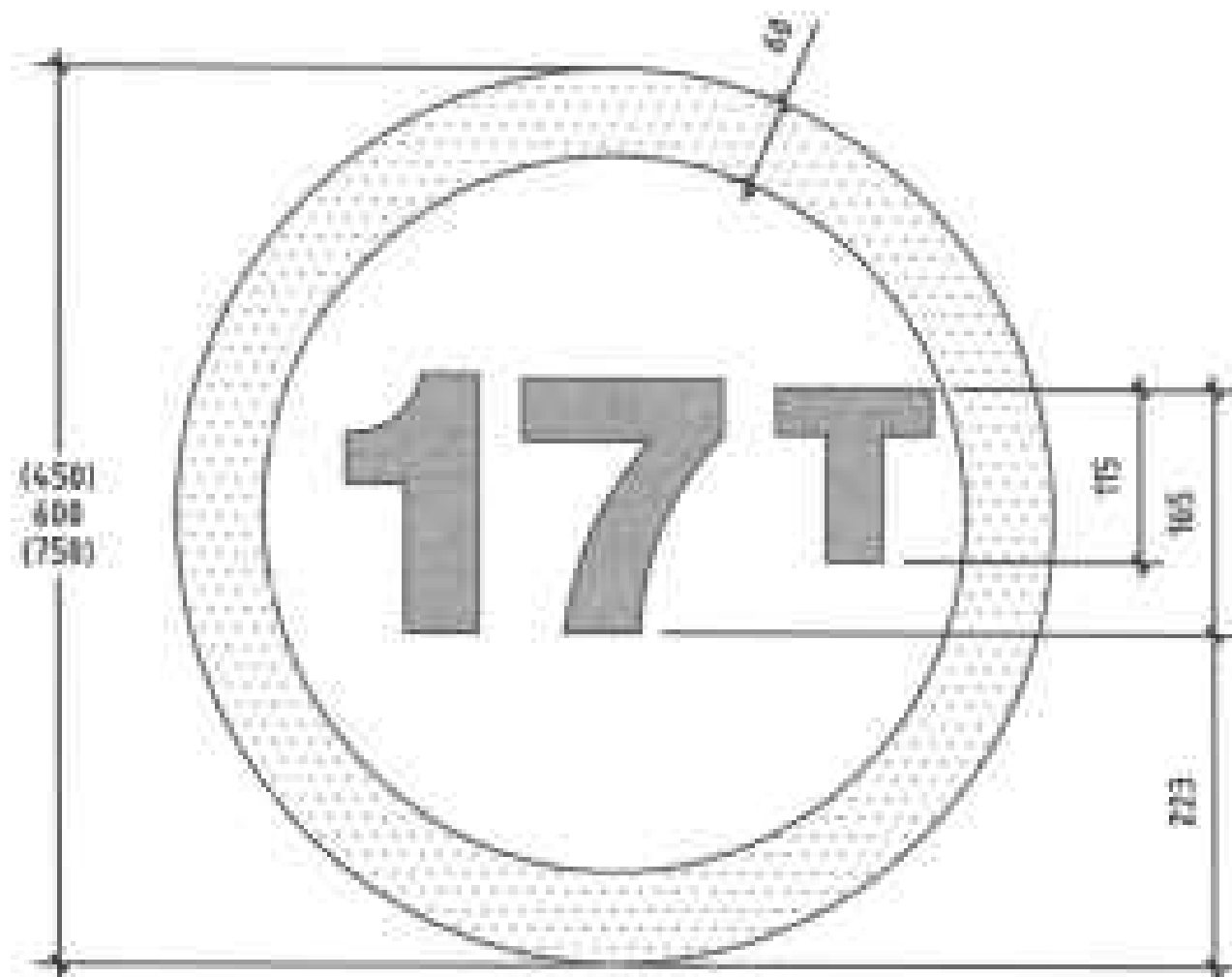
Notes :-

1. If using alternative overall sign dimensions, shown in brackets, the other sign dimensions must be varied proportionally.
2. All dimensions shown in millimetres

Colours :-

- BLACK
- RED
- WHITE

Department of Roads	Title — NO VEHICLES OVER MAXIMUM GROSS WEIGHT SHOWN	Drawing No. — A12
TRAFFIC SIGNS MANUAL		



SCALE 1:5

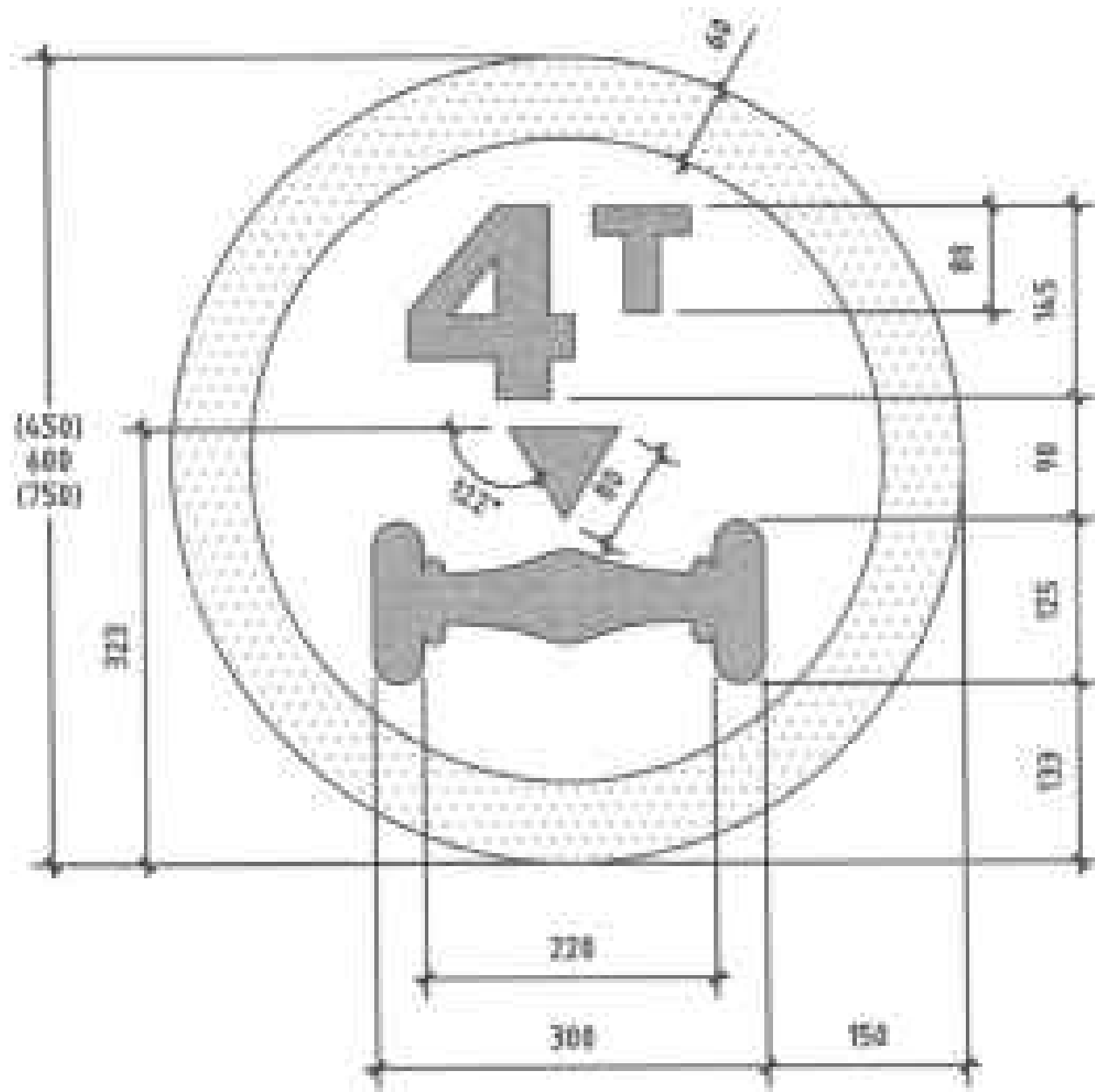
Notes —

1. If using alternative overall sign dimensions, shown in brackets, the other sign dimensions must be varied proportionally.
2. All dimensions shown in millimetres.

Colours —

- BLACK
- RED
- WHITE

Department of Roads	Title :- AXLE WEIGHT LIMIT	Drawing No. :- A13
TRAFFIC SIGNS MANUAL		



SCALE 1:5

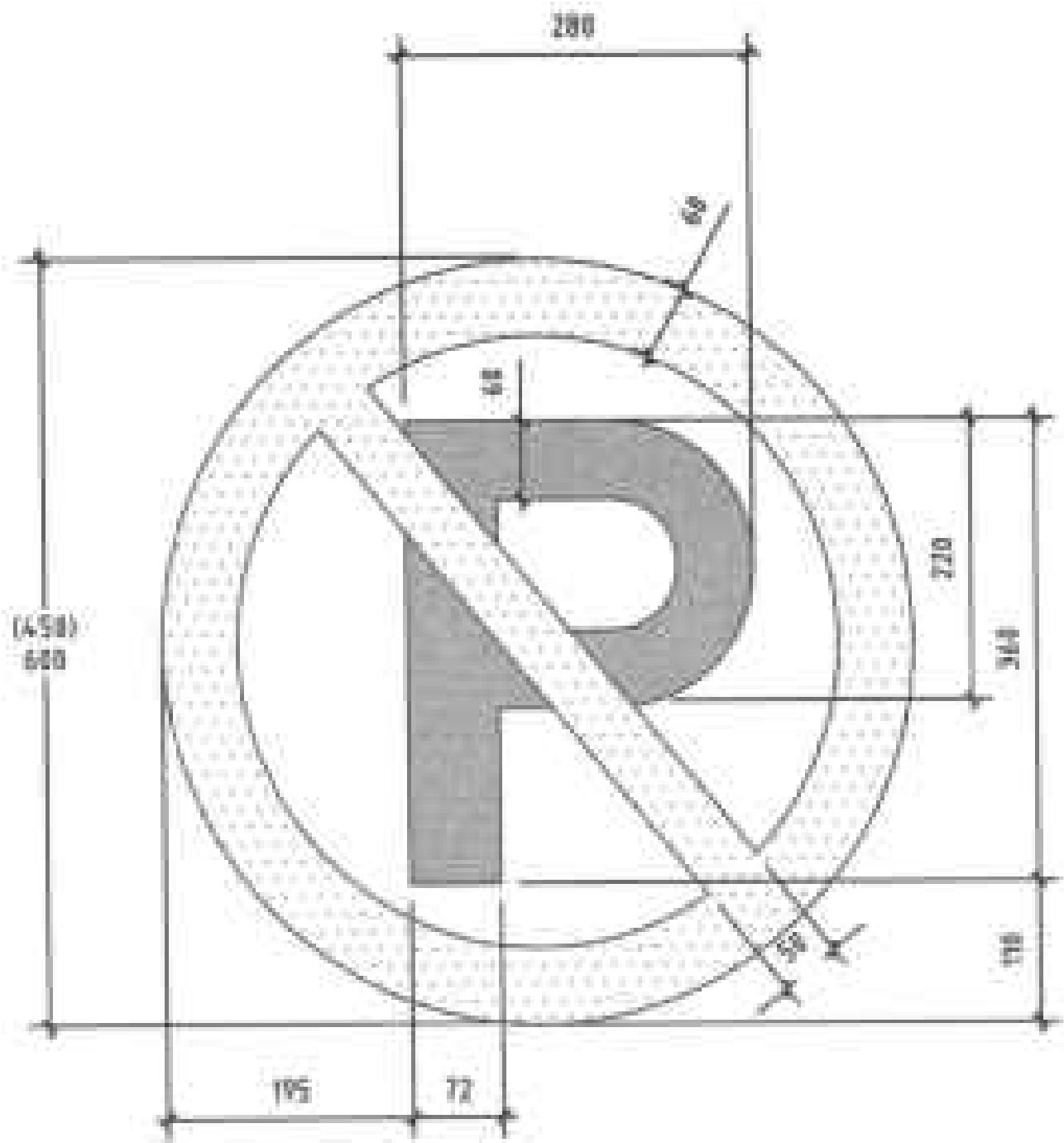
Notes :-

1. If using alternative overall sign dimensions, shown in brackets, the other sign dimensions must be varied proportionally.
2. All dimensions shown in millimetres

Colours :-

-  BLACK
-  RED
-  WHITE

Department of Roads	Title :- NO PARKING	Drawing No. :- A14
TRAFFIC SIGNS MANUAL		



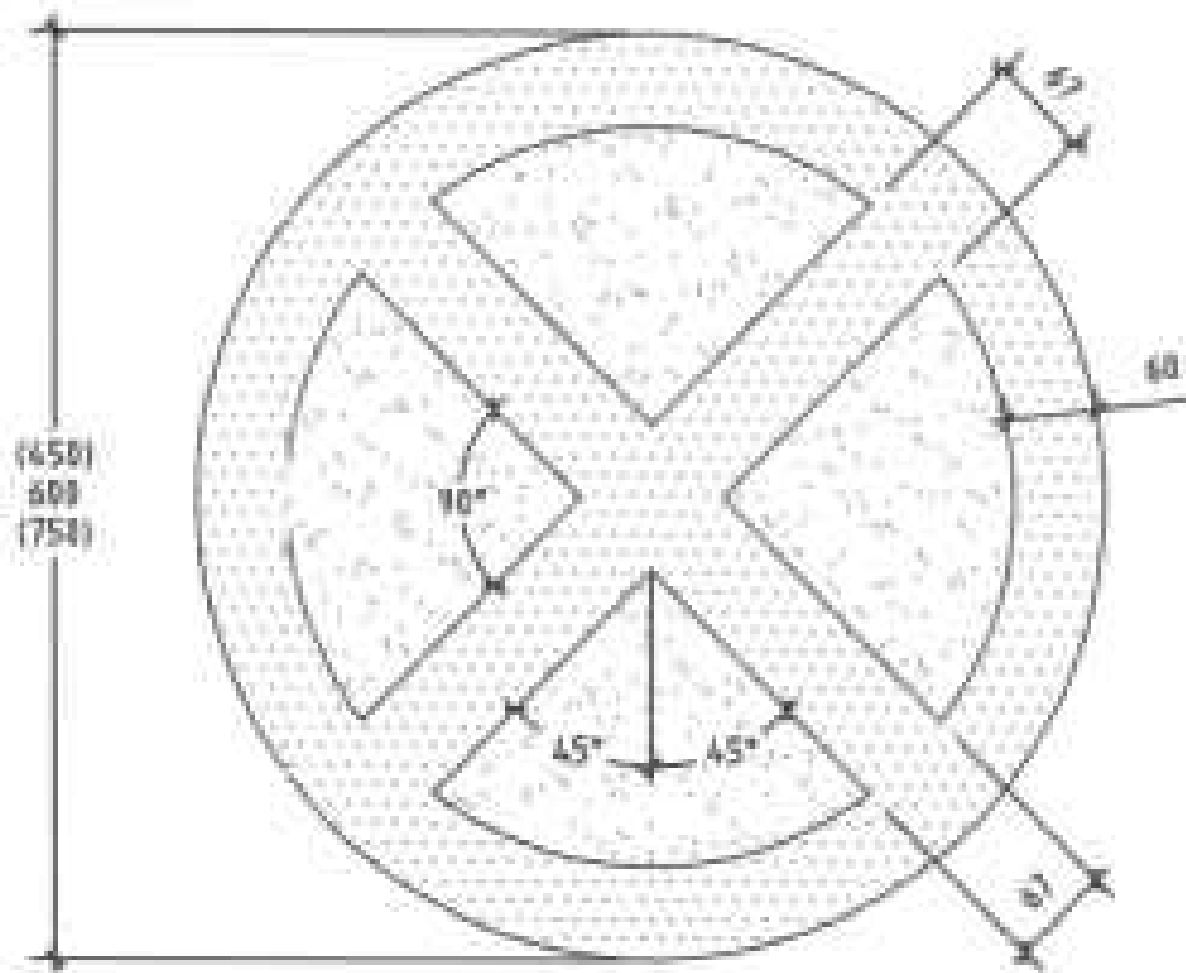
SCALE 1:5

Notes :-
 1. If using alternative overall sign dimensions, shown in brackets, the other sign dimensions must be varied proportionally.
 2. All dimensions shown in millimetres

Colors :-

	BLACK
	RED
	WHITE

Department of Roads	Title — NO STOPPING	Drawing No. — A15
TRAFFIC SIGNS MANUAL		



SCALE 1:5

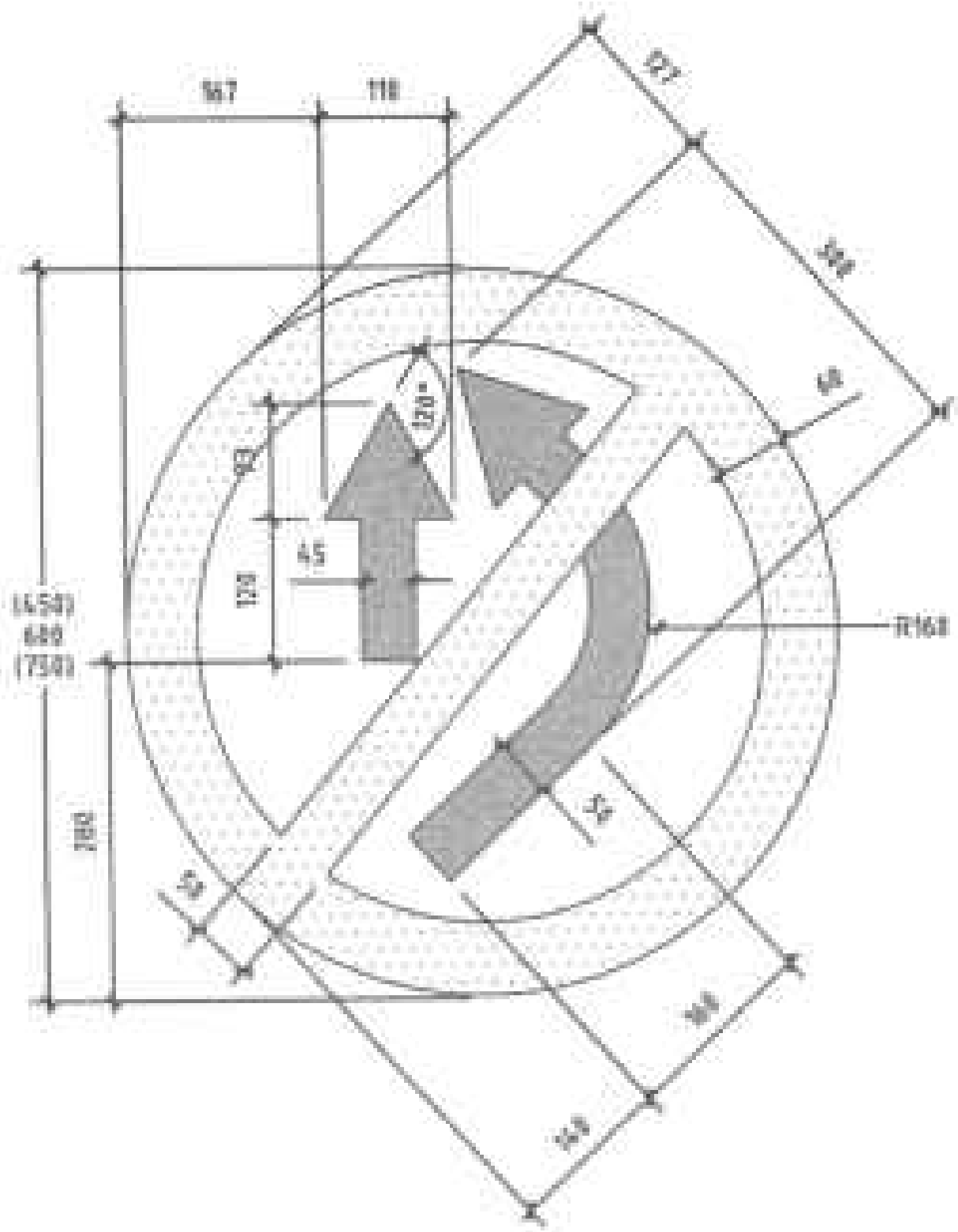
Notes —

1. If using alternative overall sign dimensions, shown in brackets, the other sign dimensions must be varied proportionally.
2. All dimensions shown in millimetres.

Colours —



Department of Roads	Title :- NO OVERTAKING	Drawing No. :- A15
TRAFFIC SIGNS MANUAL		



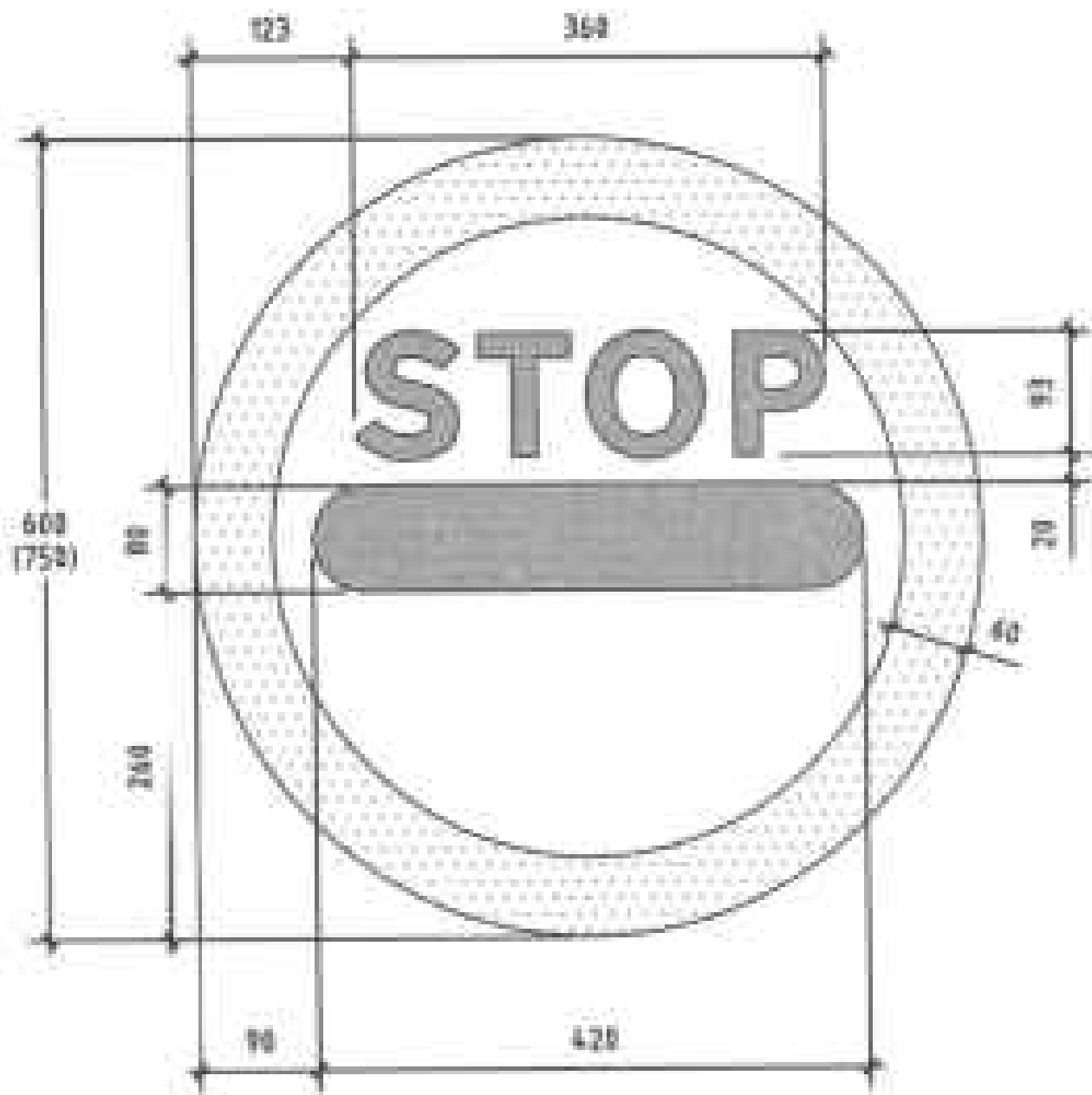
SCALE 1:5

Notes :-
 1. If using alternative overall sign dimensions, shown in brackets, the other sign dimensions must be varied proportionately.
 2. All dimensions shown in millimetres

Colours :-

	WHITE
	RED
	BLACK

Department of Roads	Title :- NO PASSING WITHOUT STOPPING	Drawing No. :- A17
TRAFFIC SIGNS MANUAL		



SCALE 1:5

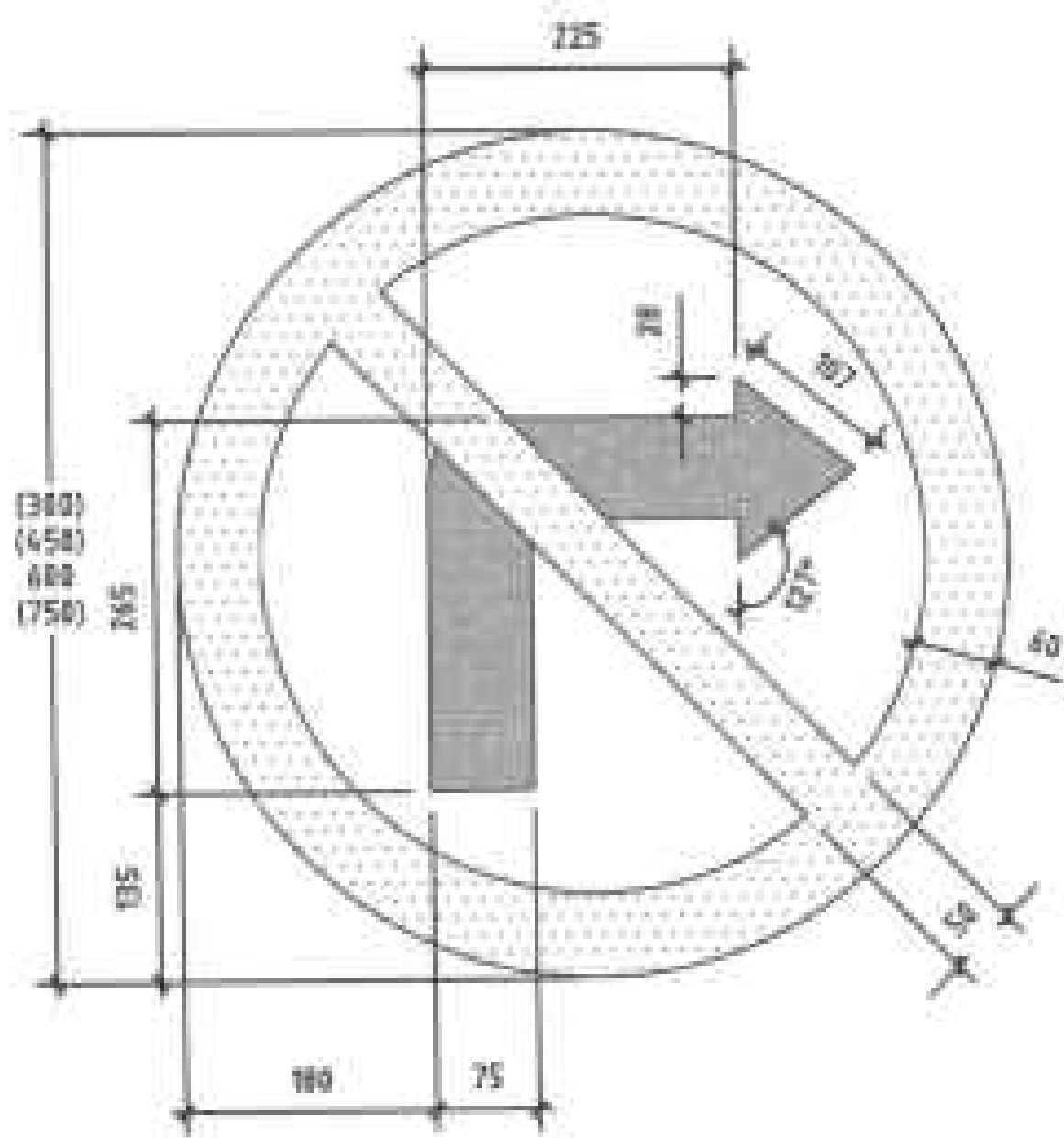
Notes :-

1. If using alternative overall sign dimensions, shown in brackets, the other sign dimensions must be varied proportionally.
2. All dimensions shown in millimetres.

Colours :-

□	WHITE
▨	RED
■	BLACK

Department of Roads	Title :- NO RIGHT TURN	Drawing No. :- A18
TRAFFIC SIGNS MANUAL		



SCALE 1:5

Notes :-

1. If using alternative overall sign dimensions, shown in brackets, the other sign dimensions must be varied proportionally.
2. All dimensions shown in millimetres

Colours :-

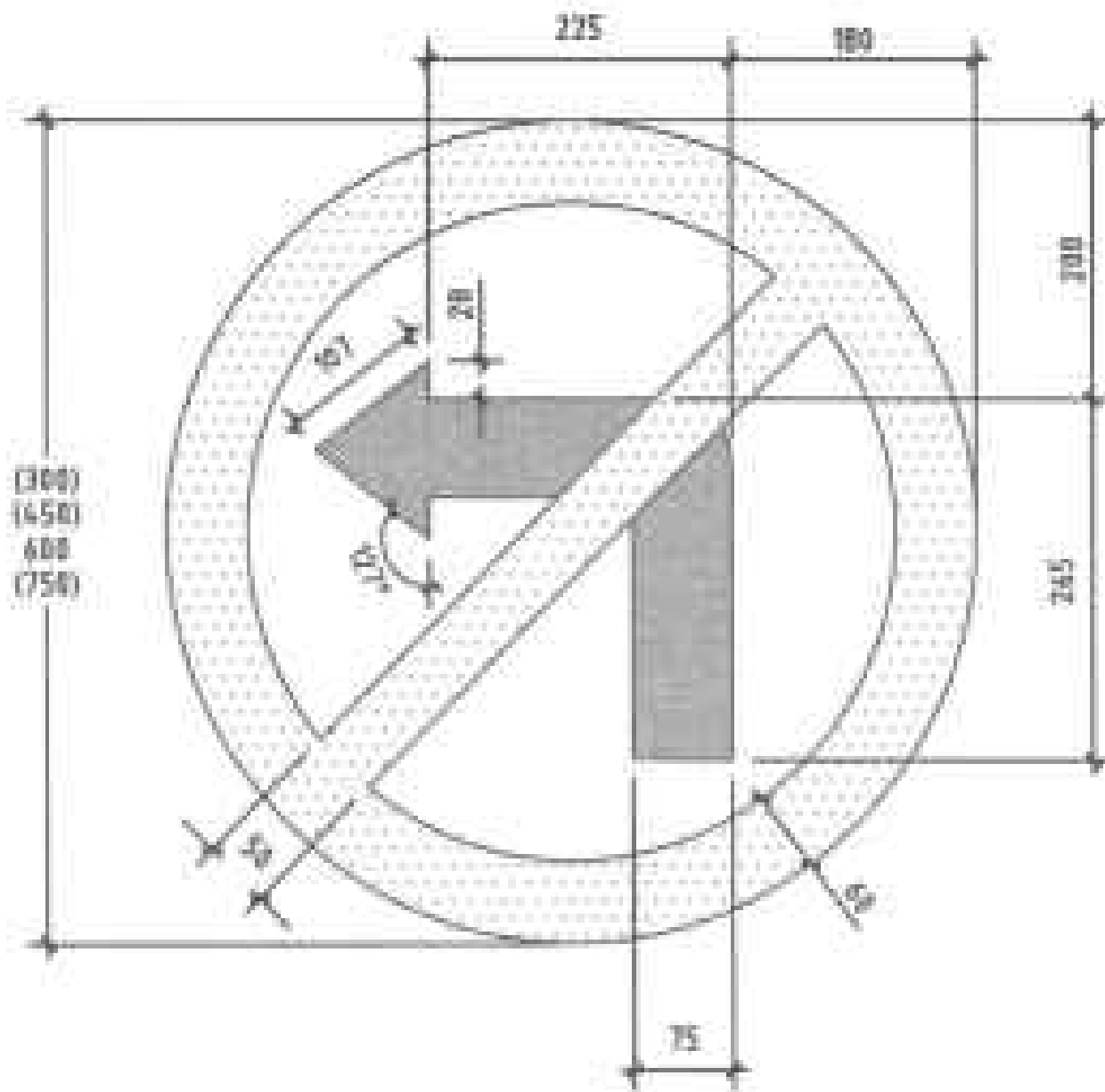
- WHITE
- RED
- BLACK

Department of Roads

Title —
NO LEFT TURN

Drawing No. —
A19

TRAFFIC SIGNS MANUAL



SCALE 1:5

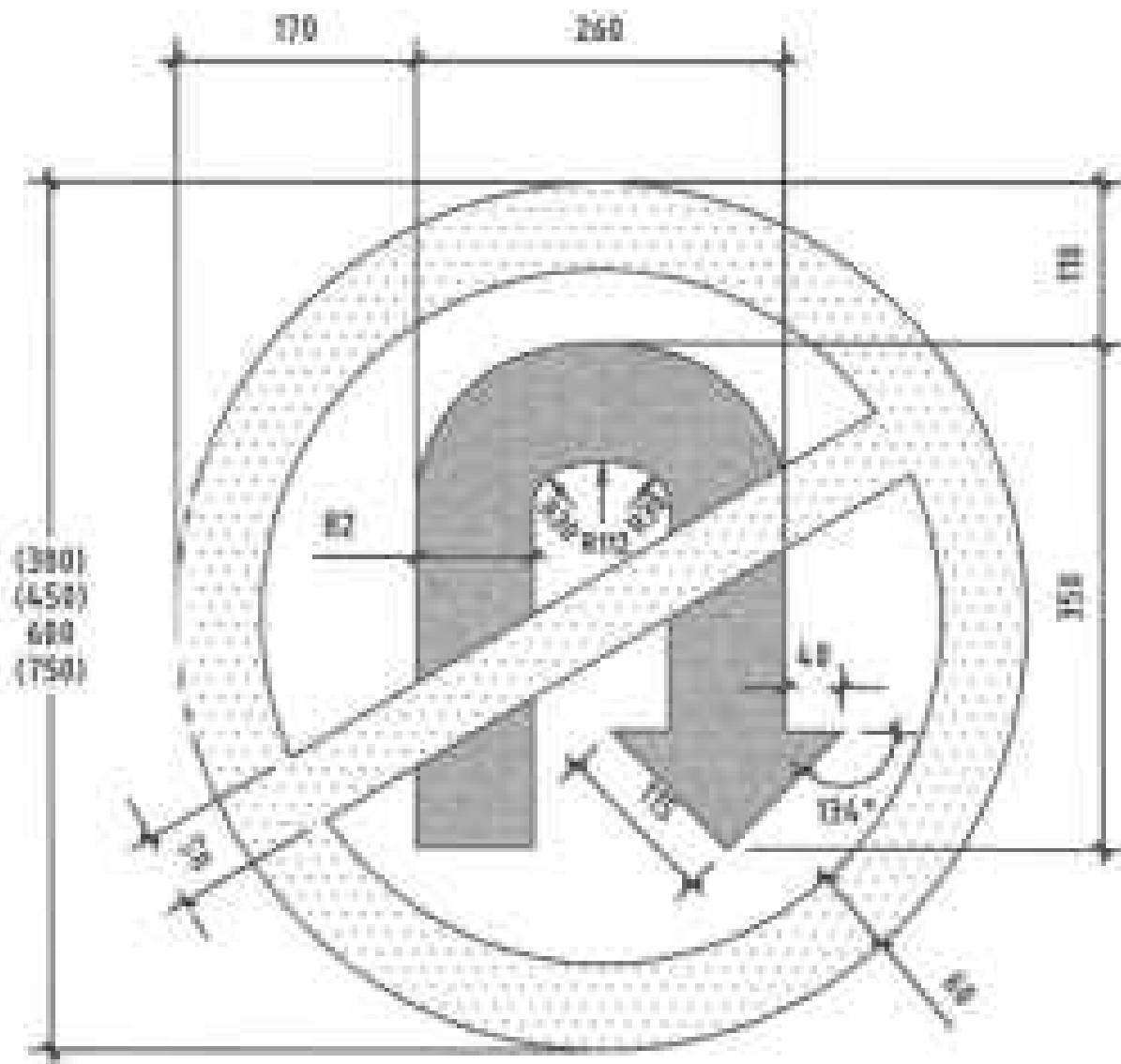
Notes —

1. If using alternative overall sign dimensions, shown in brackets, the other sign dimensions must be varied proportionally.
2. All dimensions shown in millimetres

Colours —

- WHITE
- RED
- BLACK

Department of Roads	Title :- NO U-TURNS	Drawing No. :- A20
TRAFFIC SIGNS MANUAL		



SCALE 1:5

Notes :-

1. If using alternative overall sign dimensions, shown in brackets, the other sign dimensions must be varied proportionally.
2. All dimensions shown in millimetres

Colours :-

[White box]	WHITE
[Red box]	RED
[Black box]	BLACK

Department of Roads

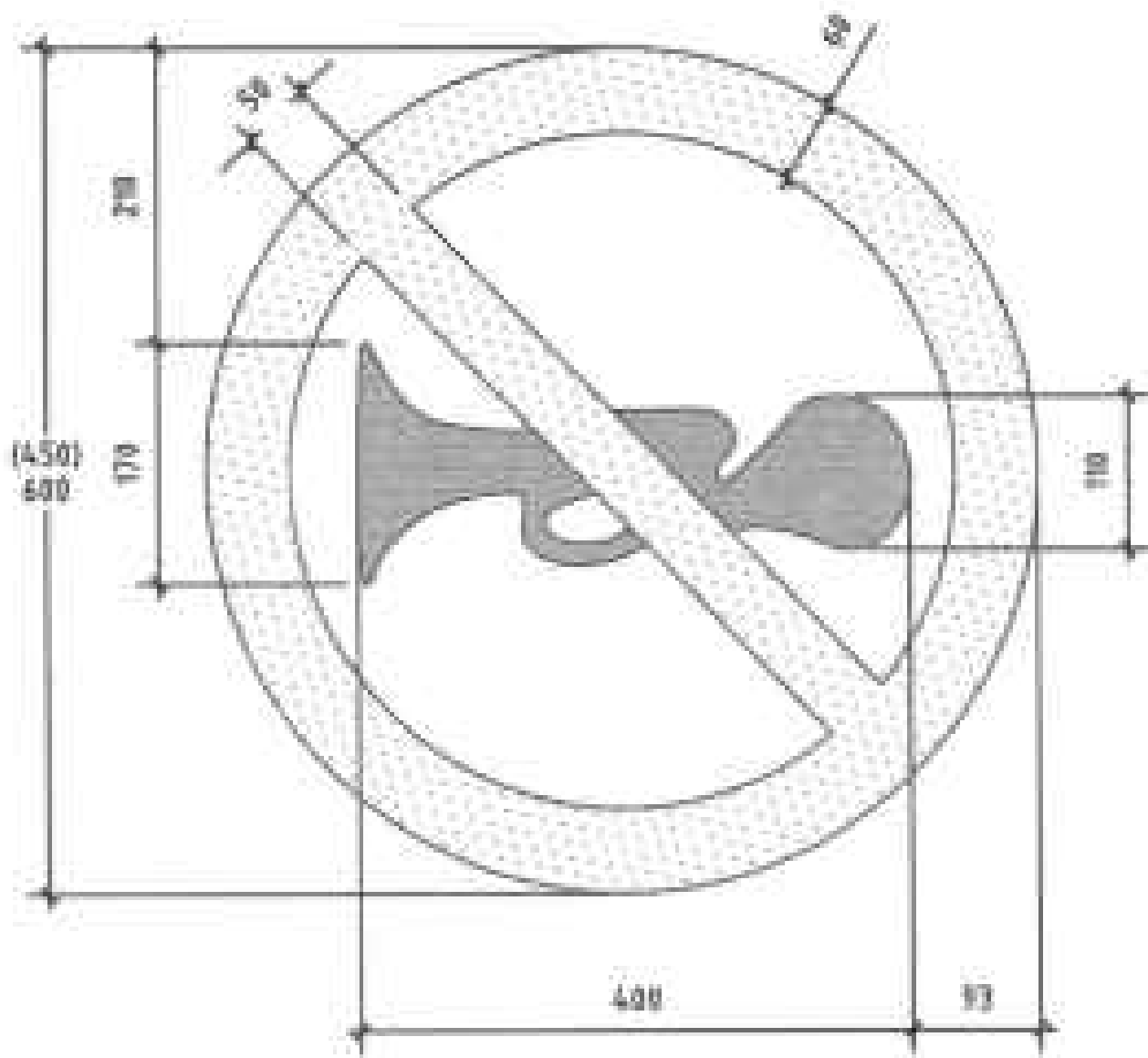
Title :-

NO USE OF HORN

Drawing No. :-

A21

TRAFFIC SIGNS MANUAL



SCALE: 1:5

Notes :-

1. If using alternative overall sign dimensions, shown in brackets, the other sign dimensions must be varied proportionally.
2. All dimensions shown in millimetres

Colours :-

- WHITE
- RED
- BLACK

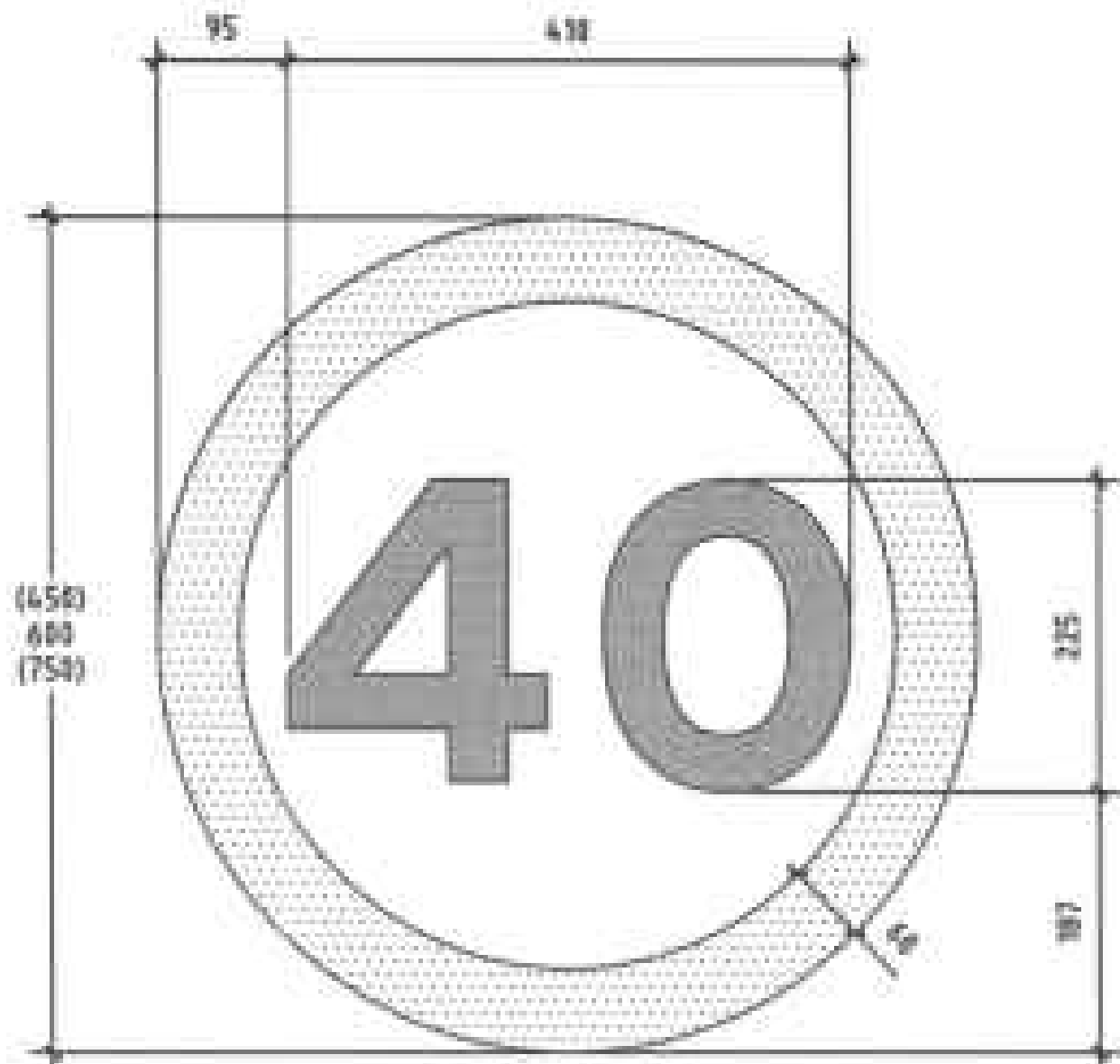
Department of Roads

Title ->
MAXIMUM SPEED

Drawing No. -

A22

TRAFFIC SIGNS MANUAL



SCALE 1:5

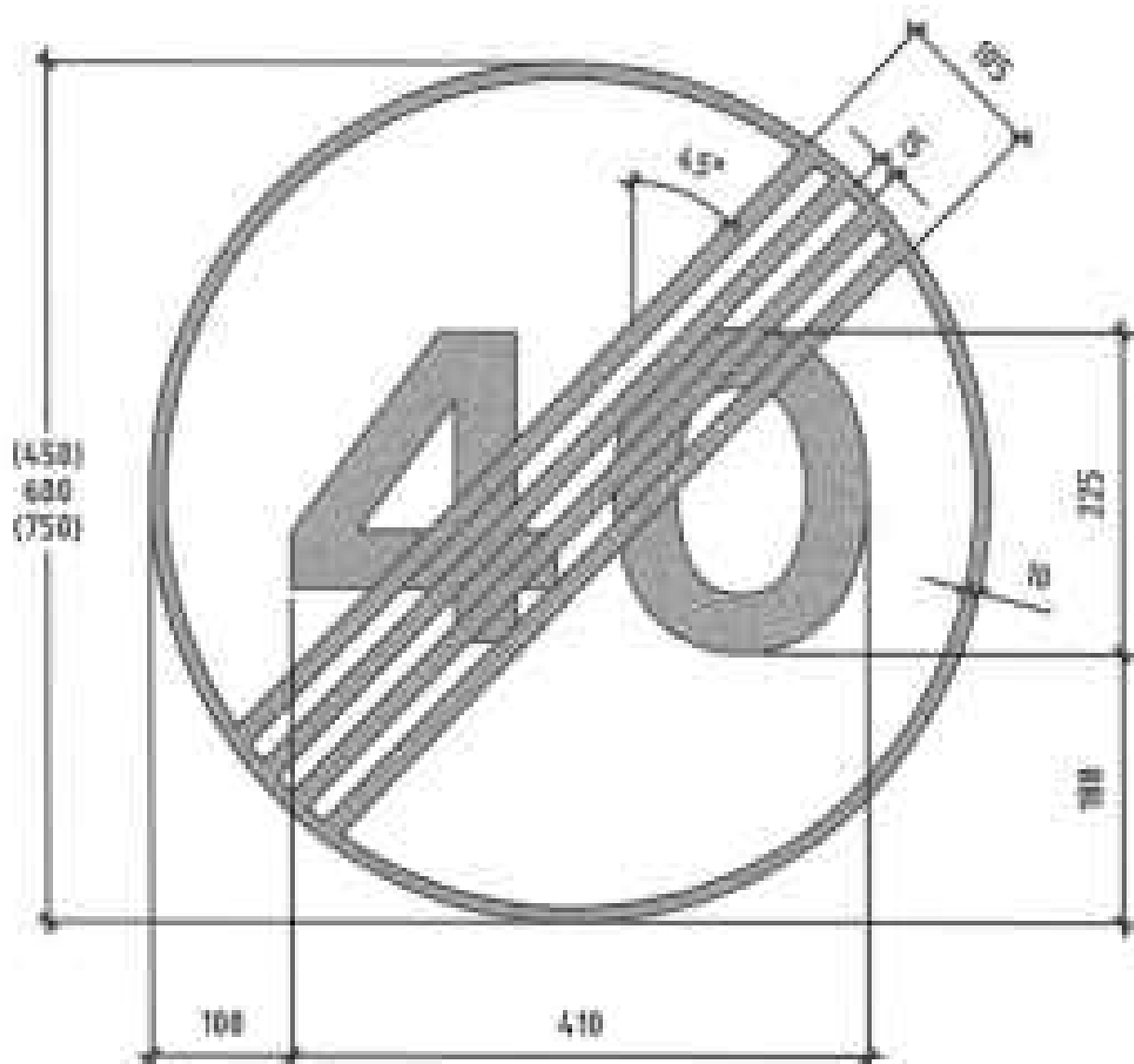
Notes -

1. If using alternative overall sign dimensions, shown in brackets, the other sign dimensions must be varied proportionally.
2. All dimensions shown in millimetres.

Colours -

- WHITE
- BLACK
- RED

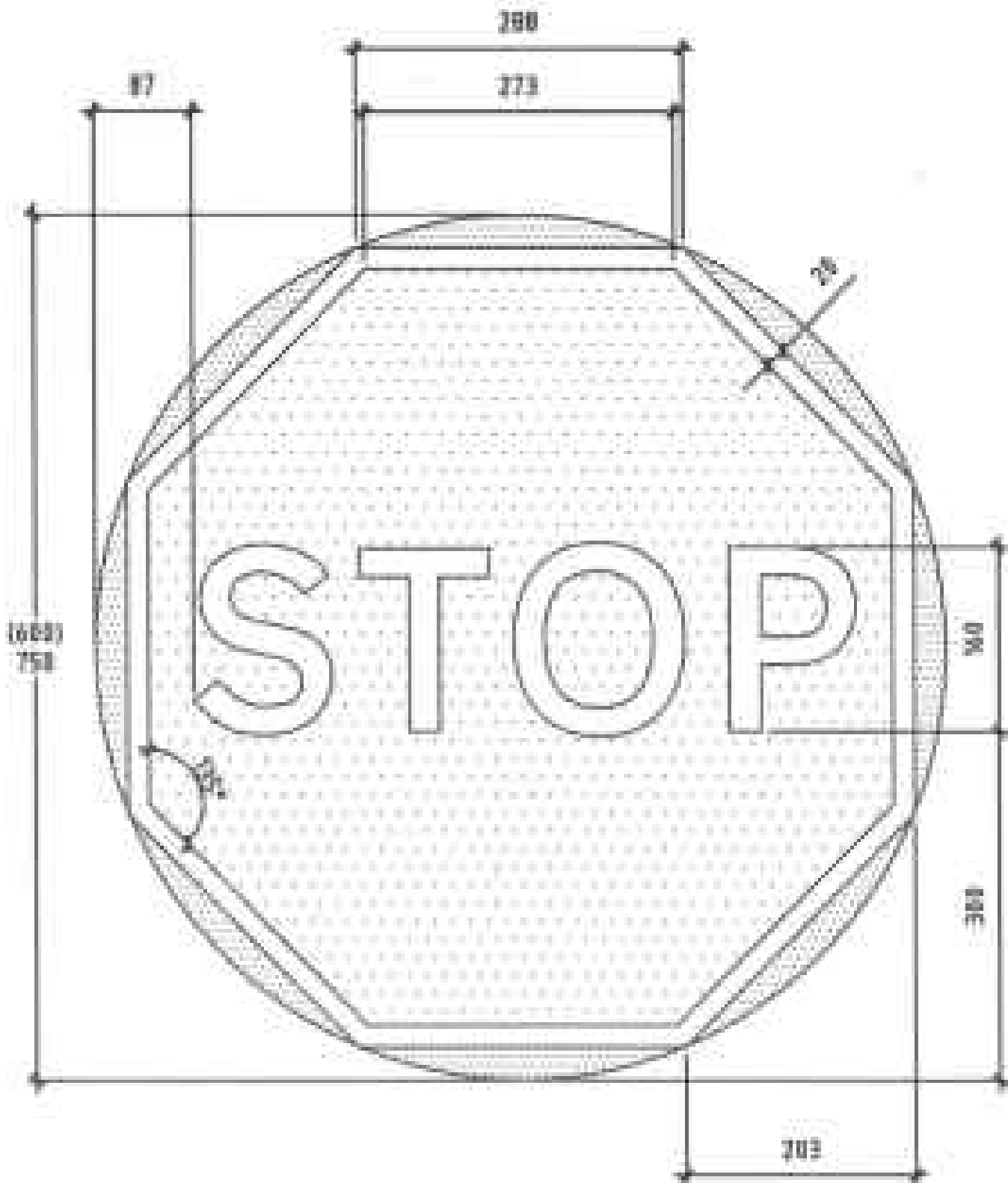
Department of Roads	Title :- END OF SPEED RESTRICTION	Drawing No. :- A23
TRAFFIC SIGNS MANUAL		



SCALE 1:5

<p>Notes :-</p> <ol style="list-style-type: none"> 1. If using alternative overall sign dimensions, shown in brackets, the other sign dimensions must be varied proportionally. 2. All dimensions shown in millimetres. 	<p>Colours :-</p> <p> WHITE</p> <p> BLACK</p>
---	---

Department of Roads	Title :- TEMPORARY 'STOP' SIGN	Drawing No. :- A24
TRAFFIC SIGNS MANUAL		



SCALE 1:5

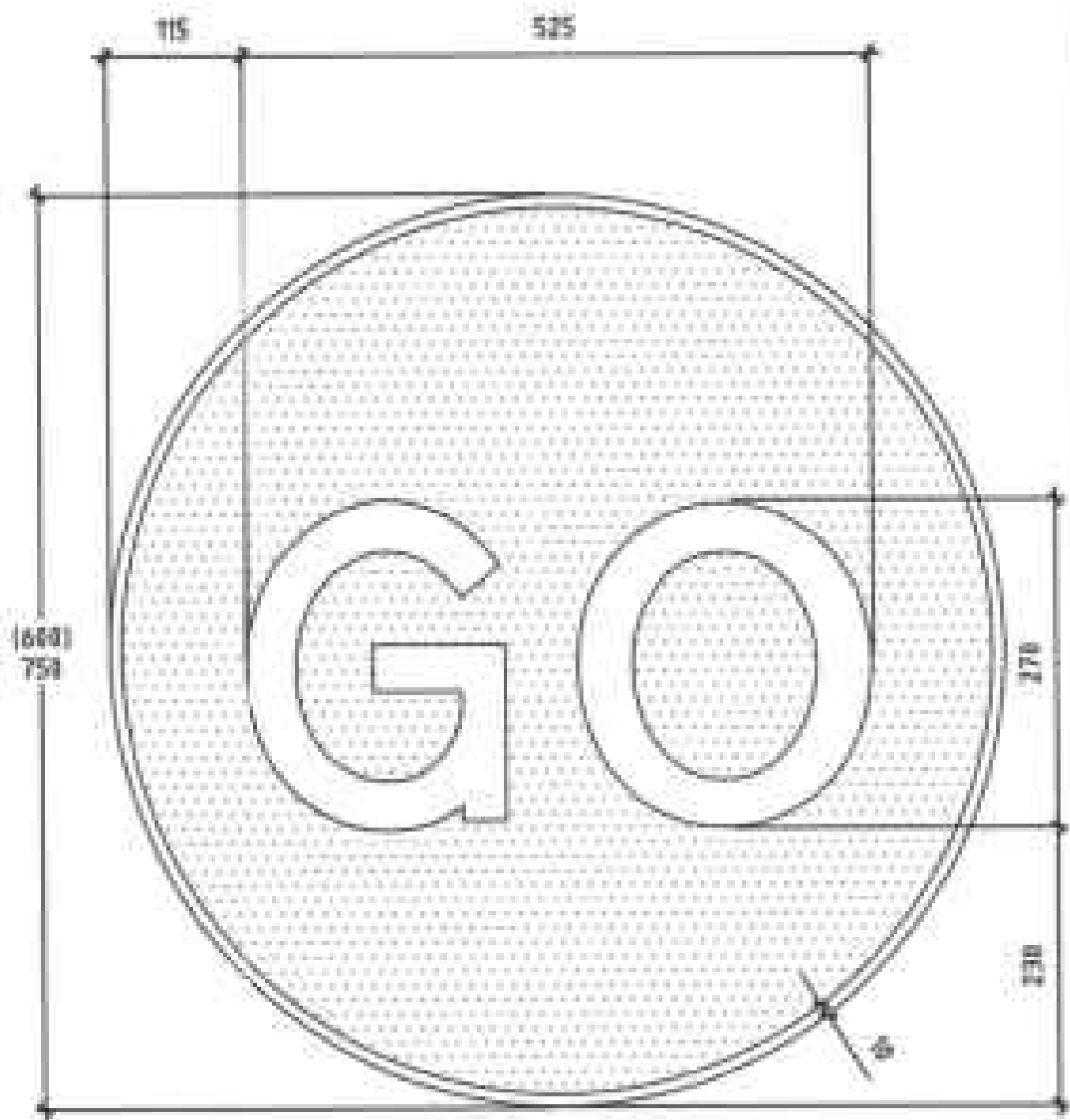
Notes :-

1. If using alternative overall sign dimensions, shown in brackets, the other sign dimensions must be varied proportionally.
2. All dimensions shown in millimetres.

Colours :-

- WHITE
- RED
- GREY

Department of Roads	Title - TEMPORARY 'GO' SIGN	Drawing No. - A25
TRAFFIC SIGNS MANUAL		

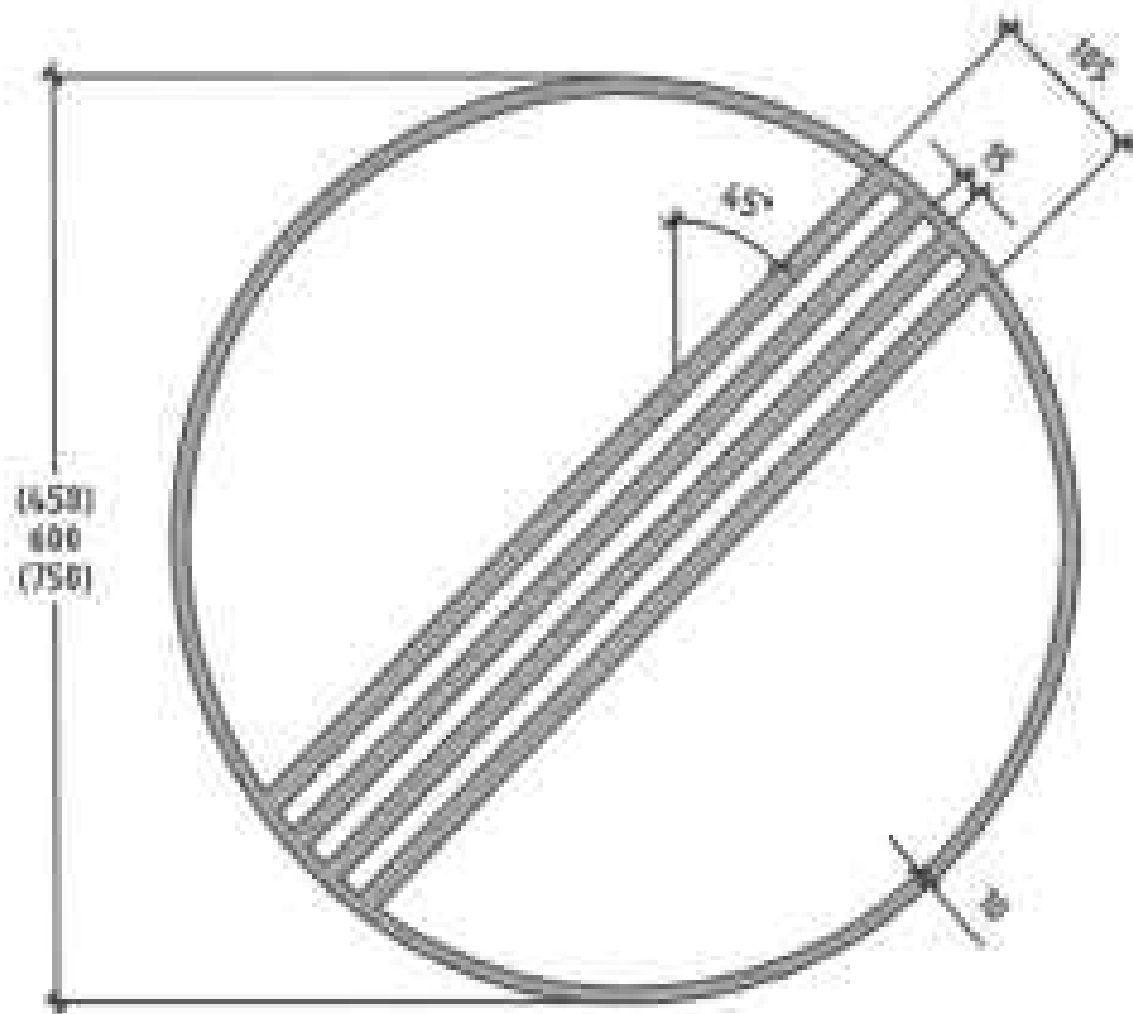


SCALE 1:5

Notes -
 1. If using alternative overall sign dimensions, shown in brackets, the other sign dimensions must be varied proportionally.
 2. All dimensions shown in millimetres.

Colours -
 [White Box] WHITE
 [Green Box] GREEN

Department of Roads	Title - RESTRICTION ENDS	Drawing No. - A26
TRAFFIC SIGNS MANUAL		



SCALE: 1:5

Notes -

1. If using alternative overall sign dimensions, shown in brackets, the other sign dimensions must be varied proportionally.
2. All dimensions shown in millimetres.

Colours :-

- WHITE
- BLACK

Department of Roads

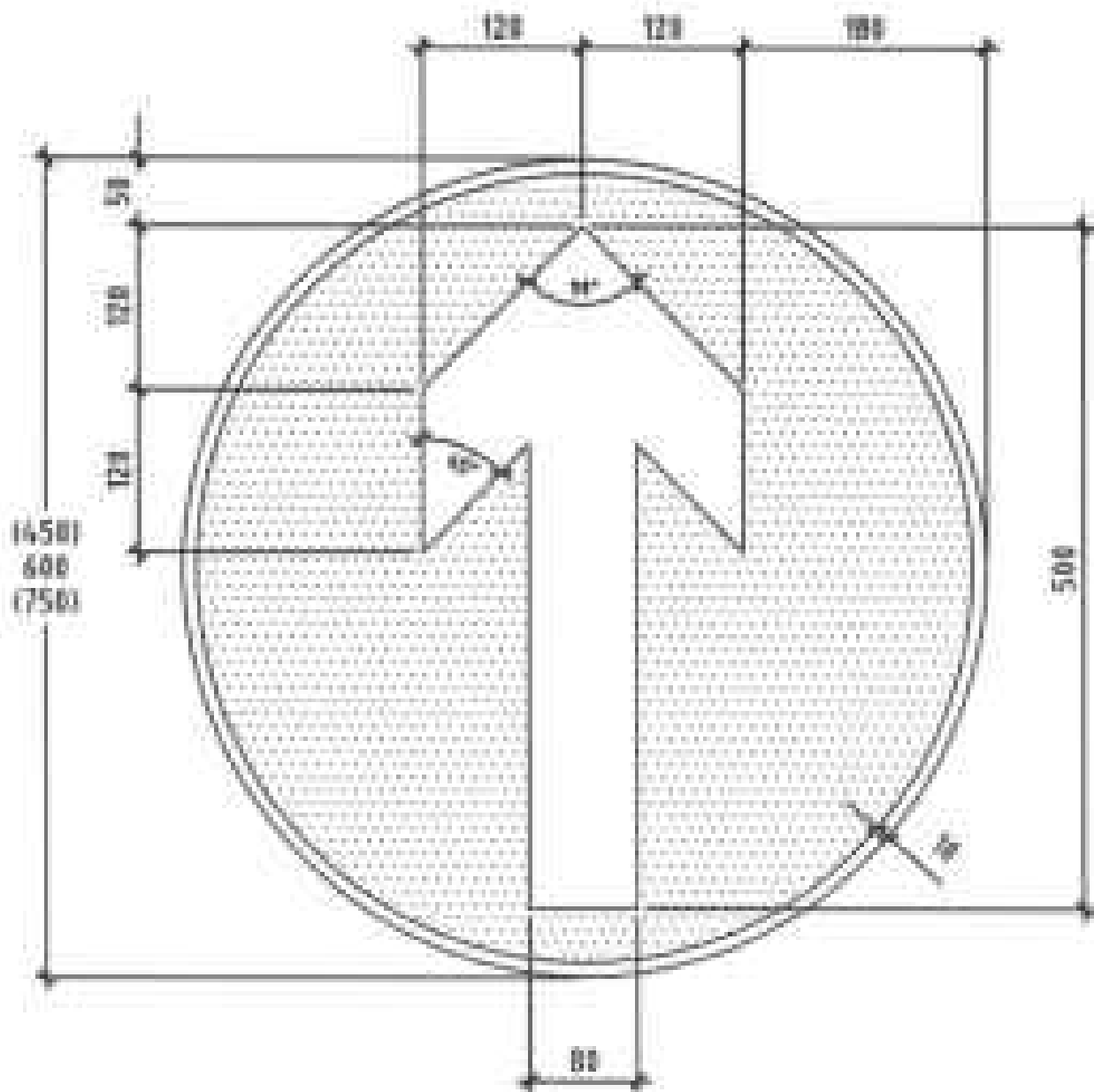
Title :-

AHEAD ONLY

Drawing No. :-

A27

TRAFFIC SIGNS MANUAL



SCALE 1:5

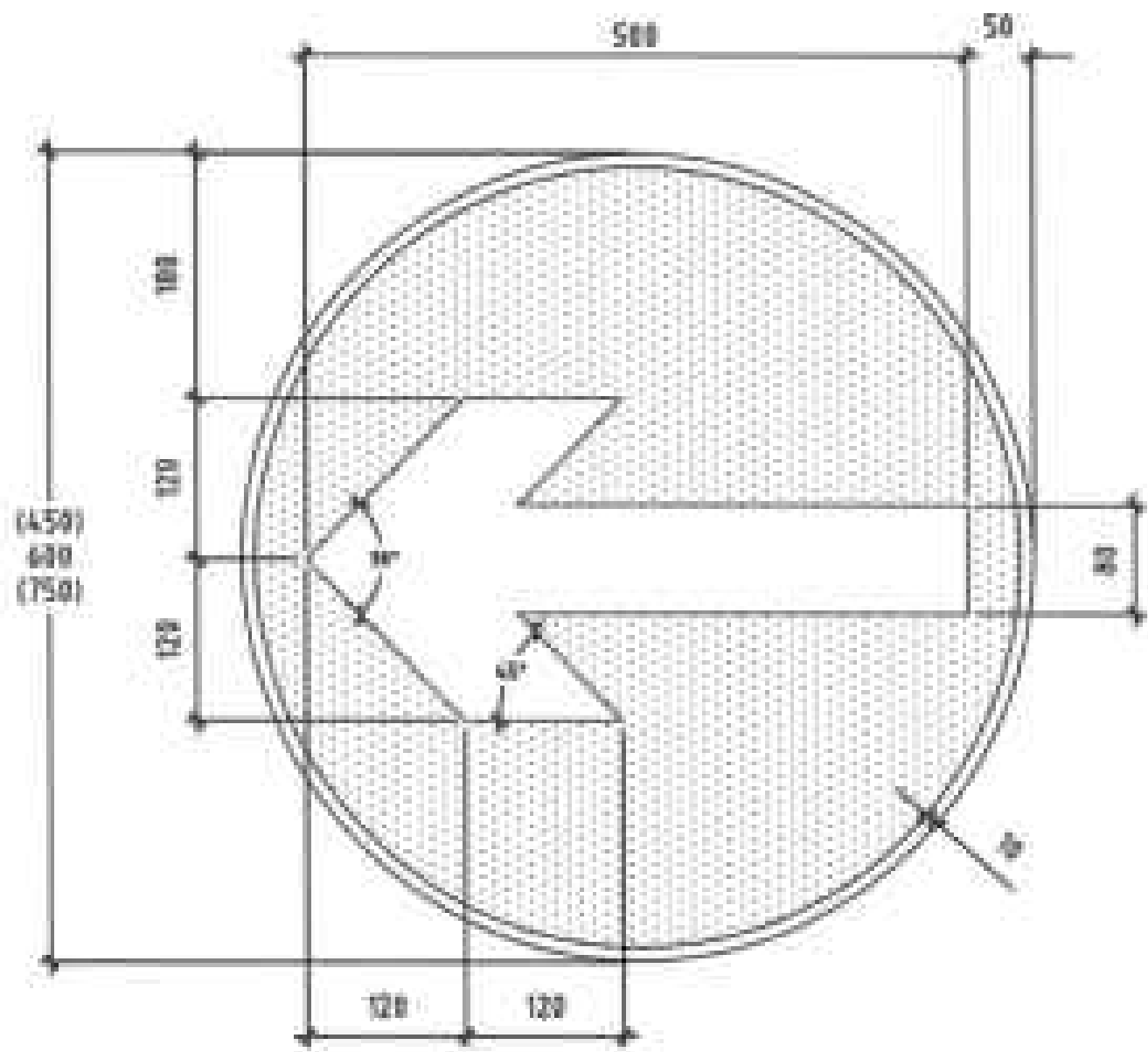
Notes :-

1. If using alternative overall sign dimensions, shown in brackets, the other sign dimensions must be varied proportionally.
2. All dimensions shown in millimetres.

Colours :-

- WHITE
- BLUE

Department of roads	Title — TURN LEFT (RIGHT IF SYMBOL IS REVERSED)	Drawing No. — A28
TRAFFIC SIGNS MANUAL		



SCALE: 1:5

Notes —
 1. If using alternative overall sign dimensions, shown in brackets, the other sign dimensions must be varied proportionally.
 2. All dimensions shown in millimetres

Colours —
 □ WHITE
 ■ BLUE

Department of Roads

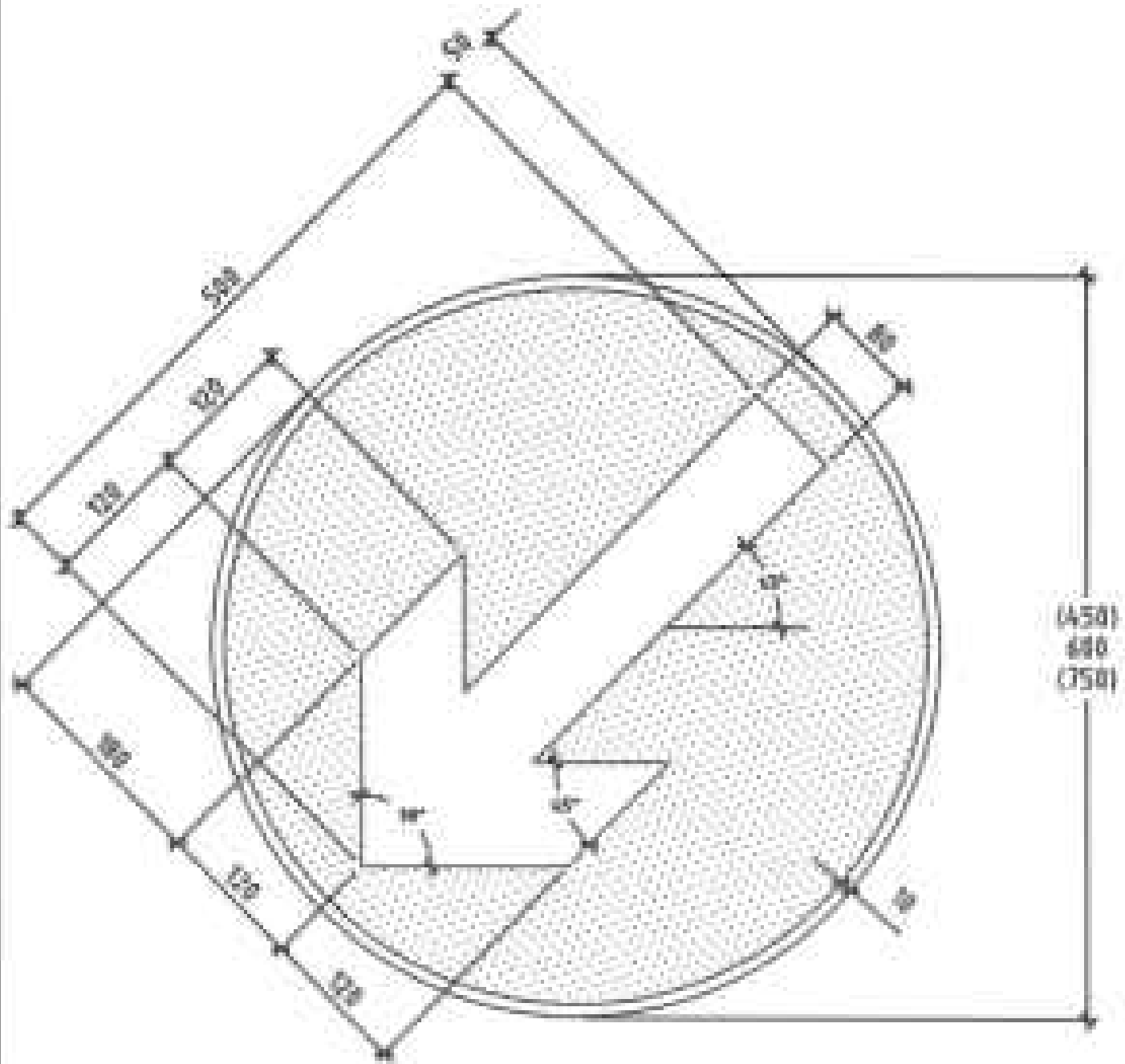
Title :-

KEEP LEFT (RIGHT IF
SYMBOL IS REVERSED)

Drawing No. :-

A29

TRAFFIC SIGNS MANUAL



SCALE 1:5

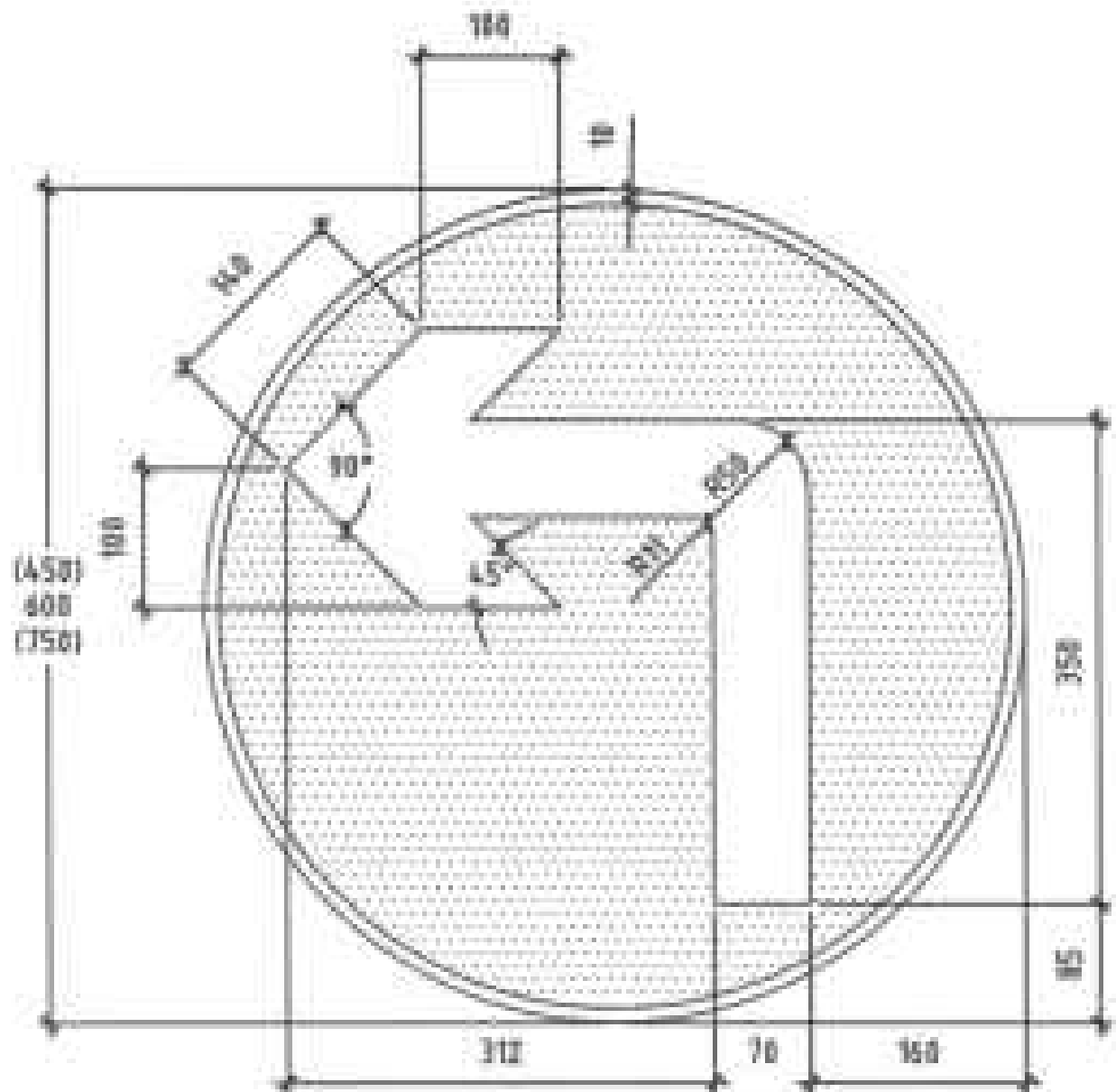
Notes :-

1. If using alternative overall sign dimensions, shown in brackets, the other sign dimensions must be varied proportionally.
2. All dimensions shown in millimetres

Colours :-

- WHITE
- BLUE

Department of Roads	Title — TURN LEFT AHEAD (RIGHT IF SYMBOL IS REVERSED)	Drawing No. — A30
TRAFFIC SIGNS MANUAL		



SCALE 1:5

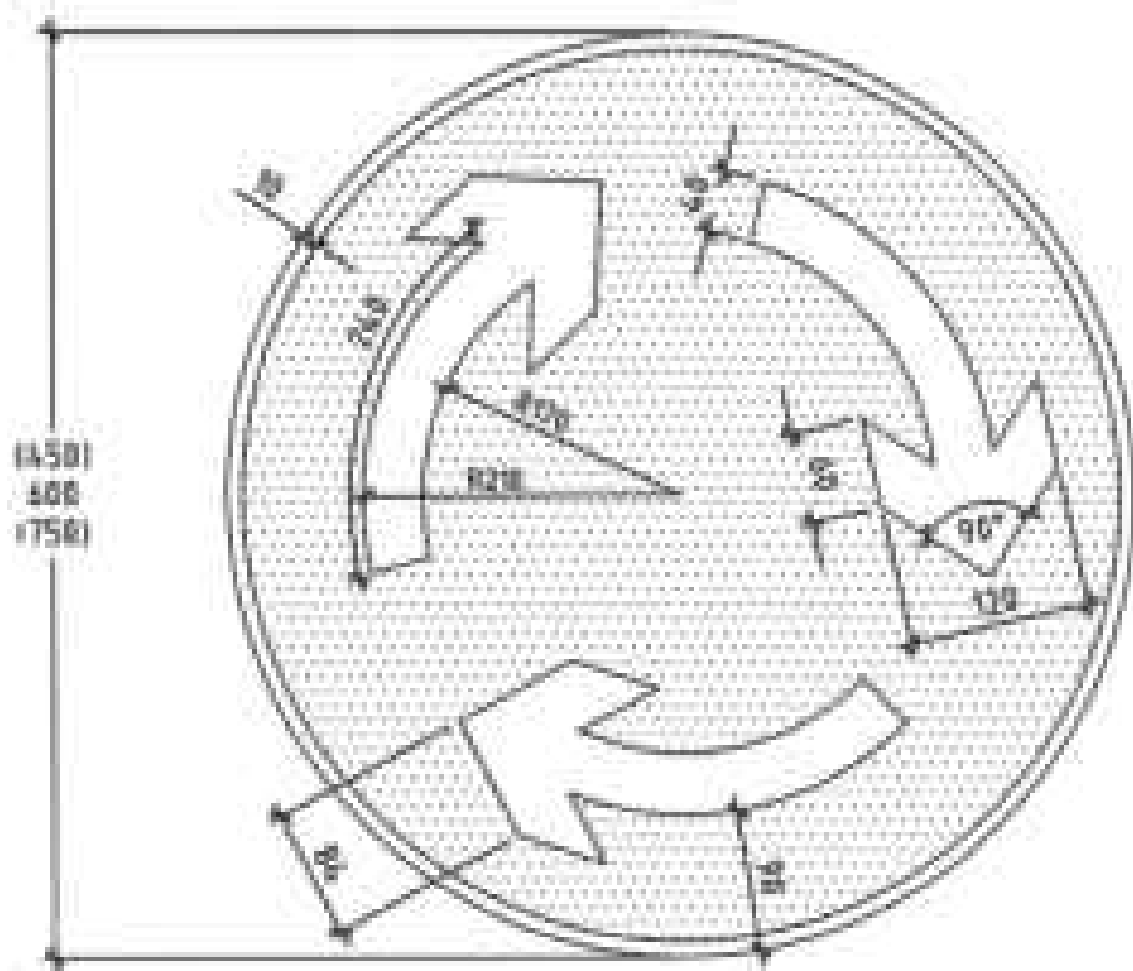
Notes —

1. If using alternative overall sign dimensions, shown in brackets, the other sign dimensions must be varied proportionally.
2. All dimensions shown in millimetres

Colours —

- WHITE
- BLUE

Department of Roads	Title :- SMALL ROUNDABOUT (GIVE WAY TO THE RIGHT)	Drawing No. :- A31
TRAFFIC SIGNS MANUAL		



SCALE 1:5

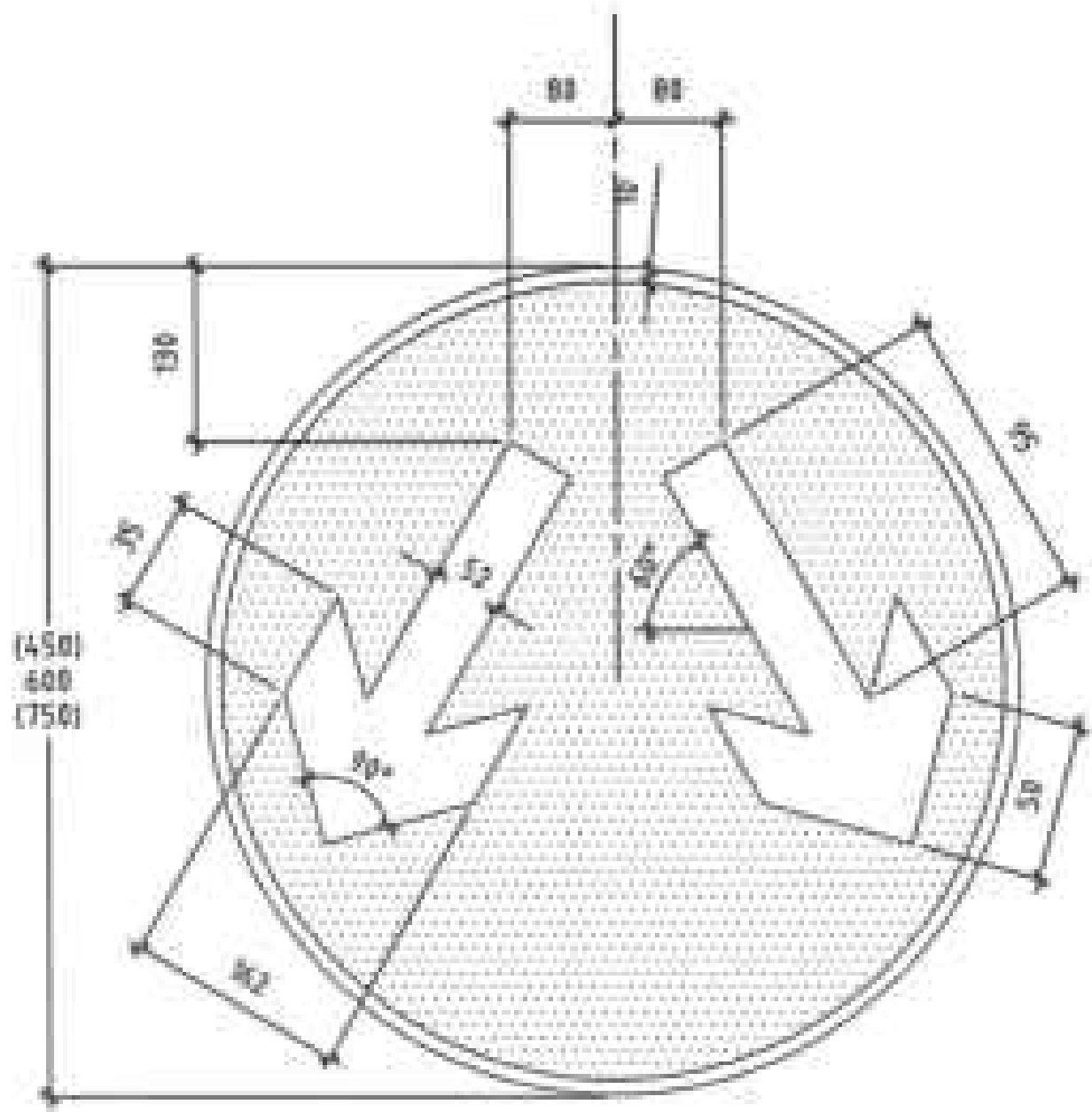
Notes :-

1. If using alternative overall sign dimensions, shown in brackets, the other sign dimensions must be varied proportionally.
2. All dimensions shown in millimetres.

Colours :-

- WHITE
- BLUE

Department of Roads	Title :- PASS EITHER SIDE	Drawing No. :- A32
TRAFFIC SIGNS MANUAL		



SCALE 1:5

Notes :-
 1. If using alternative overall sign dimensions, shown in brackets, the other sign dimensions may be varied proportionally.
 2. All dimensions shown in millimetres

Colour :-
 [] WHITE
 [] BLUE

Department of Roads

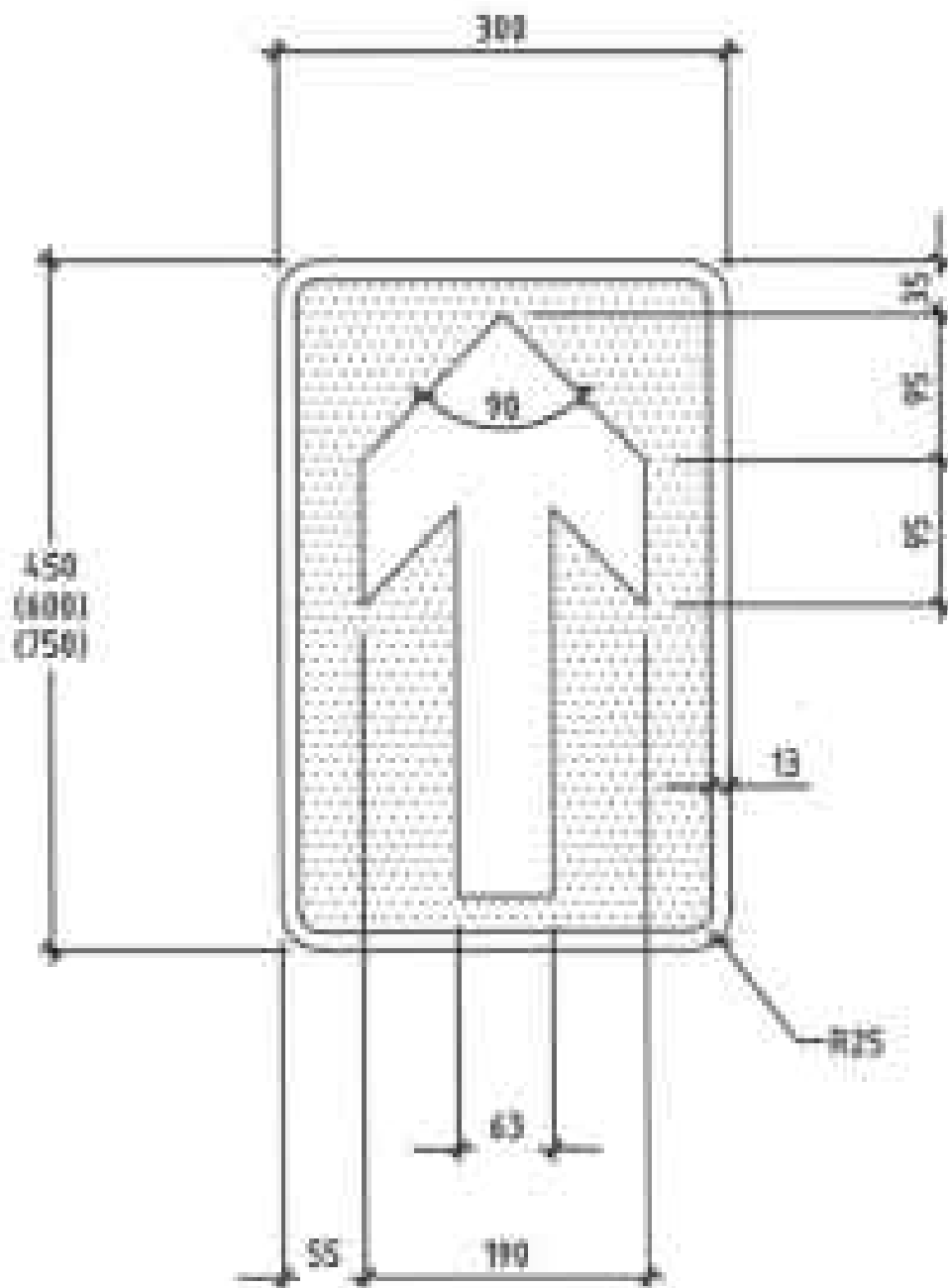
Title :-

ONE-WAY TRAFFIC

Drawing No. :-

A33

TRAFFIC SIGNS MANUAL



SCALE 1:5

Notes :-

1. If using alternative overall sign dimensions, shown in brackets, the other sign dimensions must be varied proportionally.
2. All dimensions shown in millimetres

Colours :-

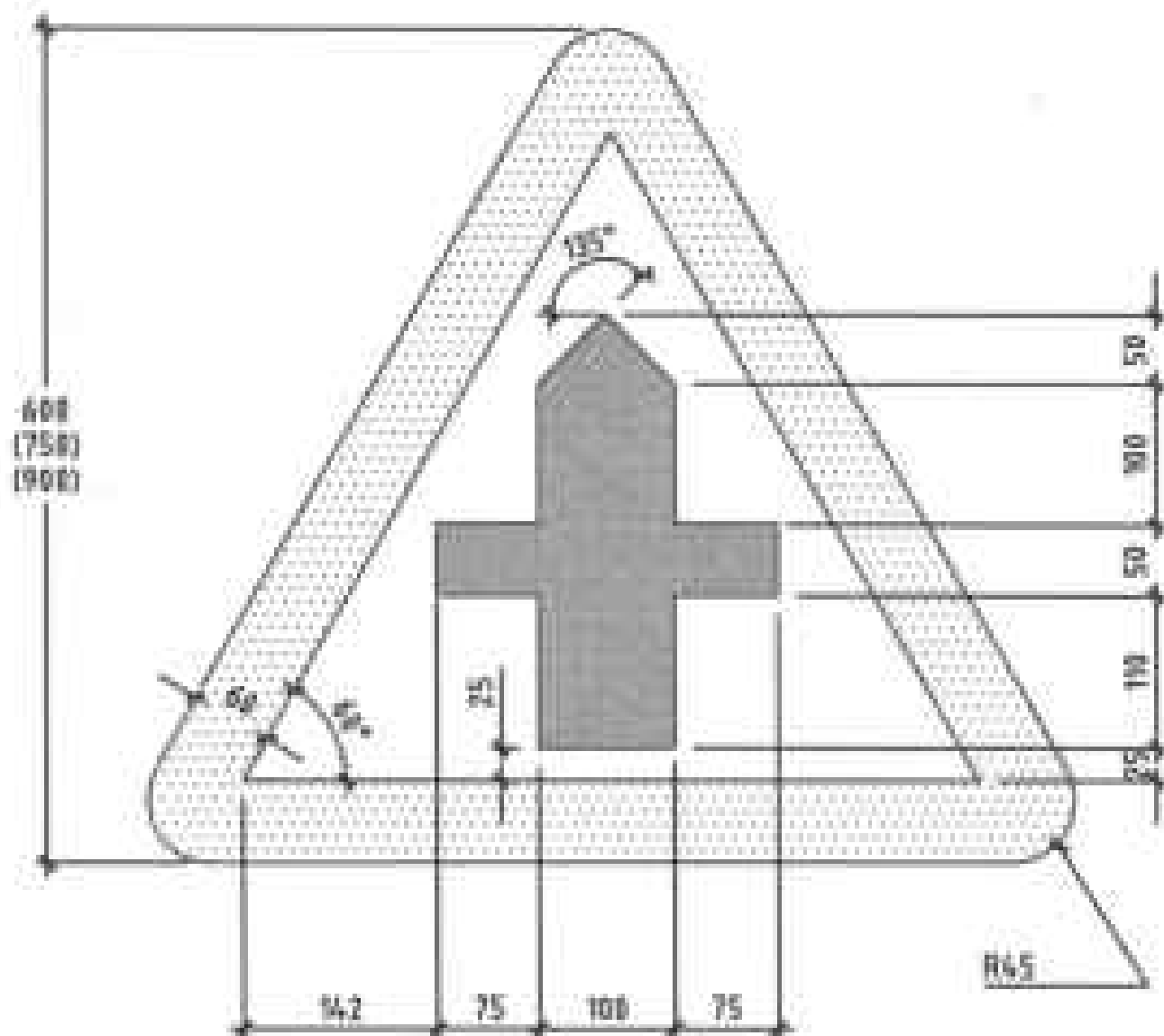
- WHITE
- BLUE

Department of Roads

Title —
CROSSROADS

Drawing No. —
B1

TRAFFIC SIGNS MANUAL



SCALE 1:5

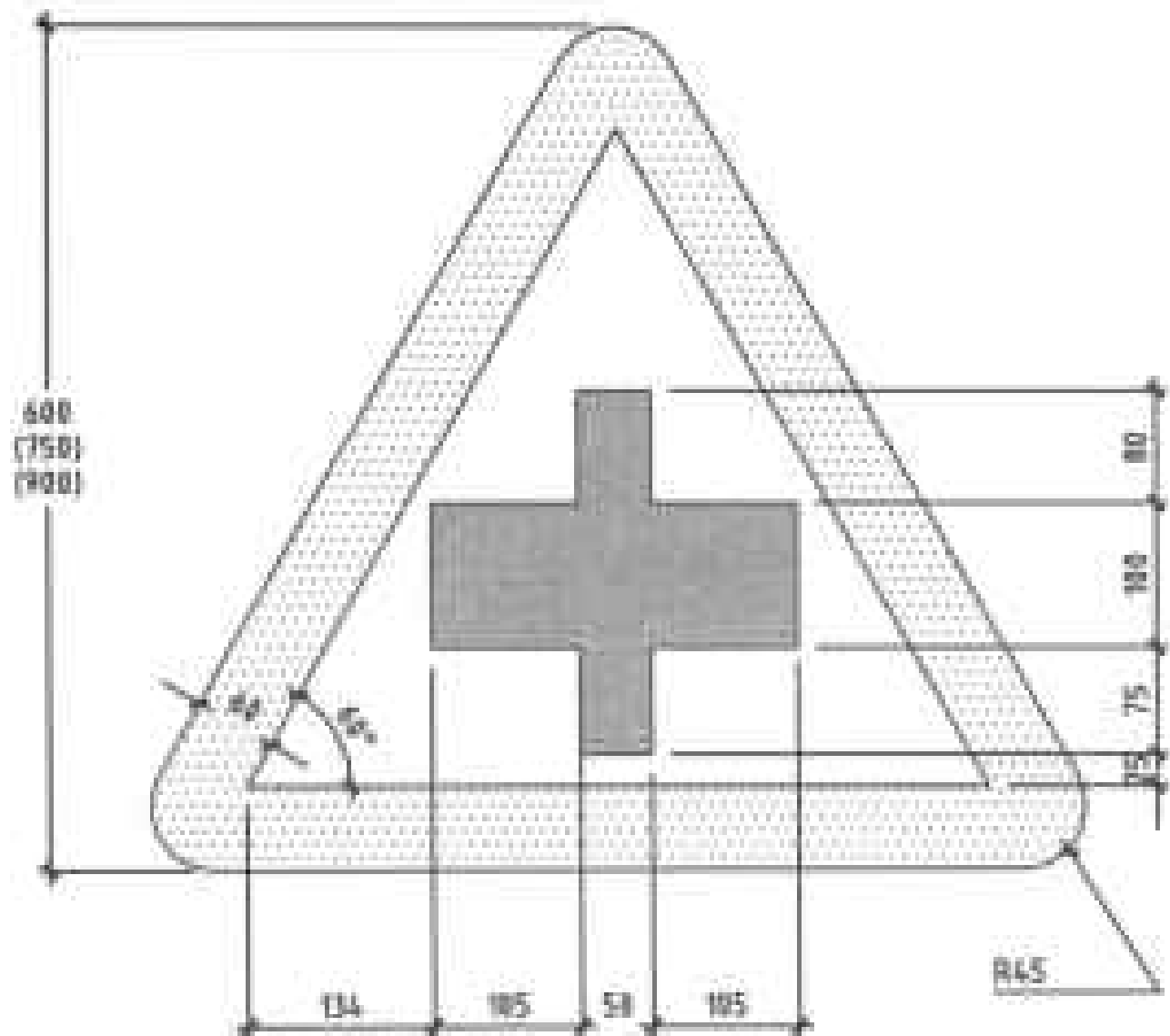
Notes —

1. If using alternative overall sign dimensions, shown in brackets, the other sign dimensions must be varied proportionally.
2. All dimensions shown in millimetres

Colours —

- WHITE
- ▨ RED
- BLACK

Department of Roads	Title :- MAJOR ROAD AHEAD (CROSSROADS)	Drawing No. :- B2
TRAFFIC SIGNS MANUAL		



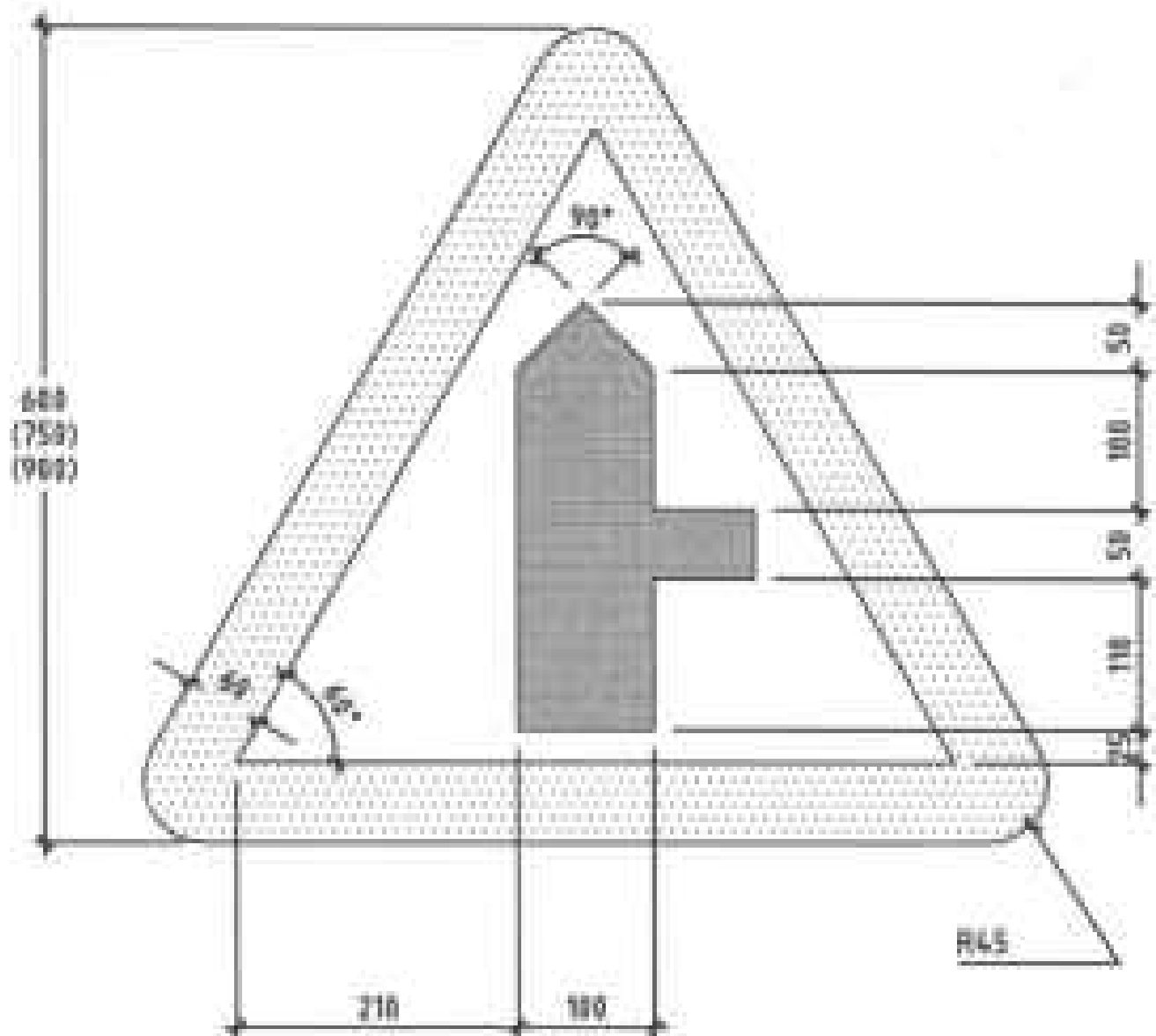
SCALE 1:5

Note :-

1. If using alternative overall sign dimensions, shown in brackets, the other sign dimensions must be varied proportionally.
2. All dimensions shown in millimetres.

Colour :-

- WHITE
- RED
- BLACK

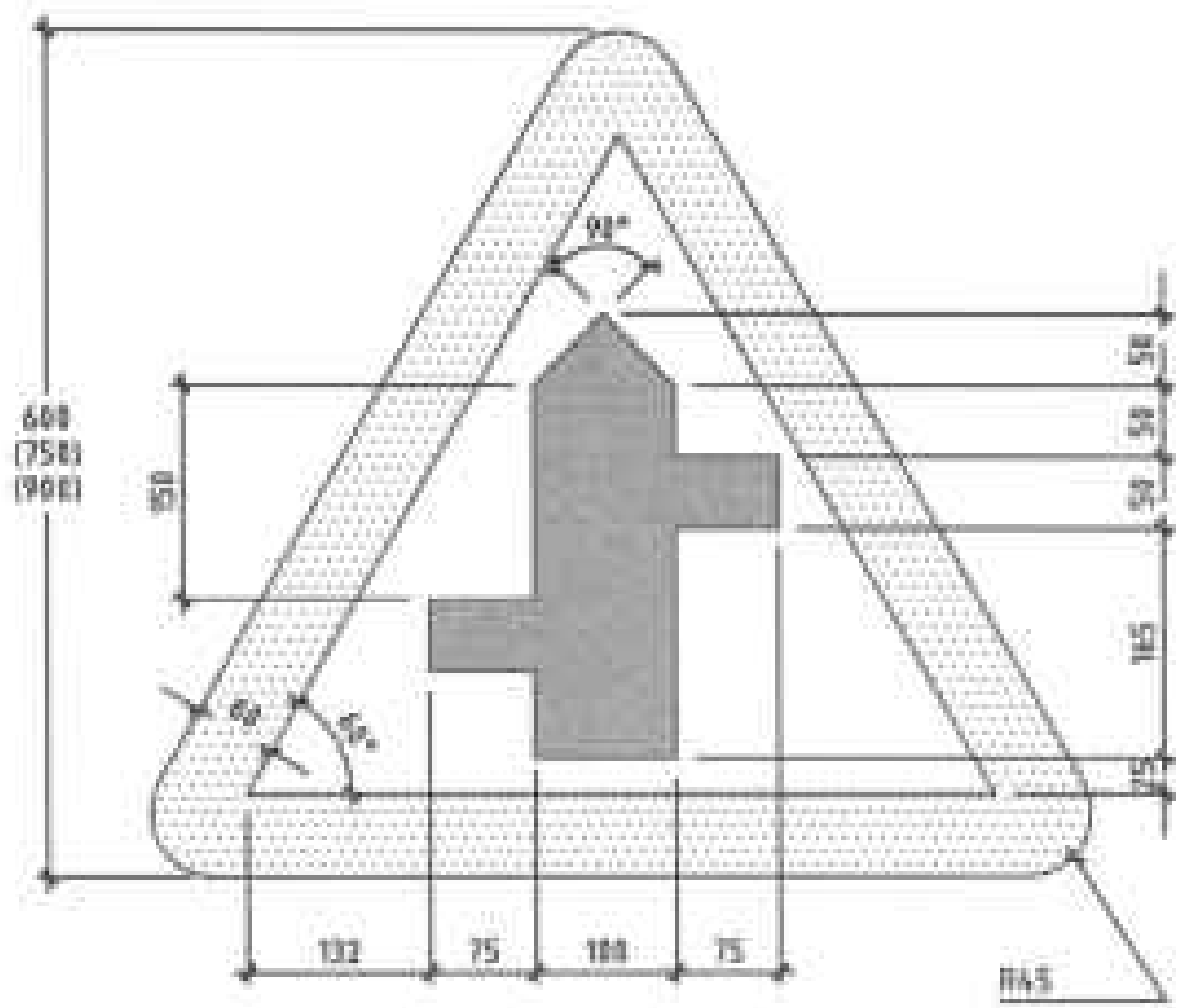


SCALE 1:5

1. If using alternative overall sign dimensions, shown in brackets, the other sign dimensions must be varied proportionally.
2. All dimensions shown in millimetres

WHITE
 RED
 BLACK

Department of Roads	Title — STAGGERED JUNCTION (SYMBOL MAY BE REVERSED)	Drawing No. — 84
TRAFFIC SIGNS MANUAL		



SCALE 1/5

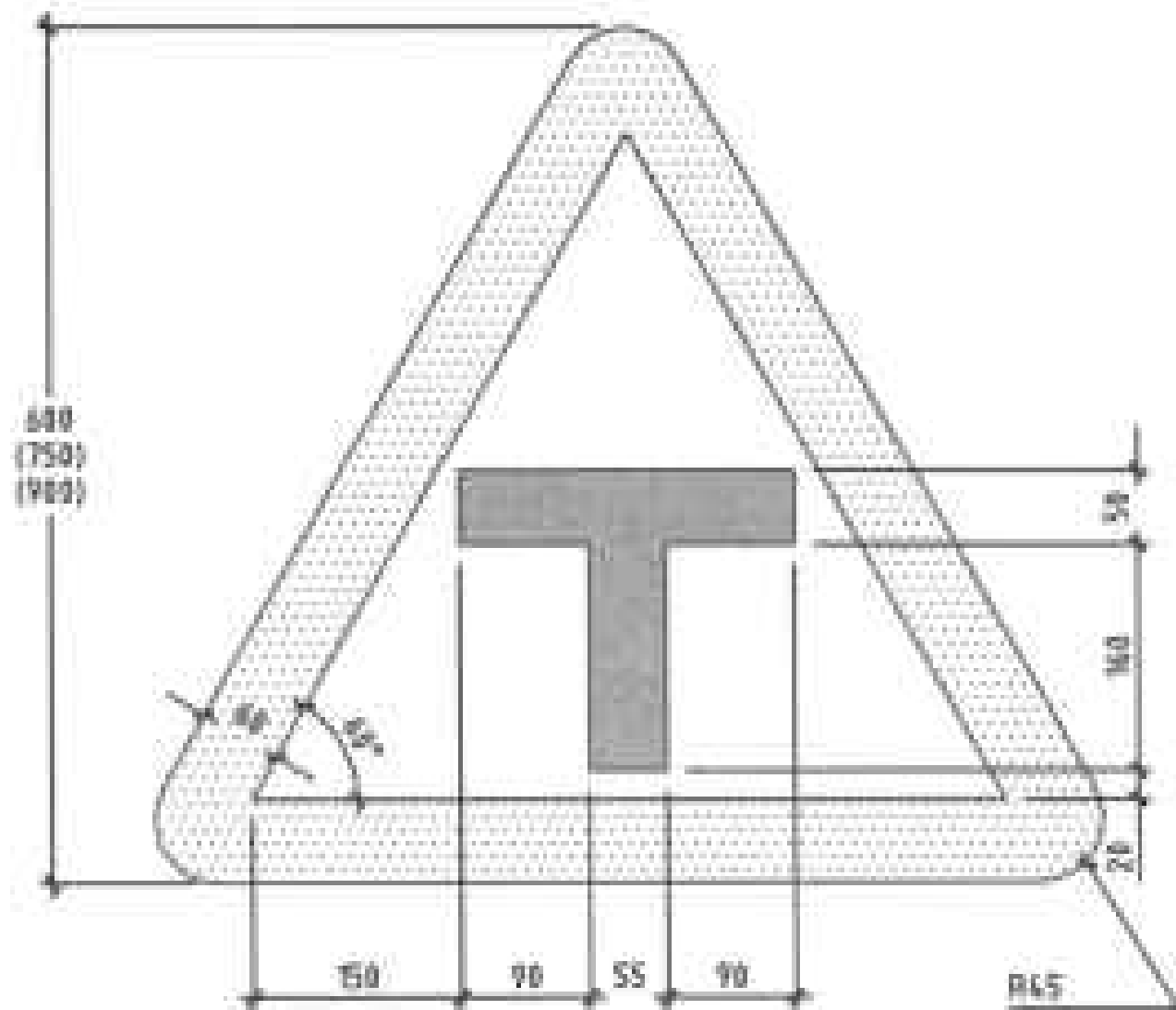
Notes —

1. If using alternative overall sign dimensions, shown in brackets, the other sign dimensions must be varied proportionally.
2. All dimensions shown in millimetres

Colours —

- WHITE
- RED
- BLACK

Department of Roads	Title — T-JUNCTION	Drawing No. — 85
TRAFFIC SIGNS MANUAL		



SCALE 1:5

Notes —

1. If using alternative overall sign dimensions, shown in brackets, the other sign dimensions must be varied proportionally.
2. All dimensions shown in millimetres.

Colours —

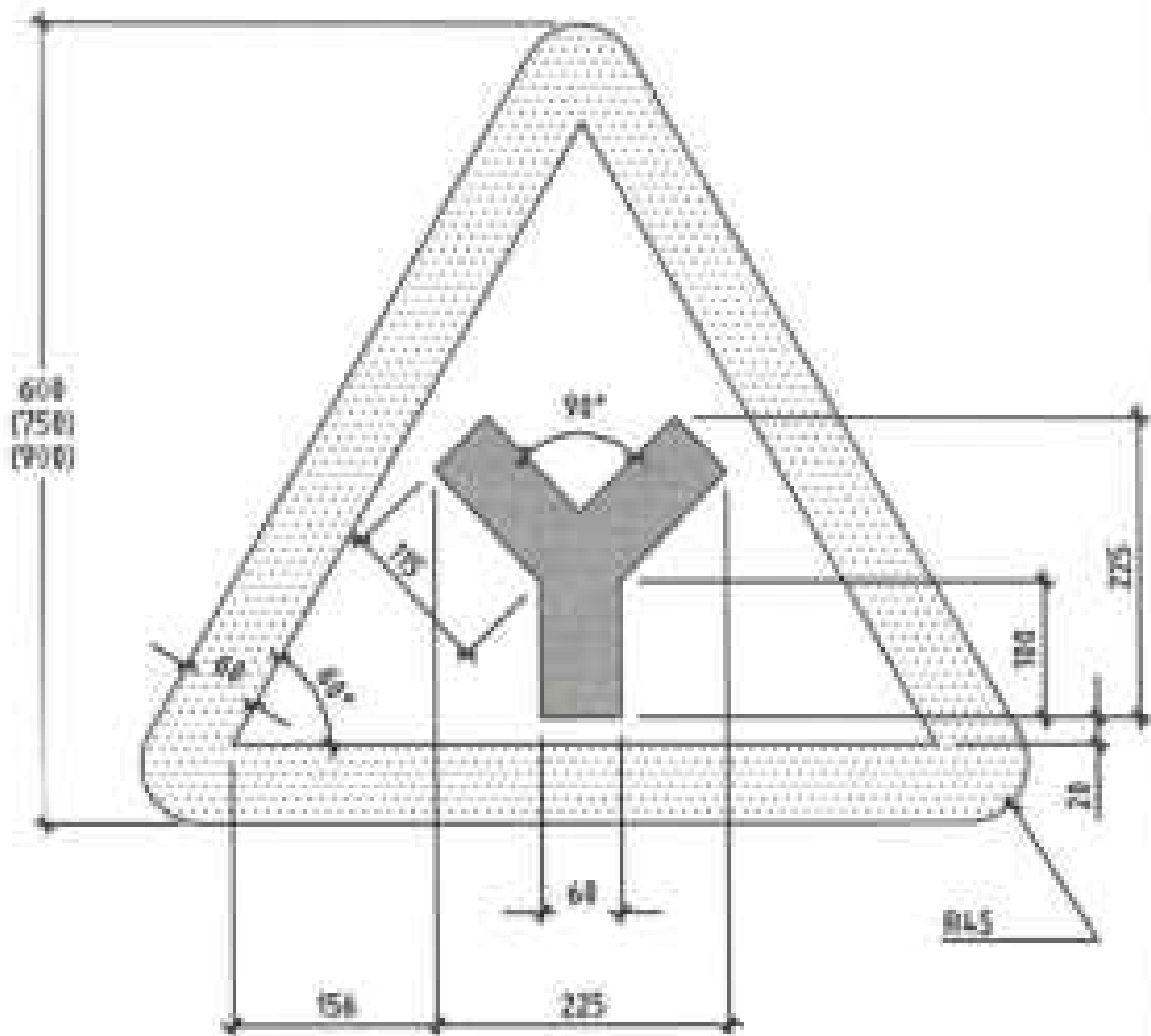
□	WHITE
■	RED
■	BLACK

Department of Roads

Title --
Y-JUNCTION

Drawing No. --
B6

TRAFFIC SIGNS MANUAL



SCALE 1:5

Notes --

1. If using alternative overall sign dimensions, shown in brackets, the other sign dimensions must be varied proportionally.
2. All dimensions shown in millimetres

Colour --

- WHITE
- RED
- BLACK

Department of Roads

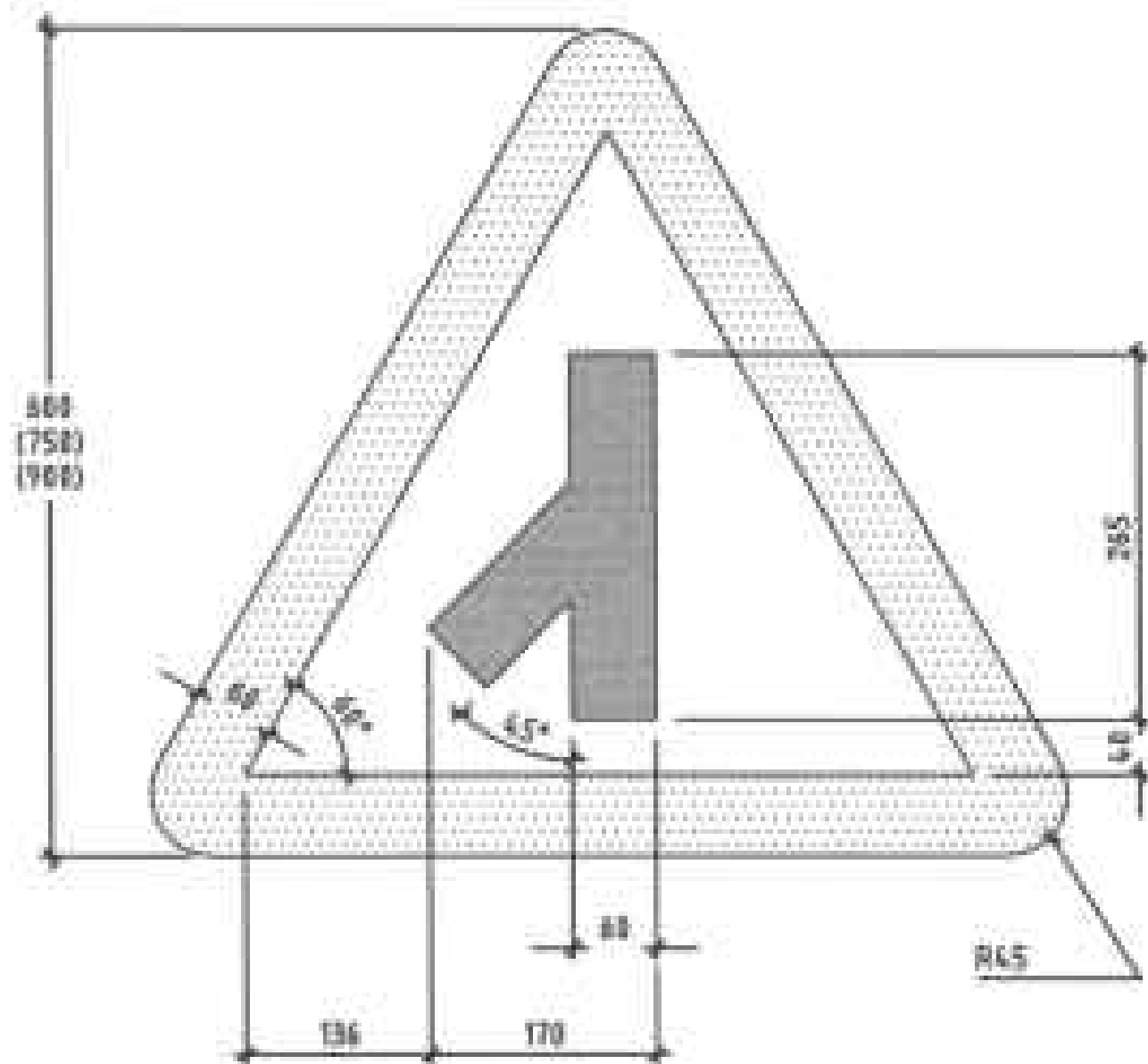
Title —

TRAFFIC MERGES
FROM LEFT

Drawing No. —

87

TRAFFIC SIGNS MANUAL



SCALE 1:5

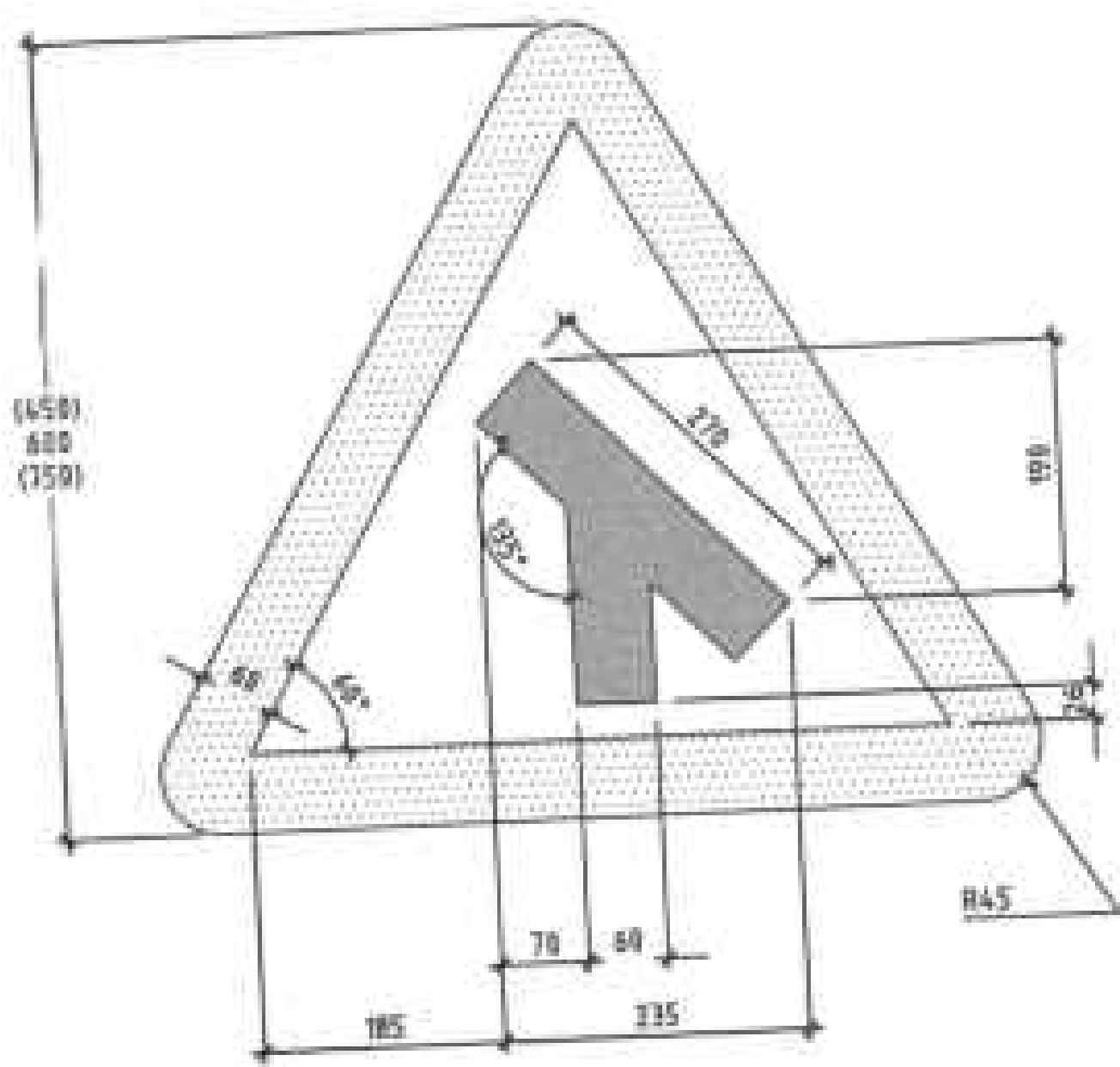
Notes —

1. If using alternative overall sign dimensions, shown in brackets, the other sign dimensions must be varied proportionally.
2. All dimensions shown in millimetres.

Colours —

- WHITE
- RED
- BLACK

Department of Roads	Title :- TRAFFIC MERGES FROM RIGHT	Drawing No. :- B8
TRAFFIC SIGNS MANUAL		



SCALE 1:5

Note :-
 1. If using alternative overall sign dimensions, shown in brackets, the other sign dimensions must be varied proportionally.
 2. All dimensions shown in millimetres.

Colour :-

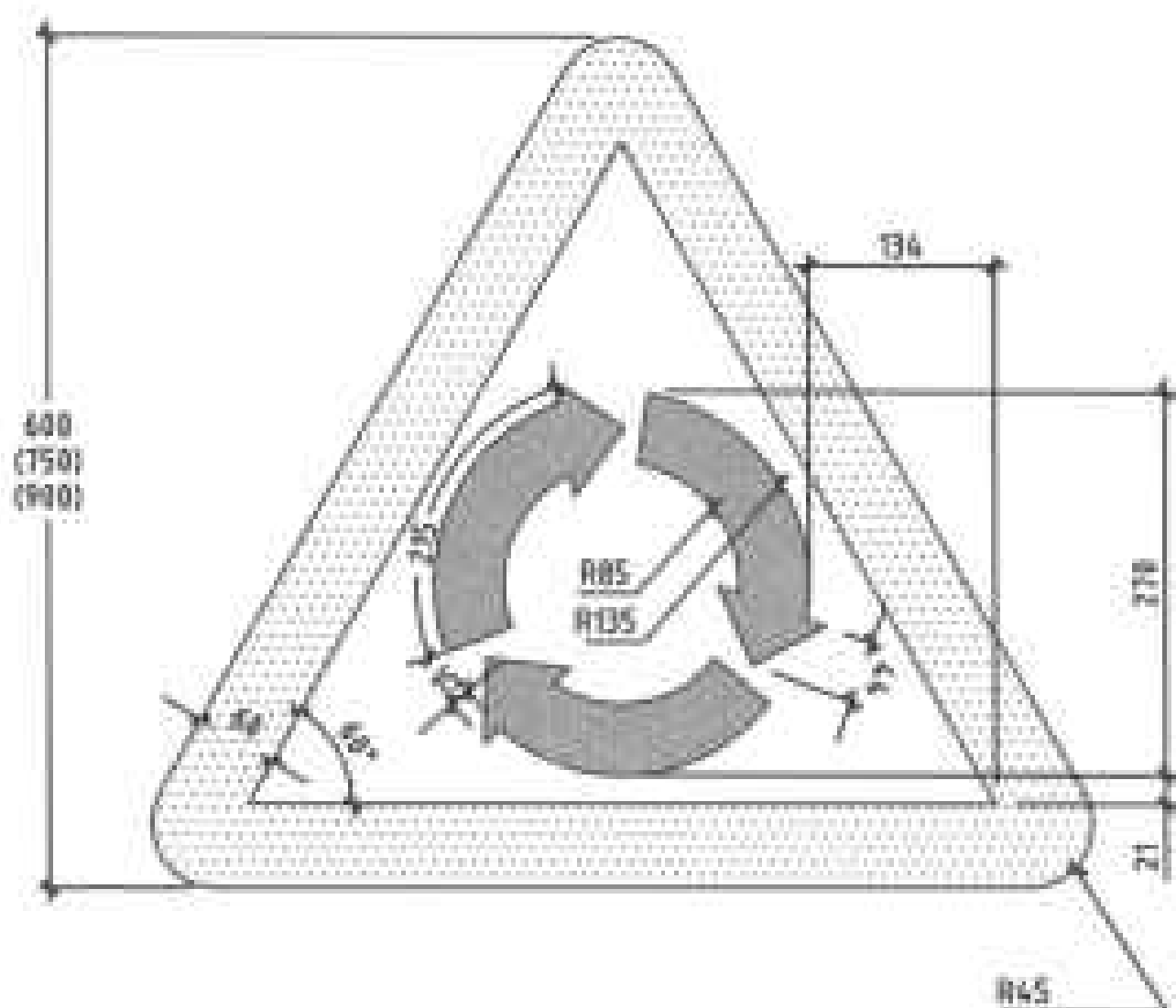
	WHITE
	RED
	BLACK

Department of Roads

Title :-
ROUNDAABOUT

Drawing No. :-
B9

TRAFFIC SIGNS MANUAL



SCALE 1:5

Notes :-

1. If using alternative overall sign dimensions, shown in brackets, the other sign dimensions must be varied proportionally.
2. All dimensions shown in millimetres

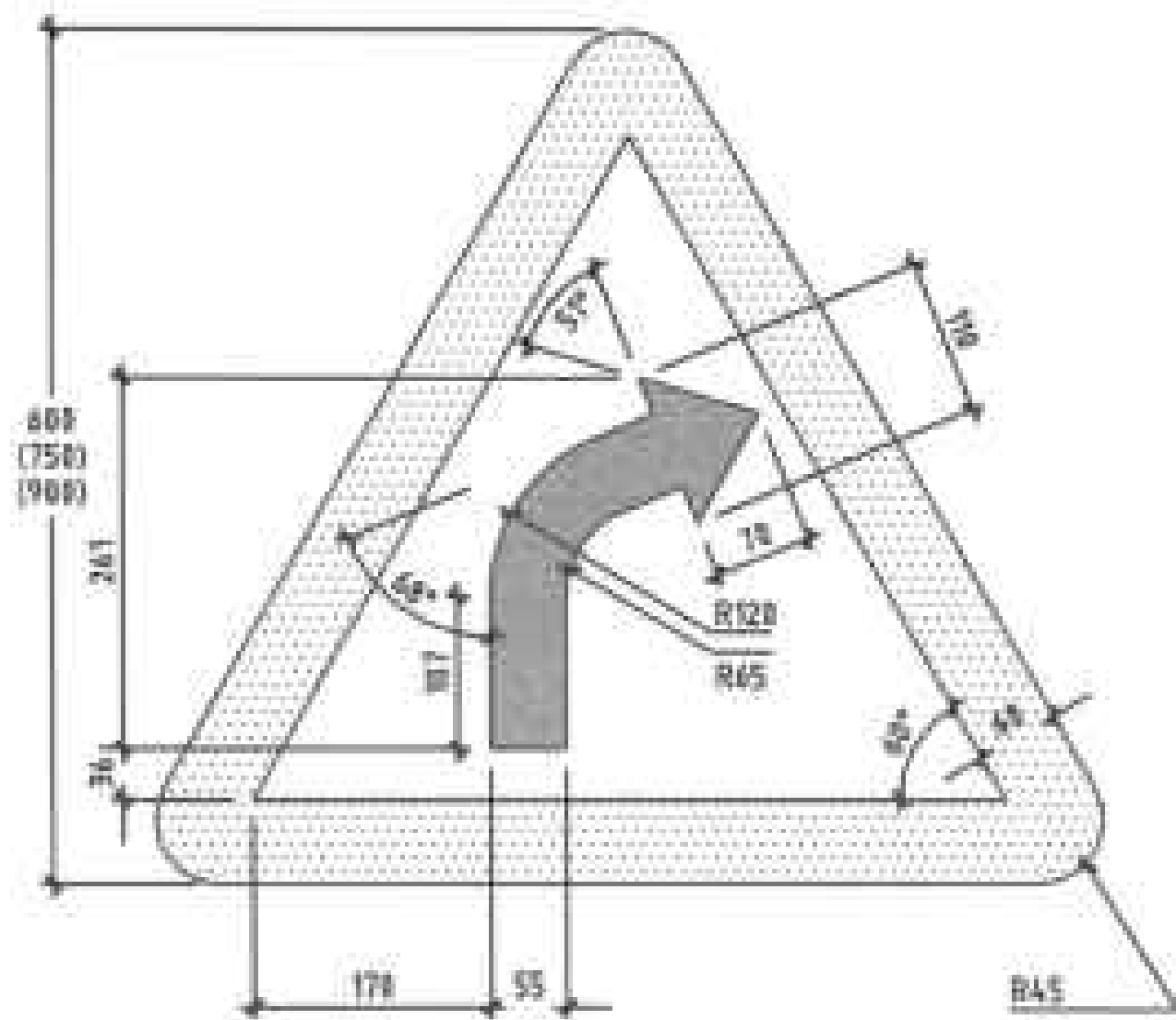
Colours :-

-  WHITE
-  RED
-  BLACK

Department of Roads
TRAFFIC SIGNS MANUAL

Title :-
BEND TO RIGHT
(LEFT IF SYMBOL IS
REVERSED)

Drawing No. :-
B10



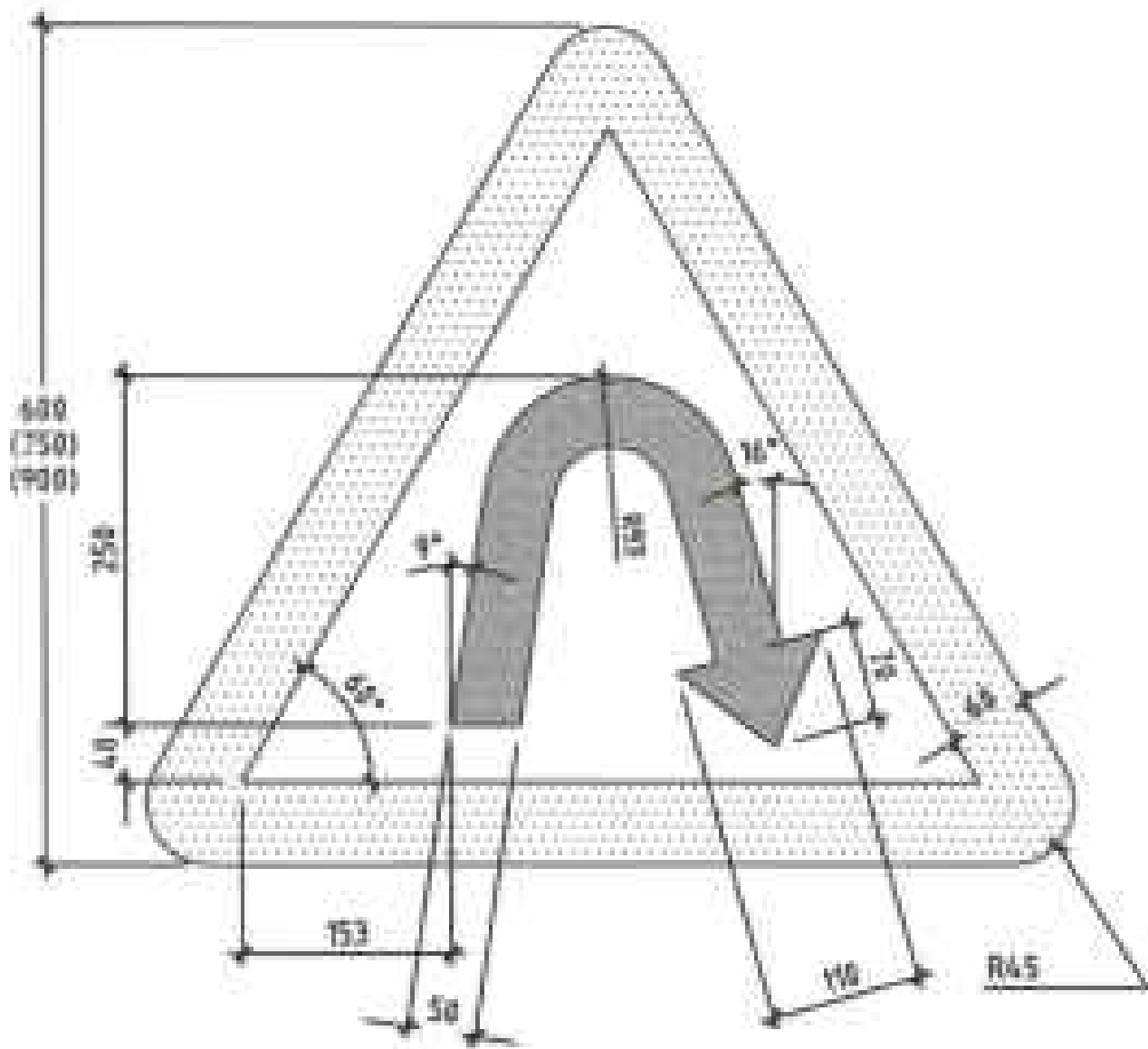
SCALE 1:5

- Notes :-
1. If using alternative overall sign dimensions, shown in brackets, the other sign dimensions must be varied proportionally.
 2. All dimensions shown in millimetres.

Colours :-

	WHITE
	RED
	BLACK

Department of Roads	Title :- HAIRPIN BEND TO RIGHT (LEFT IF SYMBOL IS REVERSED)	Drawing No. :- B/11
TRAFFIC SIGNS MANUAL		



SCALE 1:5

Notes :-

1. If using alternative overall sign dimensions, shown in brackets, the other sign dimensions must be varied proportionally.
2. All dimensions shown in millimetres.

Colours :-

- WHITE
- RED
- BLACK

Department of Roads

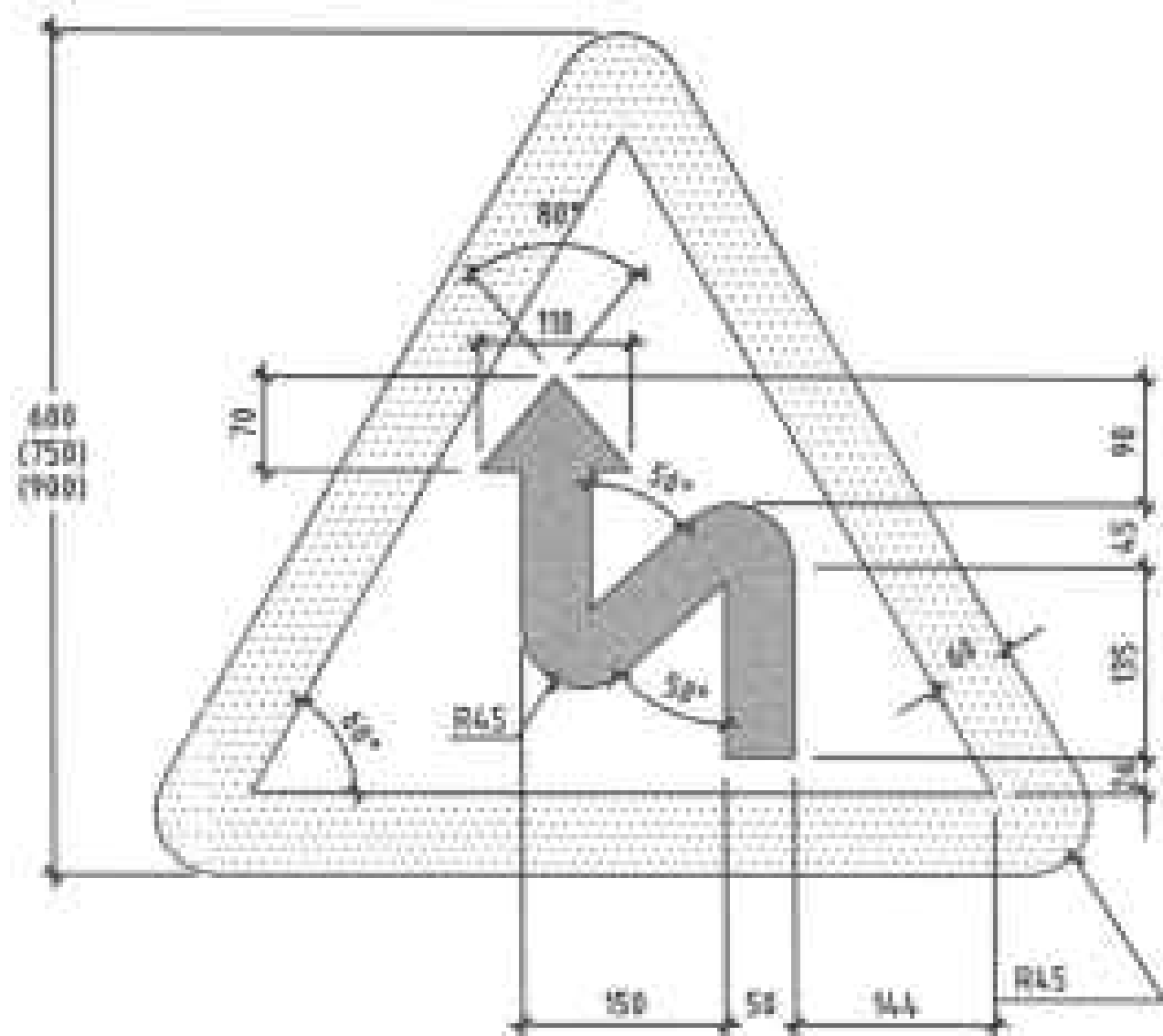
Title :-

DOUBLE BEND LEFT FIRST
(RIGHT IF SYMBOL IS
REVERSED)

Drawing No. :-

B12

TRAFFIC SIGNS MANUAL



SCALE 1:5

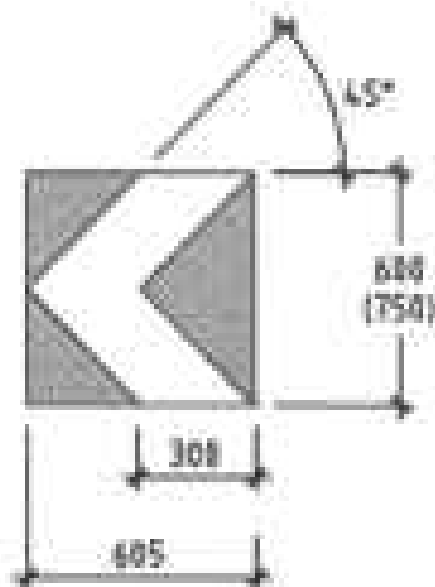
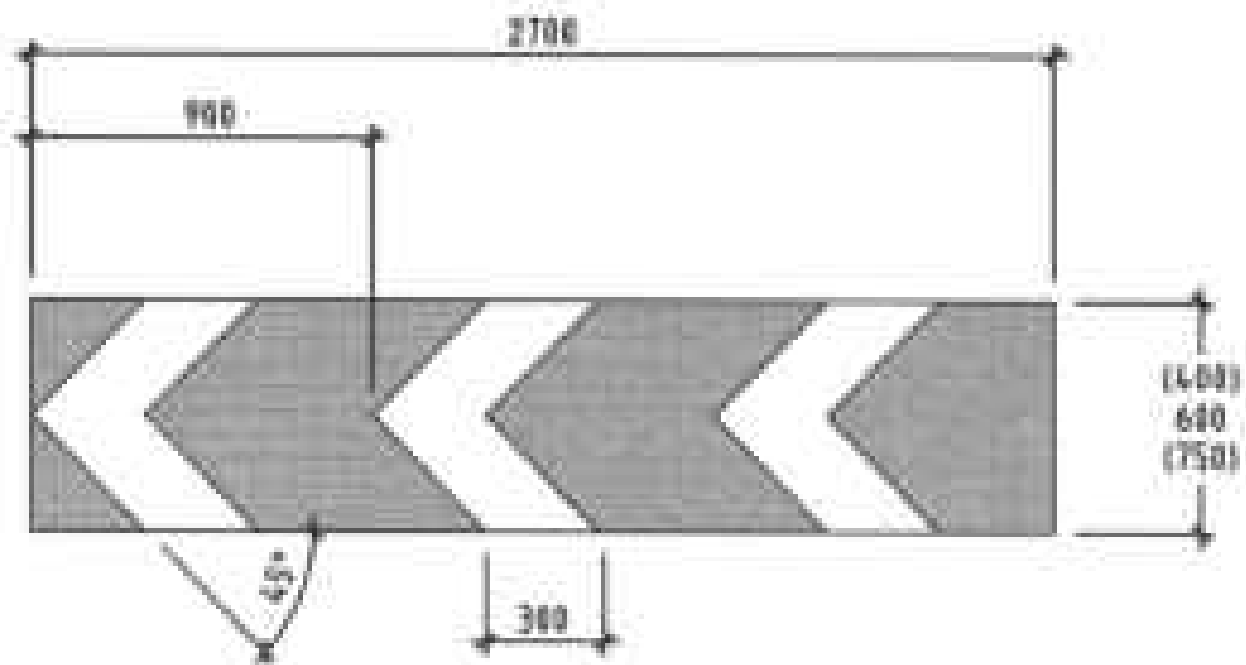
Notes :-

1. If using alternative overall sign dimensions, shown in brackets, the other sign dimensions must be varied proportionally.
2. All dimensions shown in millimetres

Colours :-

- WHITE
- RED
- BLACK

Department of Roads TRAFFIC SIGNS MANUAL	Title — SHARP LEFT HAND BEND (RIGHT IF SIGN REVERSED)	Drawing No. — 813
---	--	-----------------------------



(SINGLE CHEVRON VARIATION)

SCALE 1:20

Notes —

1. If using alternative overall sign dimensions, shown in brackets, the other sign dimensions must be varied proportionally.
2. All dimensions shown in millimetres

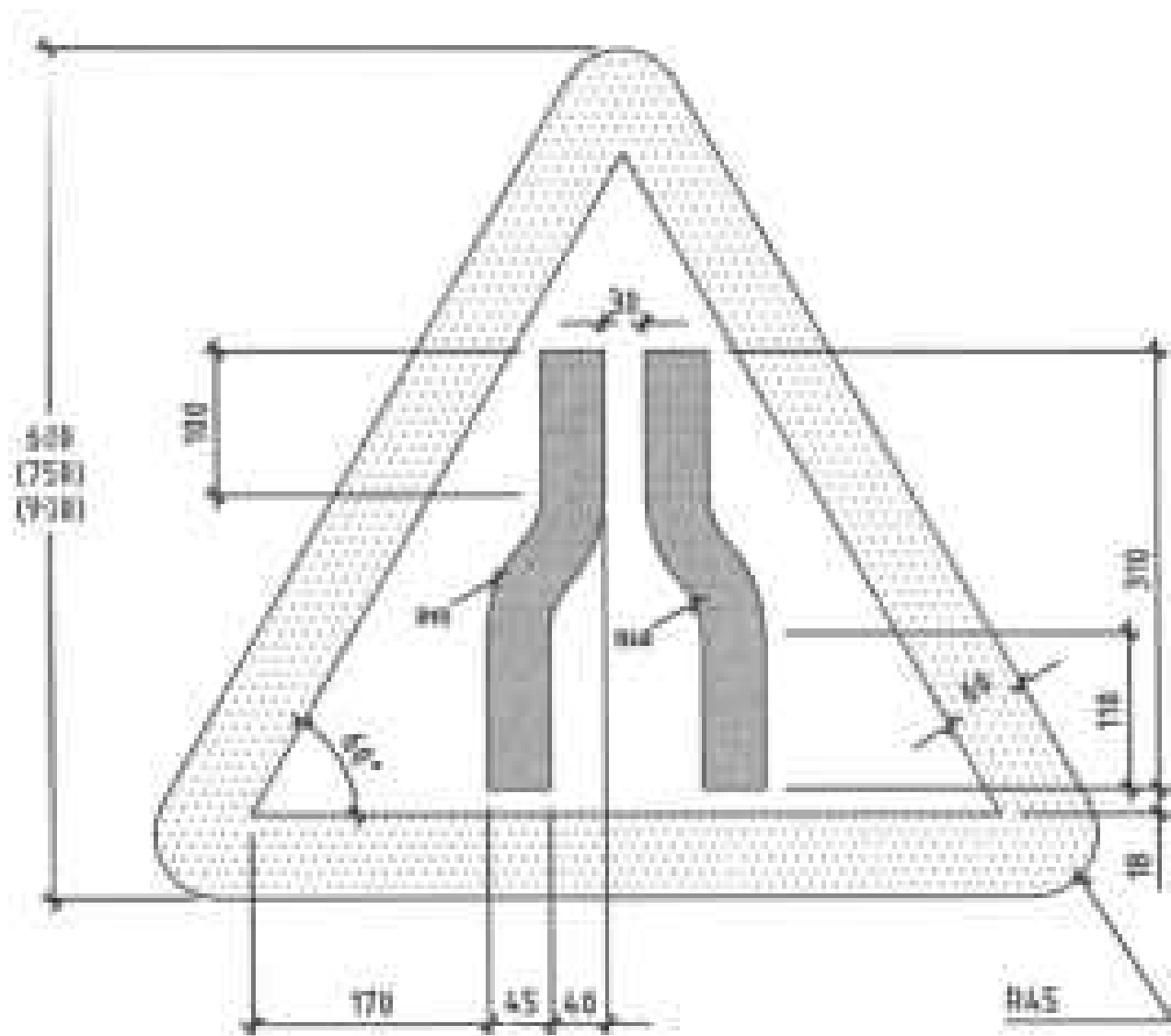
Colours —

- WHITE
- BLACK

Department of Roads
TRAFFIC SIGNS MANUAL

Title -
ROAD NARROWS
ON BOTH SIDES

Drawing No. -
B14



SCALE 1:5

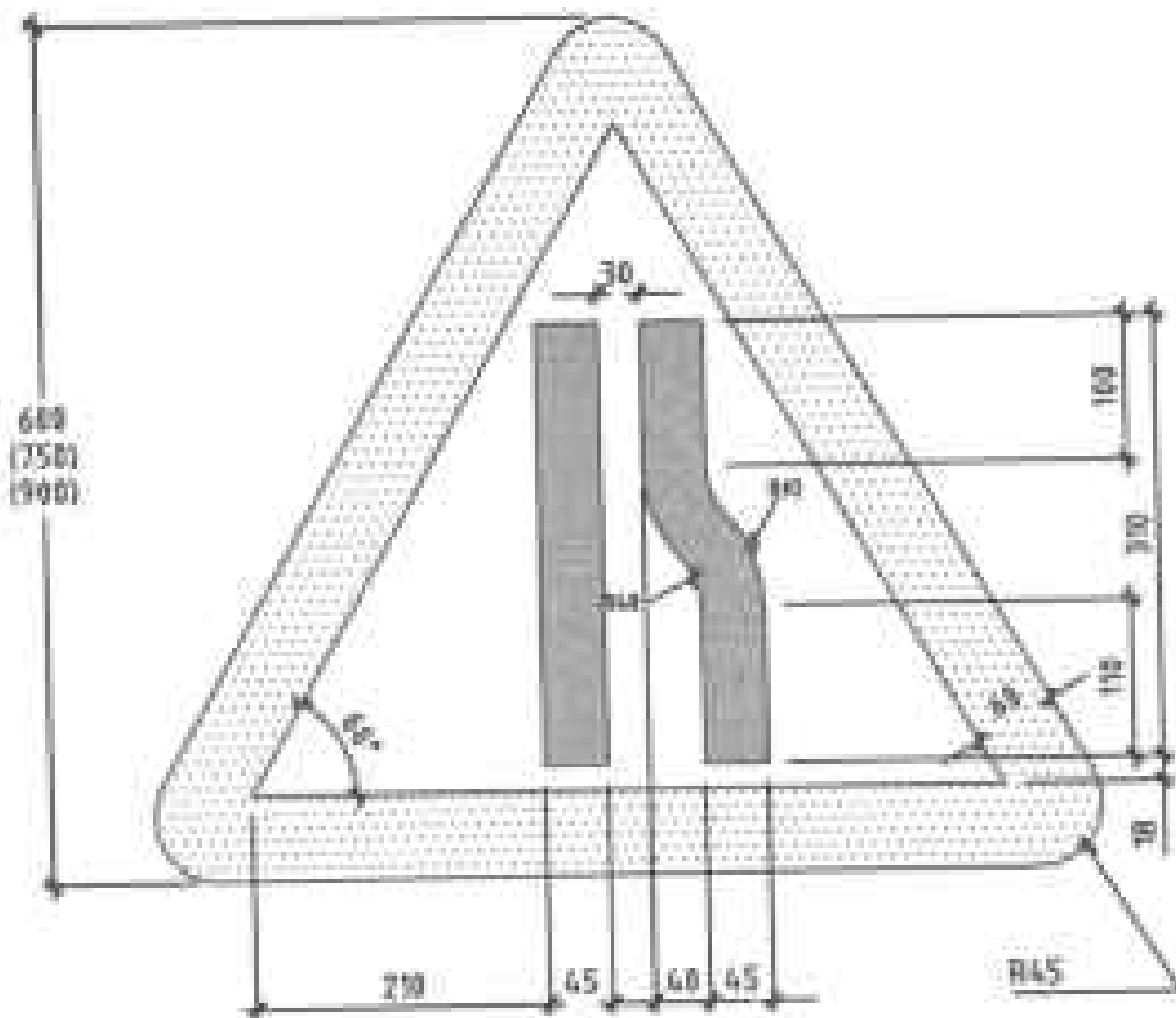
Notes -

1. If using alternative overall sign dimensions, shown in brackets, the other sign dimensions must be varied proportionally.
2. All dimensions shown in millimetres.

Colours -

- WHITE
- RED
- BLACK

Department of Roads	Title :- ROAD NARROWS ON RIGHT (LEFT IF SIGN REVERSED)	Drawing No. :- B15
TRAFFIC SIGNS MANUAL		



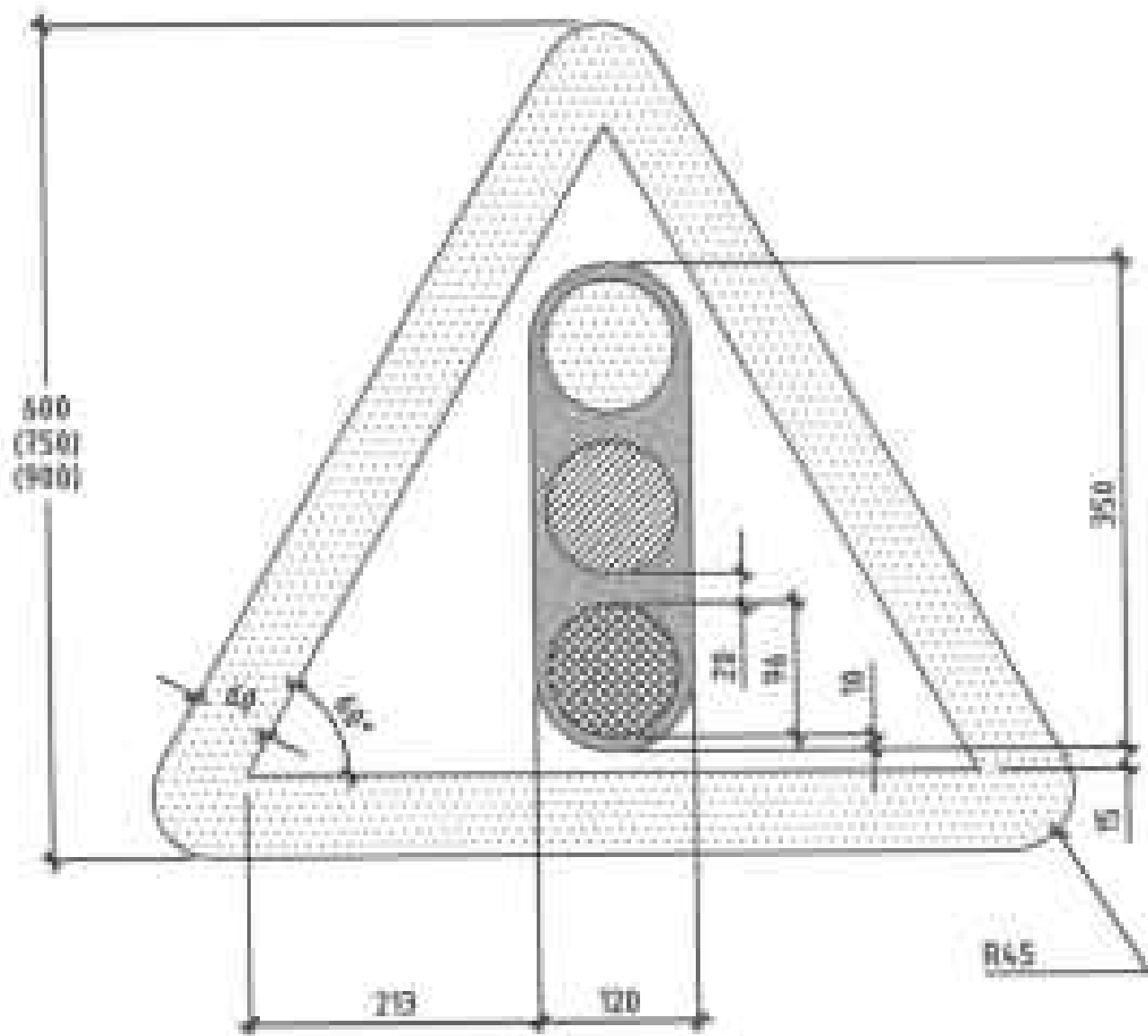
SCALE 1:5

- Notes :-
1. If using alternative overall sign dimensions, shown in brackets, the other sign dimensions must be varied proportionally.
 2. All dimensions shown in millimetres

Colours :-

□	WHITE
■	RED
■	BLACK

Department of Roads	Title :- TRAFFIC SIGNALS	Drawing No. :- B17
TRAFFIC SIGNS MANUAL		



SCALE 1:5

- Notes :-
1. If using alternative overall sign dimensions, shown in brackets, the other sign dimensions must be varied proportionally.
 2. All dimensions shown in millimetres

Colours :-

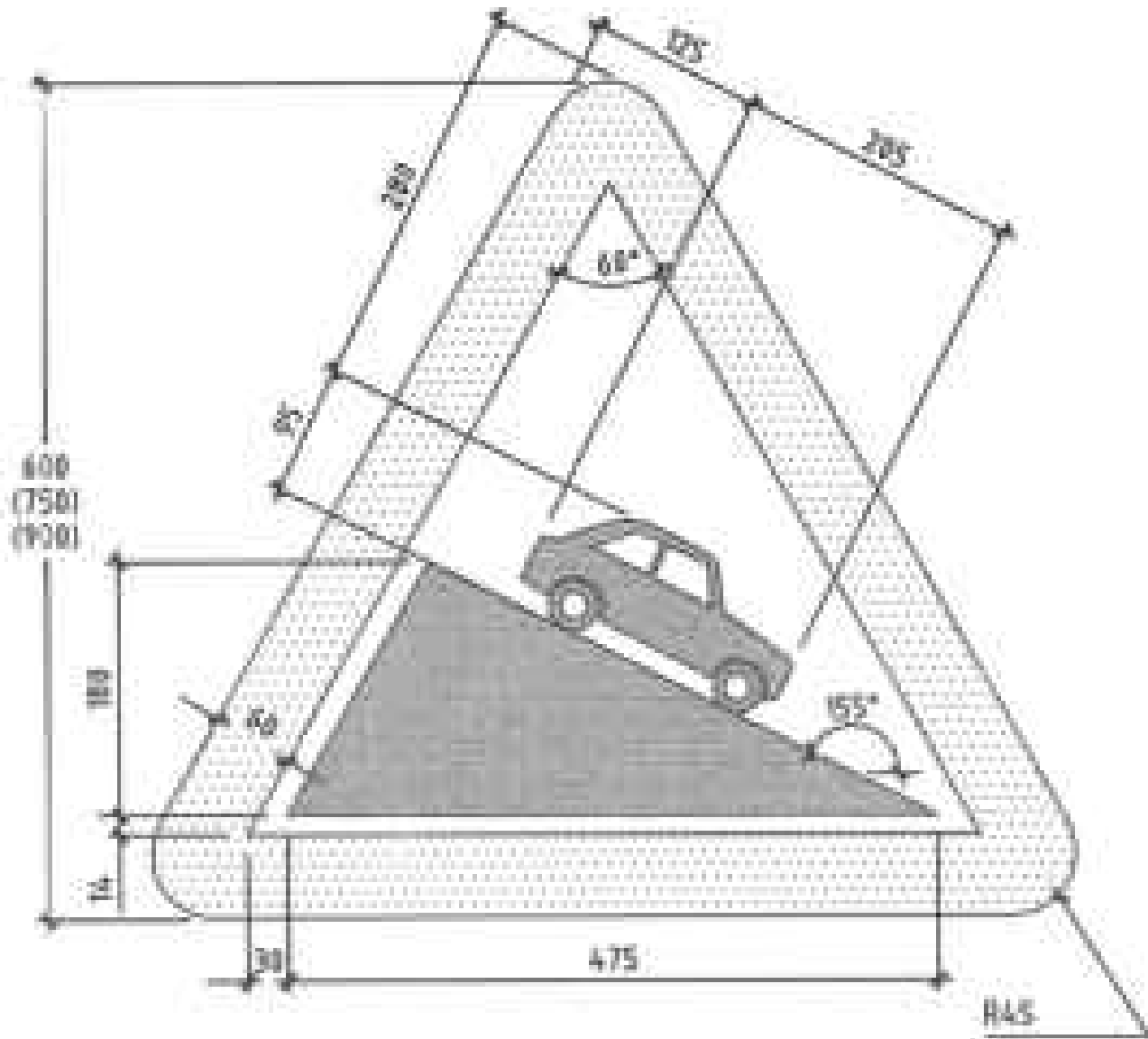
□	WHITE	▨	AMBER
▨	RED	▩	GREEN
■	BLACK		

Department of Roads

Title :-
**STEEP HILL
DOWNWARDS**

Drawing No. :-
B-18

TRAFFIC SIGNS MANUAL



SCALE 1:5

Notes :-

1. If using alternative overall sign dimensions, shown in brackets, the other sign dimensions must be varied proportionally.
2. All dimensions shown in millimetres

Colour :-

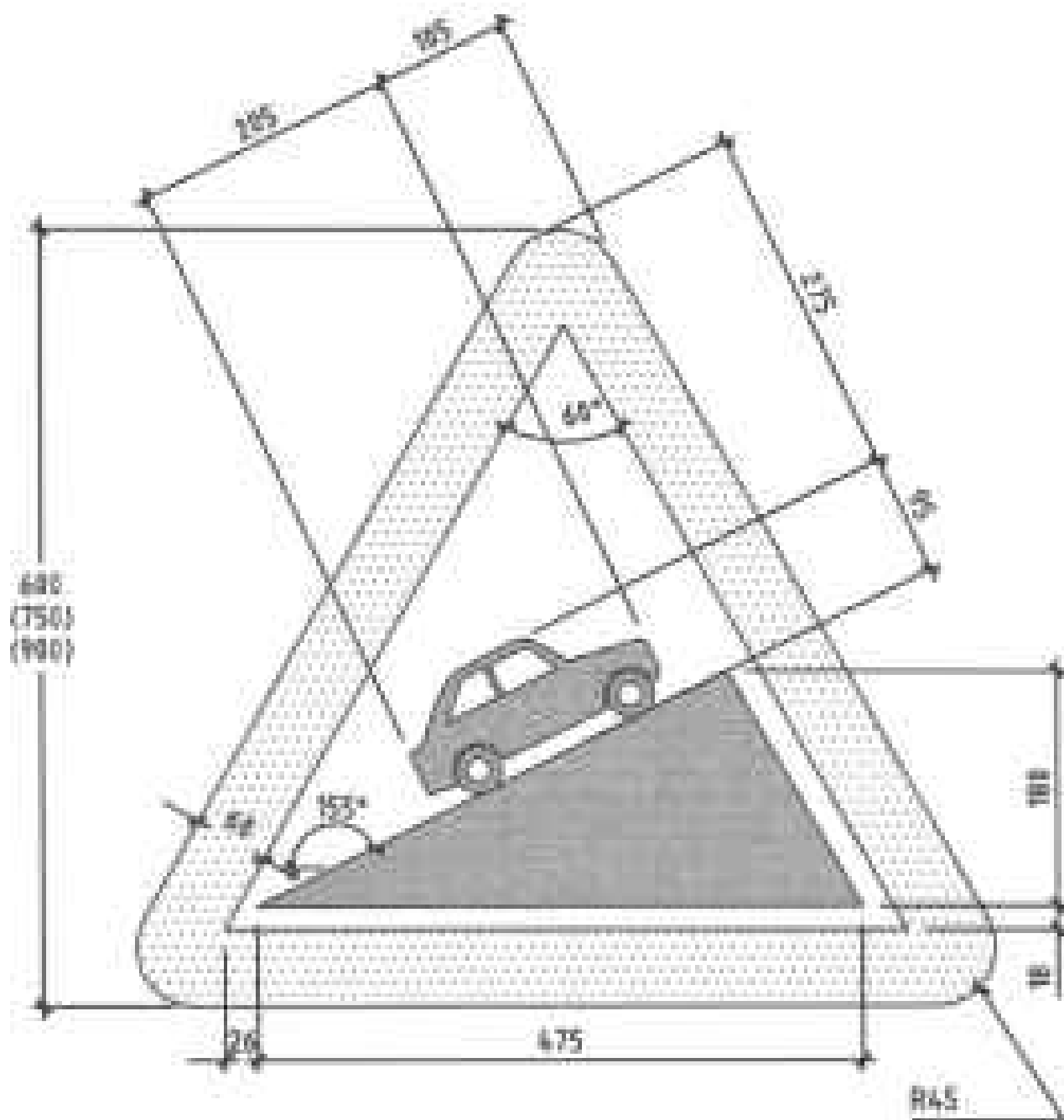
- WHITE
- BLACK
- RED

Department of Roads

Title :-
**STEEP HILL
UPWARDS**

Drawing No. :-
819

TRAFFIC SIGNS MANUAL



SCALE 1:5

Notes :-

1. If using alternative overall sign dimensions, shown in brackets, the other sign dimensions must be varied proportionally.
2. All dimensions shown in millimetres.

Colours :-

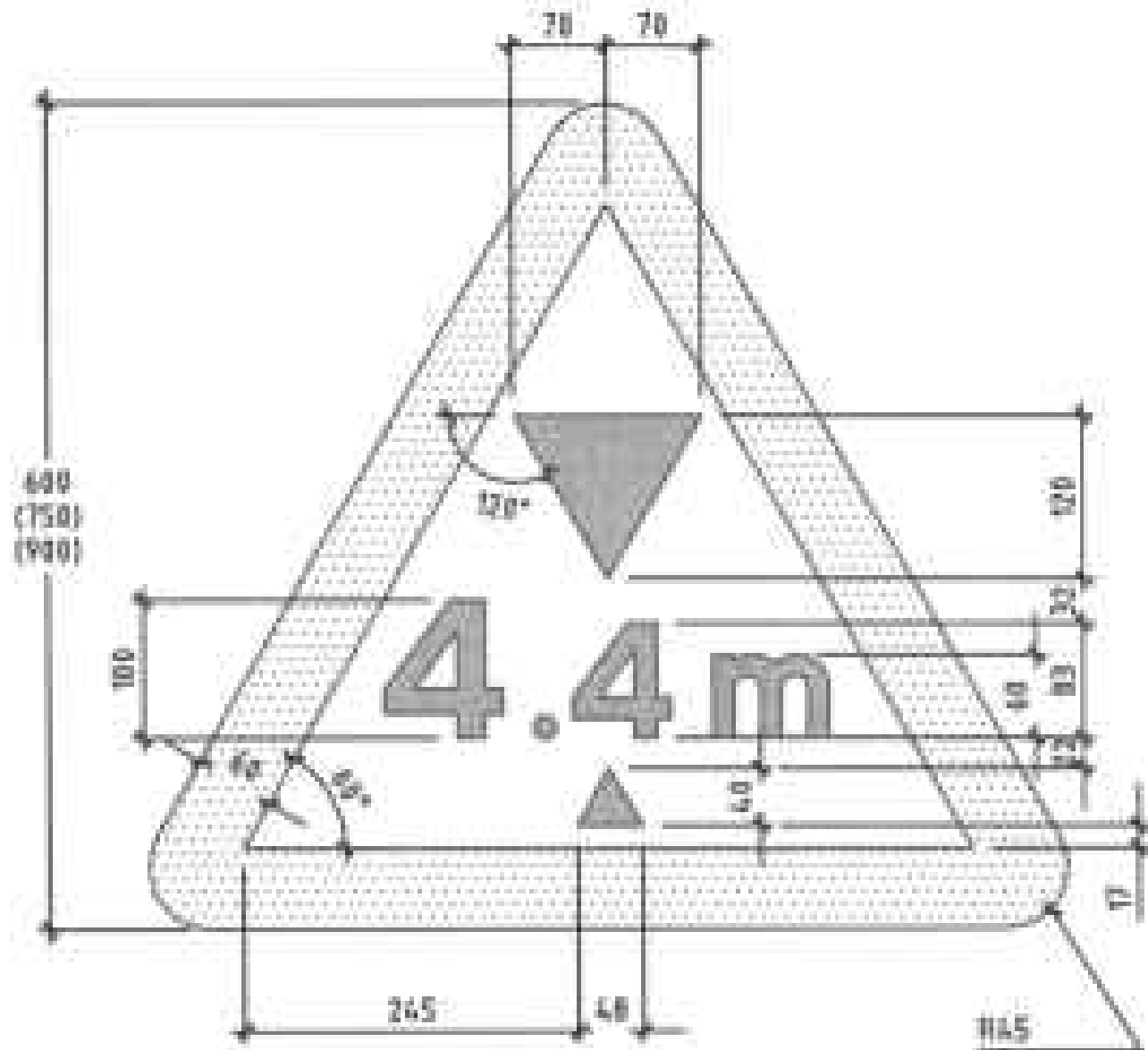
- WHITE
- BLACK
- RED

Department of Roads

Title :-
HEIGHT LIMIT
AHEAD

Drawing No. :-
820

TRAFFIC SIGNS MANUAL



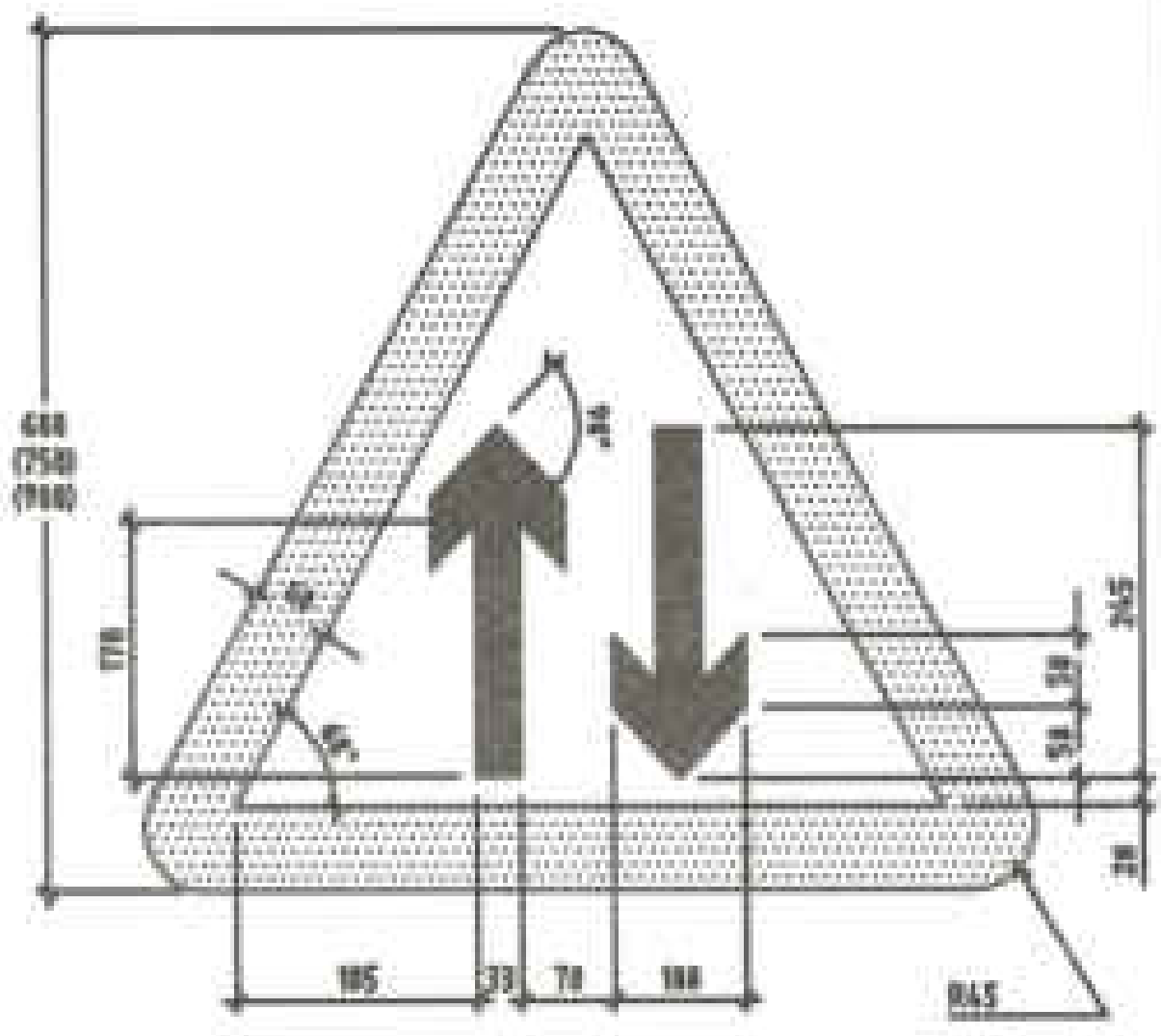
SCALE 1:5

Notes :-

1. If using alternative overall sign dimensions, shown in brackets, the other sign dimensions must be varied proportionally.
2. All dimensions shown in millimetres.

Colours :-

- WHITE
- BLACK
- RED

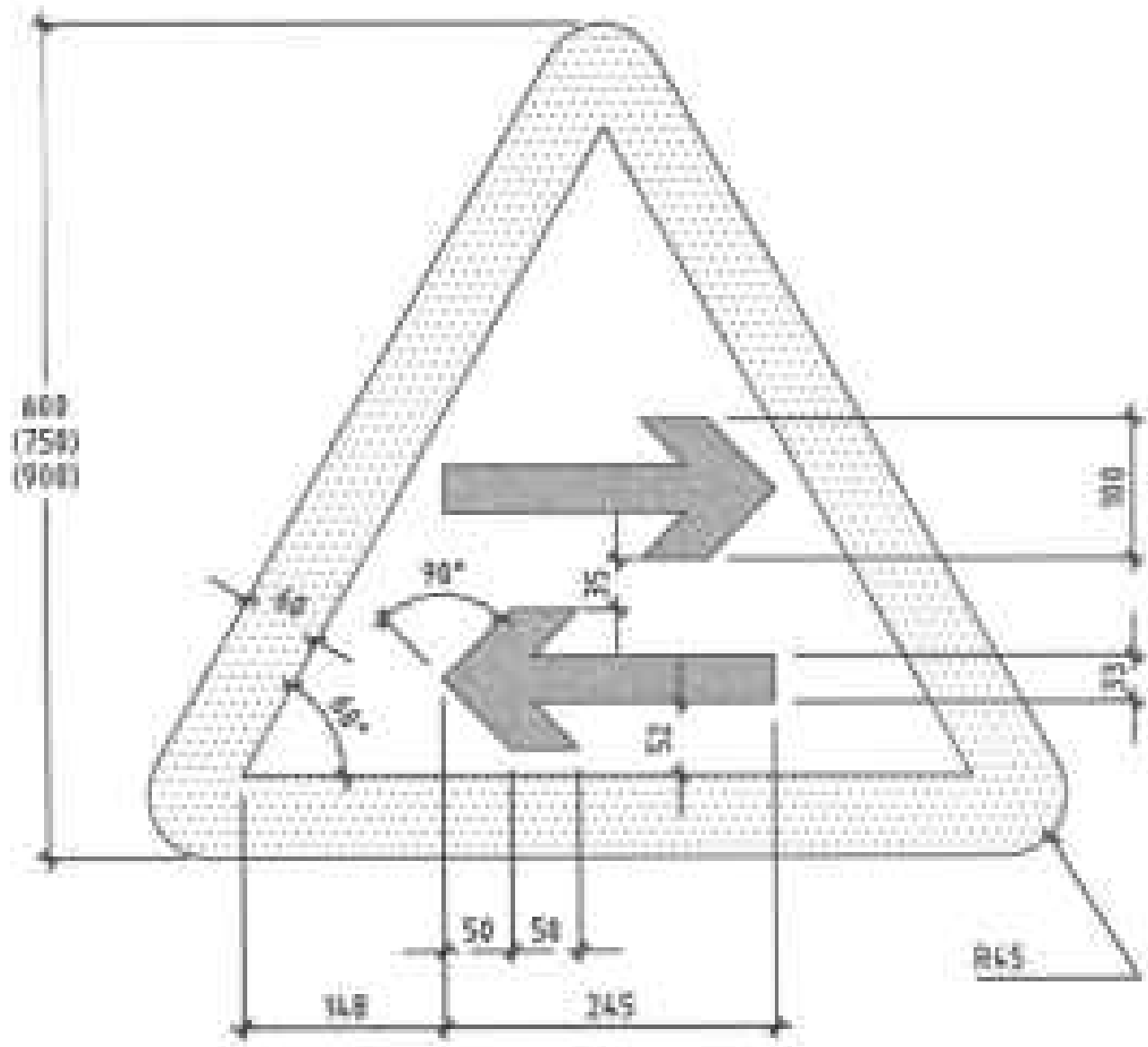


SCALE 1:5

Notes :-
 1. If using alternative overall sign dimensions, those in brackets, the other sign dimensions must be varied proportionally.
 2. All dimensions given in millimetres

Colours :-
 [White box] WHITE
 [Black box] BLACK
 [Red box] RED

Department of Roads	Title - TWO-WAY TRAFFIC CROSSES ONE-WAY ROAD	Drawing No. - B22
TRAFFIC SIGNS MANUAL		



SCALE 1:5

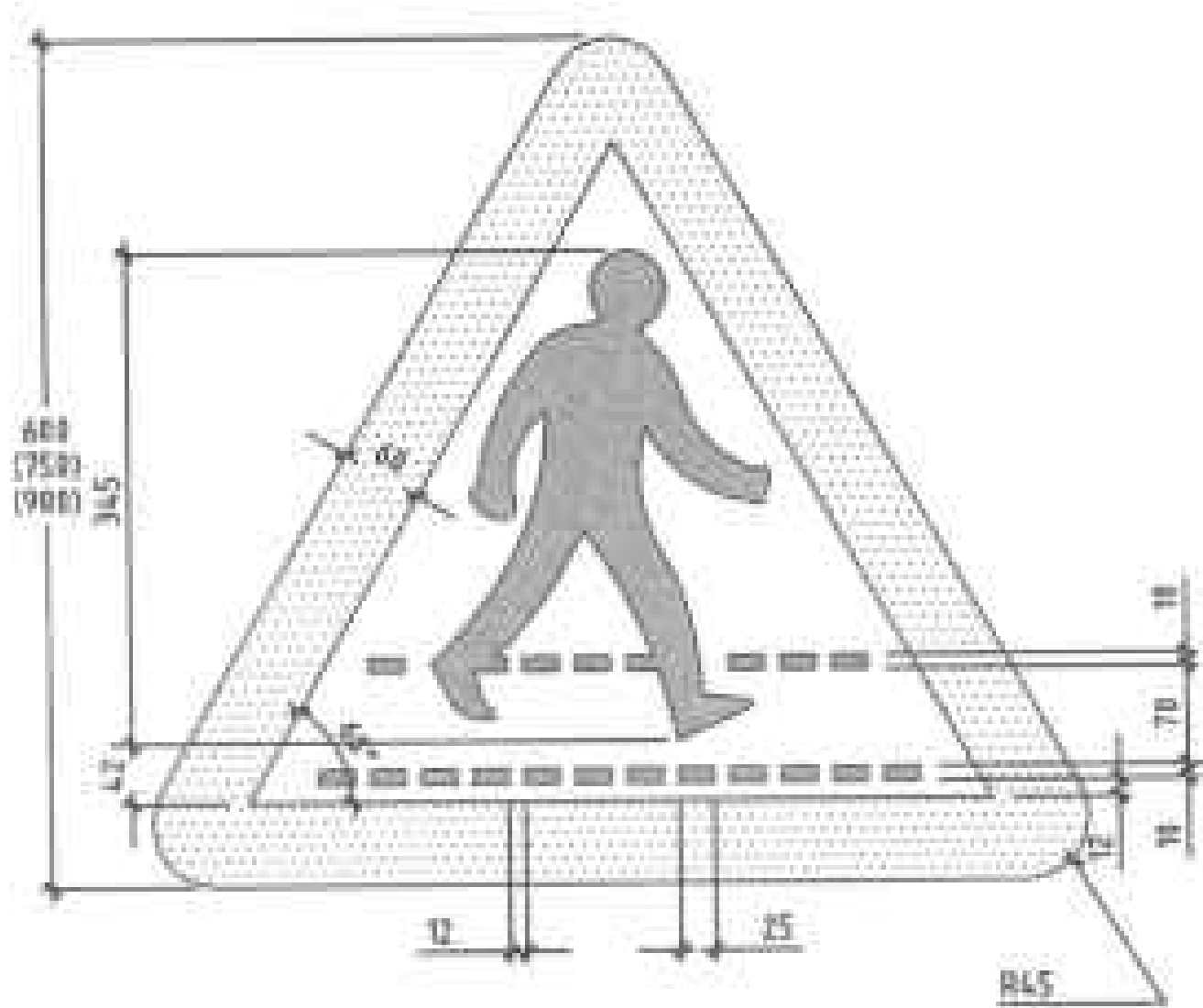
Notes :-

1. If using alternative overall sign dimensions, shown in brackets, the other sign dimensions must be varied proportionally.
2. All dimensions shown in millimetres.

Colours :-

- WHITE
- BLACK
- RED

Department of Roads	Title — PEDESTRIAN CROSSING	Drawing No. — B23
TRAFFIC SIGNS MANUAL		






SCALE 1:5

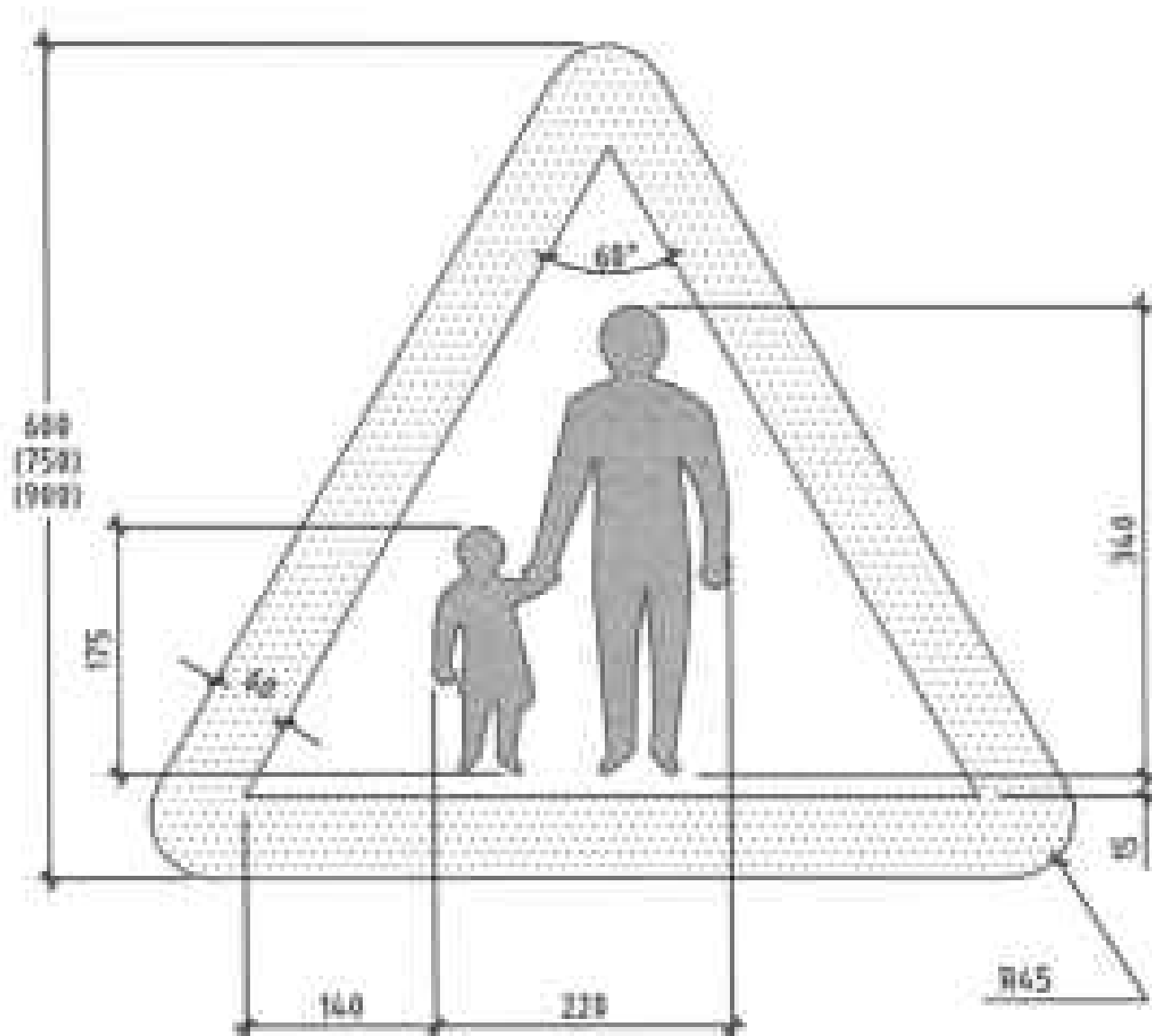
Notes —

1. If using alternative overall sign dimensions, shown in brackets, the other sign dimensions must be varied proportionally.
2. All dimensions shown in millimetres

Colours —

	WHITE
	BLACK
	RED

Department of Roads	Title :- PEDESTRIAN IN ROAD AHEAD	Drawing No. :- 824
TRAFFIC SIGNS MANUAL		



SCALE 1:5

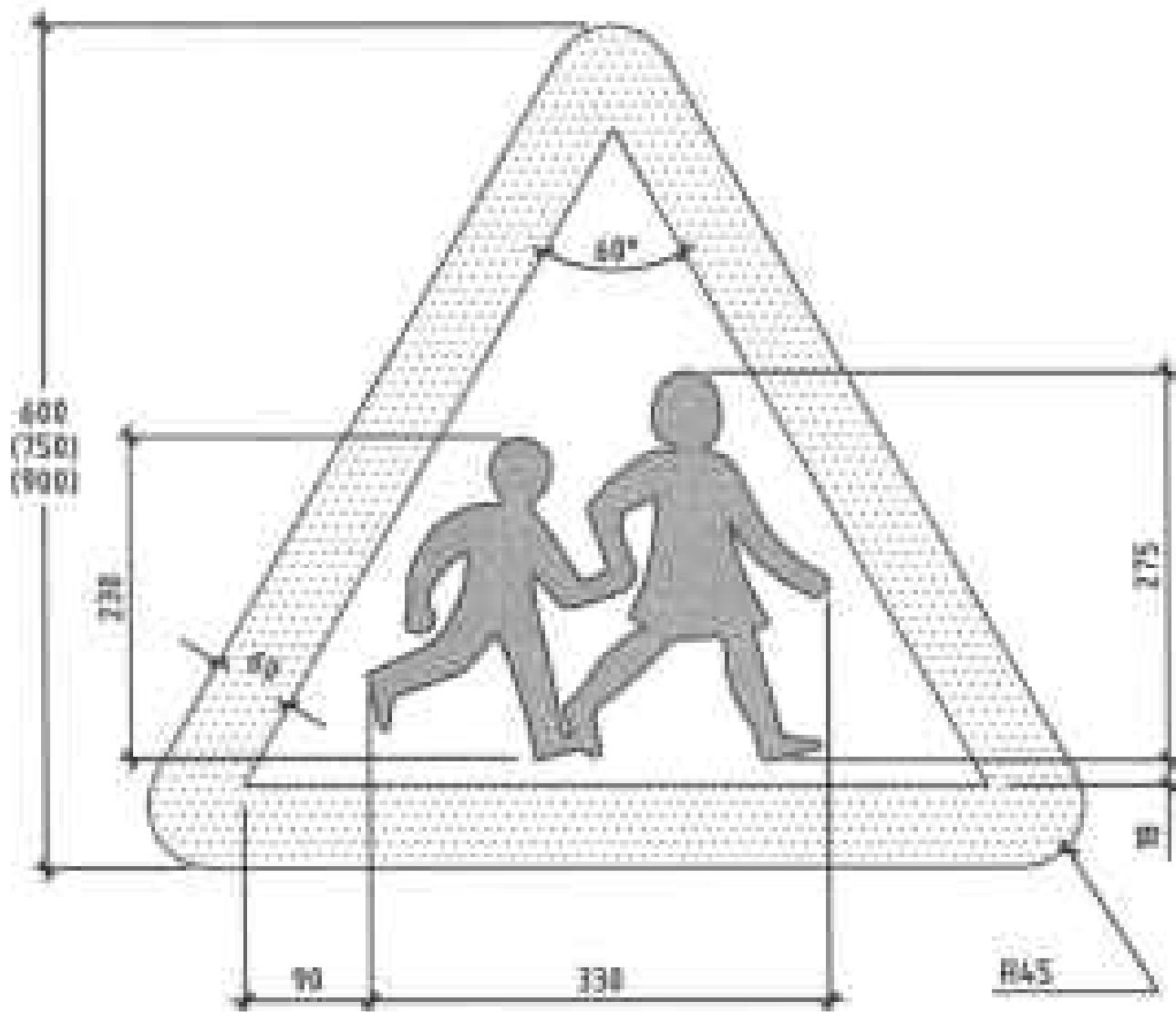
Notes :-

1. If using alternative overall sign dimensions, shown in brackets, the other sign dimensions must be varied proportionally.
2. All dimensions shown in millimetres

Colours :-

□	WHITE
■	BLACK
▨	RED

Department of Roads	Title :- CHILDREN	Drawing No. :- 825
TRAFFIC SIGNS MANUAL		



SCALE 1:5

Notes :-

1. If using alternative overall sign dimensions, shown in brackets, the other sign dimensions must be varied proportionally.
2. All dimensions shown in millimetres

Colours :-

- WHITE
- BLACK
- RED

Department of Roads

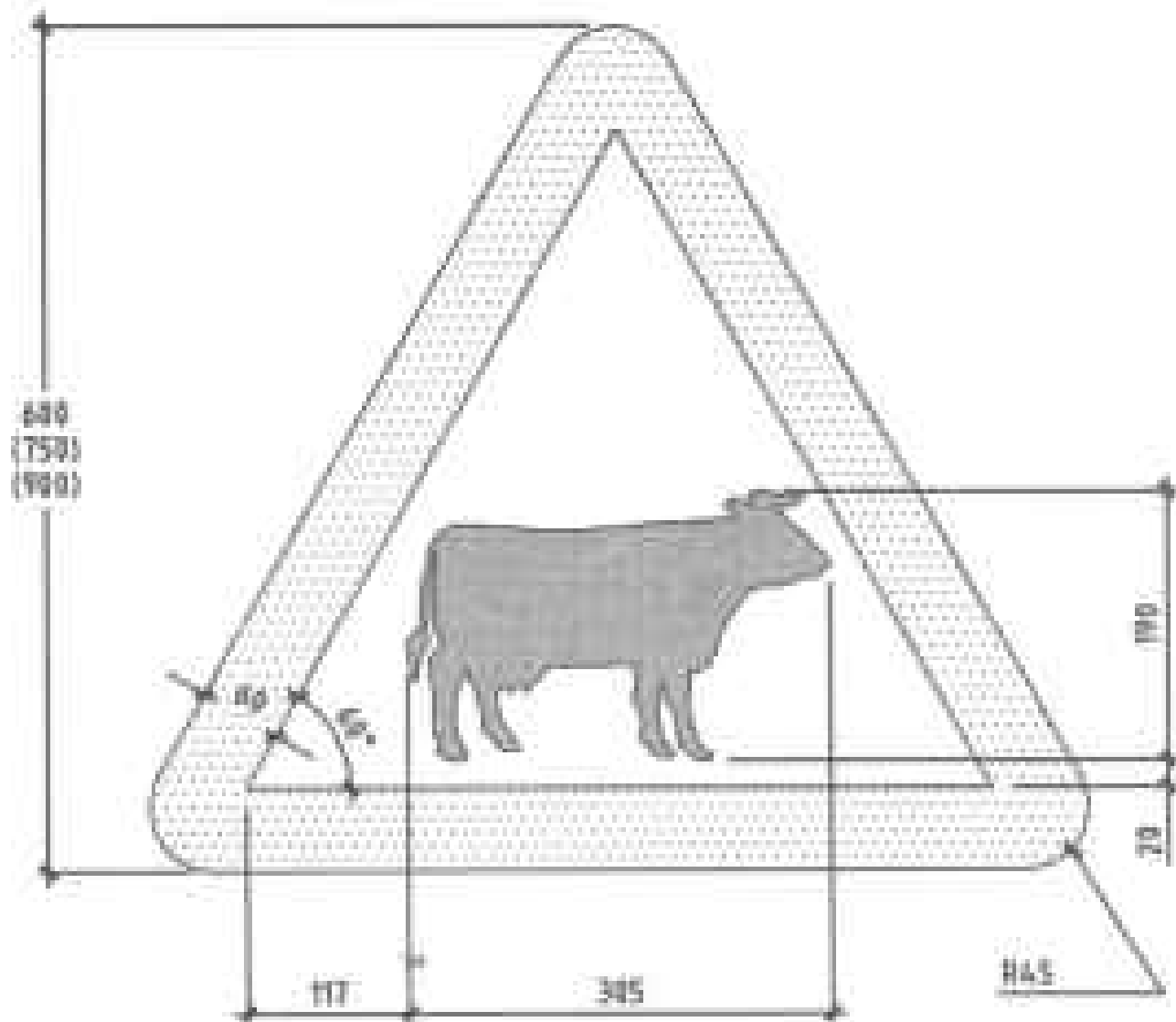
TIRa -

CATTLE

Drawing No. -

B26

TRAFFIC SIGNS MANUAL



SCALE 1:5

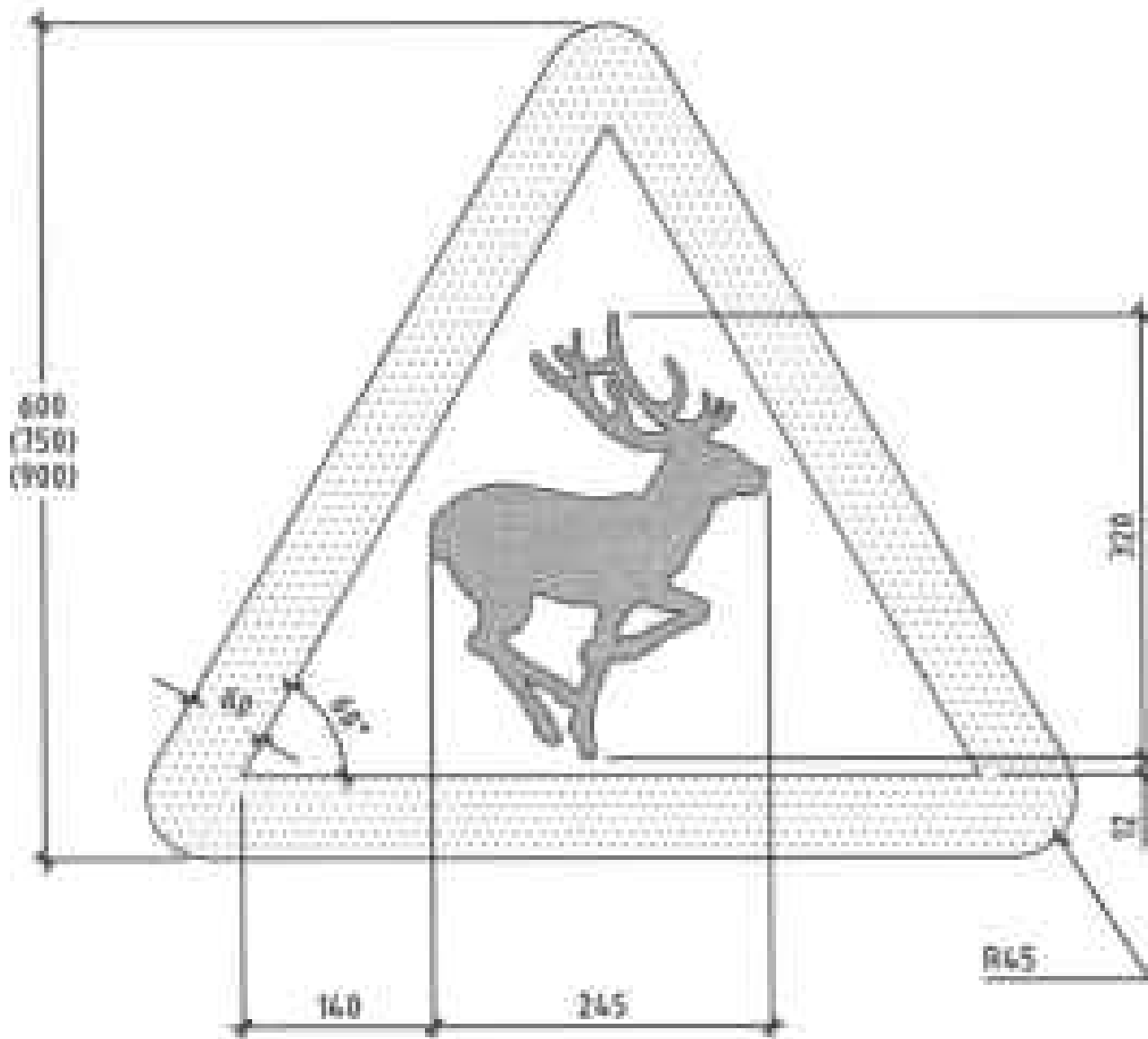
Notes -

1. If using alternative overall sign dimensions, shown in brackets, the other sign dimensions must be varied proportionally.
2. All dimensions shown in millimetres

Colours -

- WHITE
- BLACK
- RED

Department of Roads	Title - WILD ANIMALS	Drawing No. - B27
TRAFFIC SIGNS MANUAL		



SCALE 1:5

Notes -

1. If using alternative overall sign dimensions, shown in brackets, the other sign dimensions must be varied proportionally.
2. All dimensions shown in millimetres.

Colours -

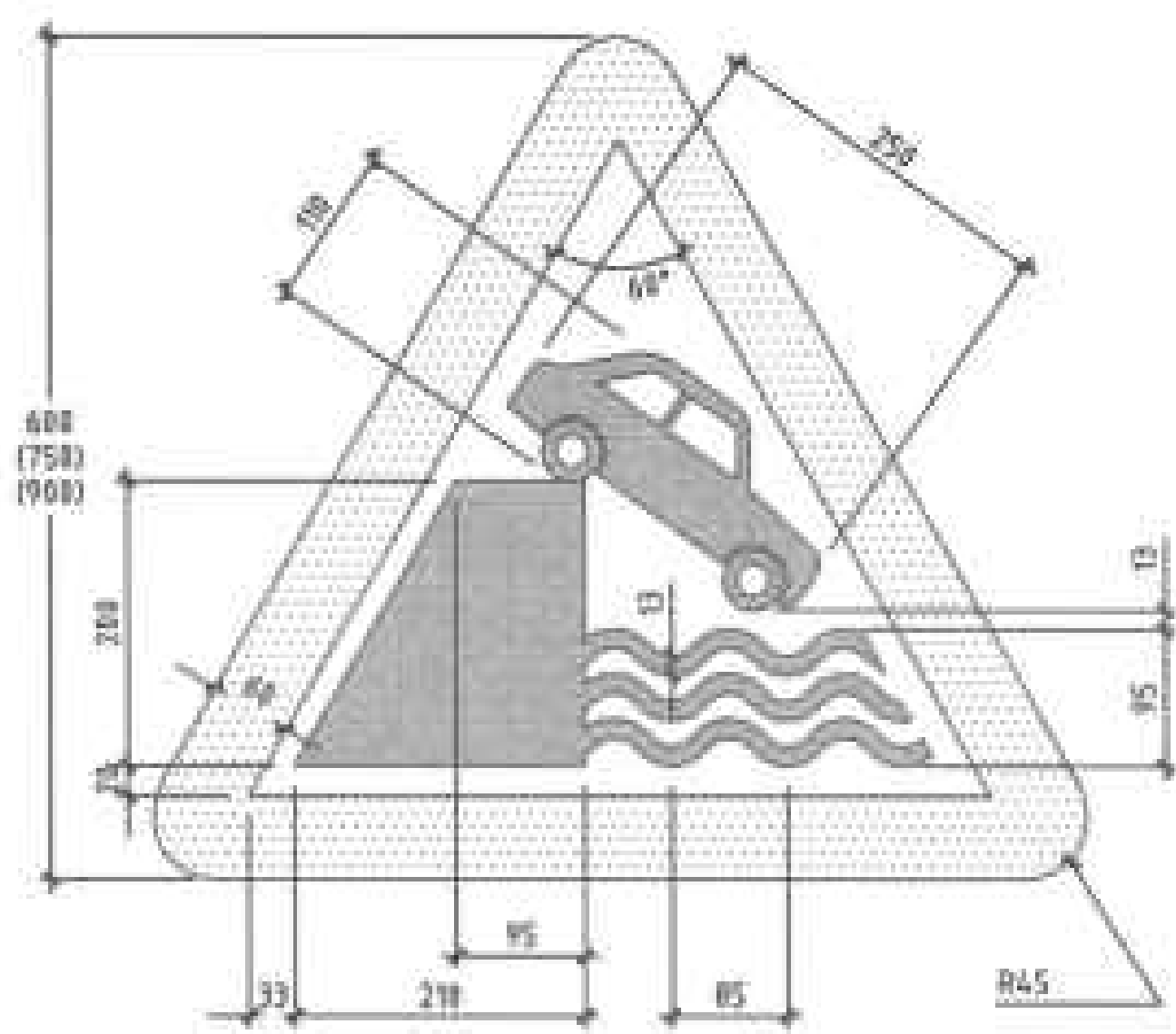
- WHITE
- BLACK
- RED

Department of Roads

Title :-
RIVER BANK

Drawing No. :-
B28

TRAFFIC SIGNS MANUAL

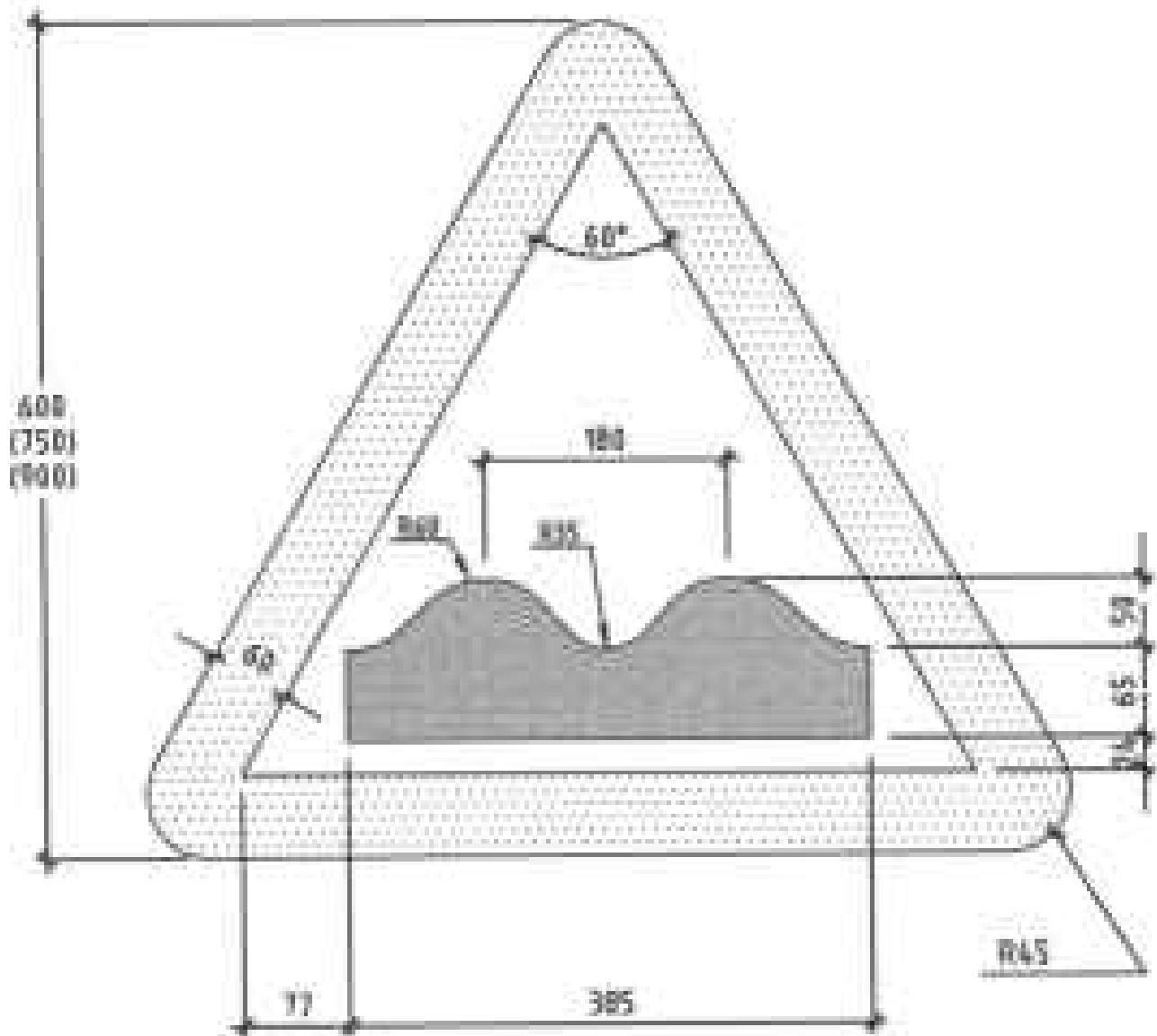


SCALE 1:5

Notes :-
1. If using alternative overall sign dimensions, shown in brackets, the other sign dimensions must be varied proportionately.
2. All dimensions shown in millimetres

Colours :-
□ WHITE
■ BLACK
▨ RED

Department of Roads	Title :- UNEVEN ROAD	Drawing No. :- B29
TRAFFIC SIGNS MANUAL		



SCALE 1:5

- Notes :-
1. If using alternative overall sign dimensions, shown in brackets, the other sign dimensions must be varied proportionally
 2. All dimensions shown in millimetres

Colours :-

	WHITE
	BLACK
	RED

Department of Roads

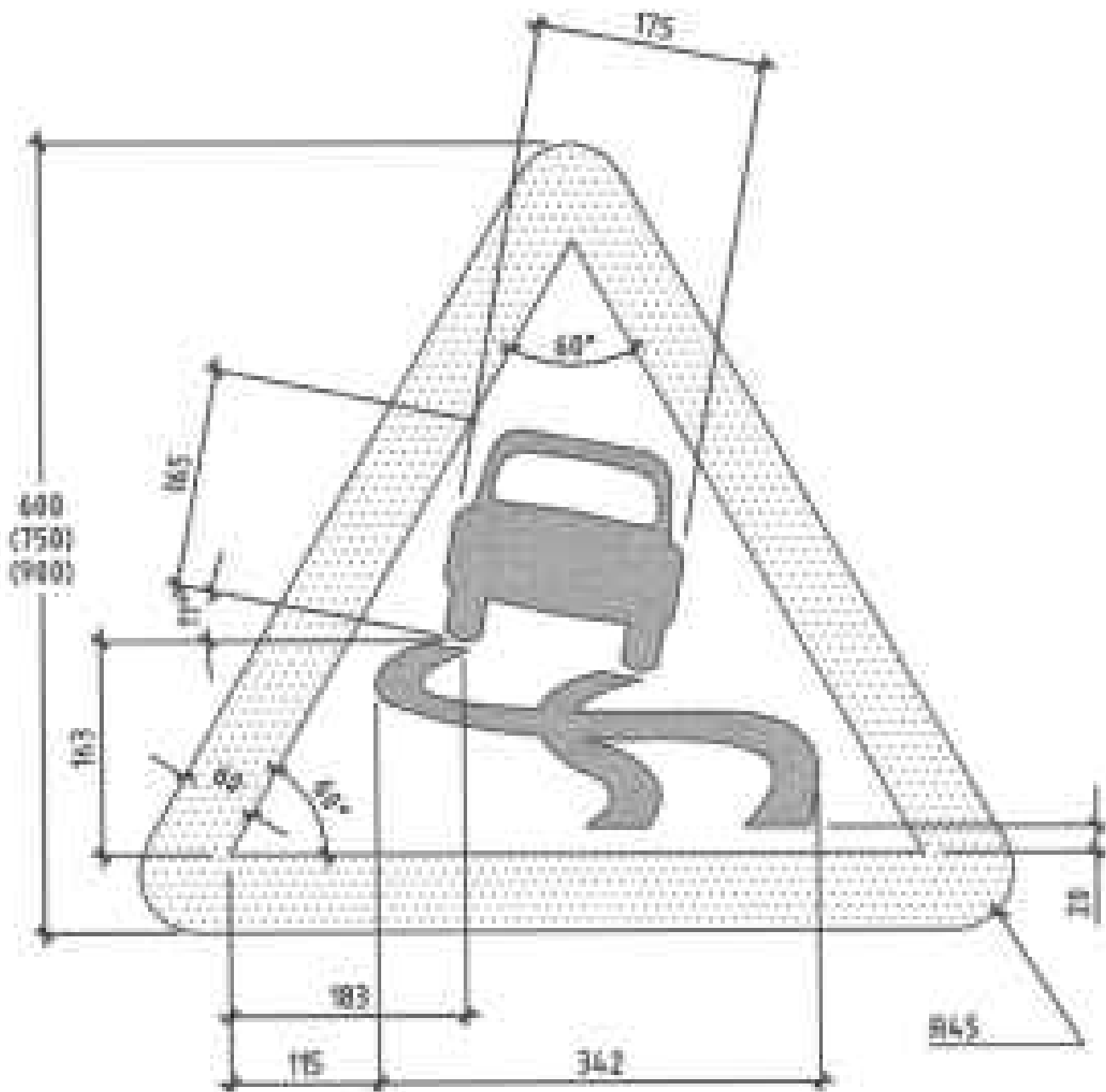
Title -

SLIPPERY ROAD

Drawing No. -

839

TRAFFIC SIGNS MANUAL



SCALE 1:5

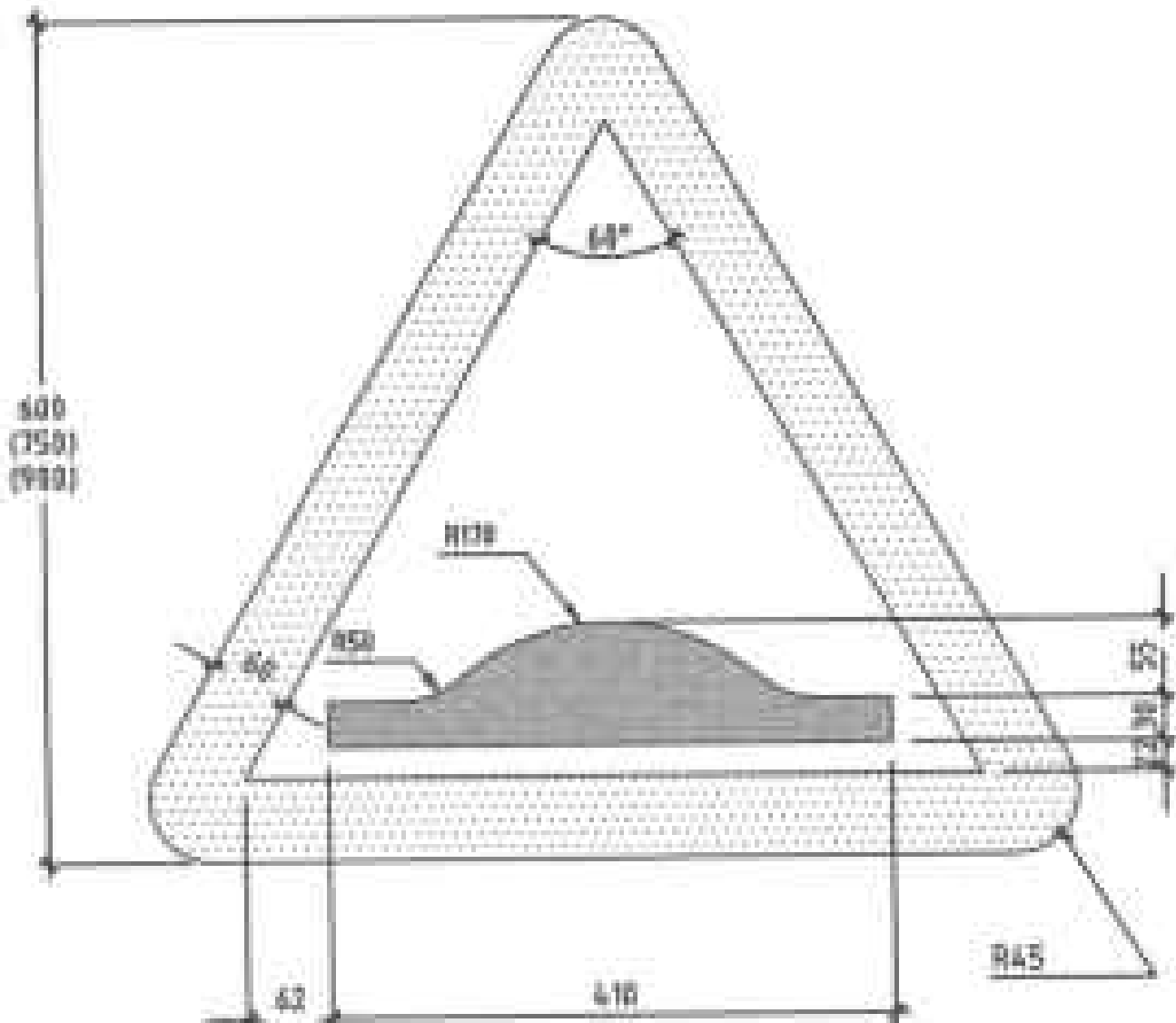
Notes -

- 1. If using alternative overall sign dimensions, shown in brackets, the other sign dimensions must be varied proportionally.
- 2. All dimensions shown in millimetres.

Colour -

- WHITE
- BLACK
- RED

Department of Roads	Title — ROAD HUMP	Drawing No. — 831
TRAFFIC SIGNS MANUAL		



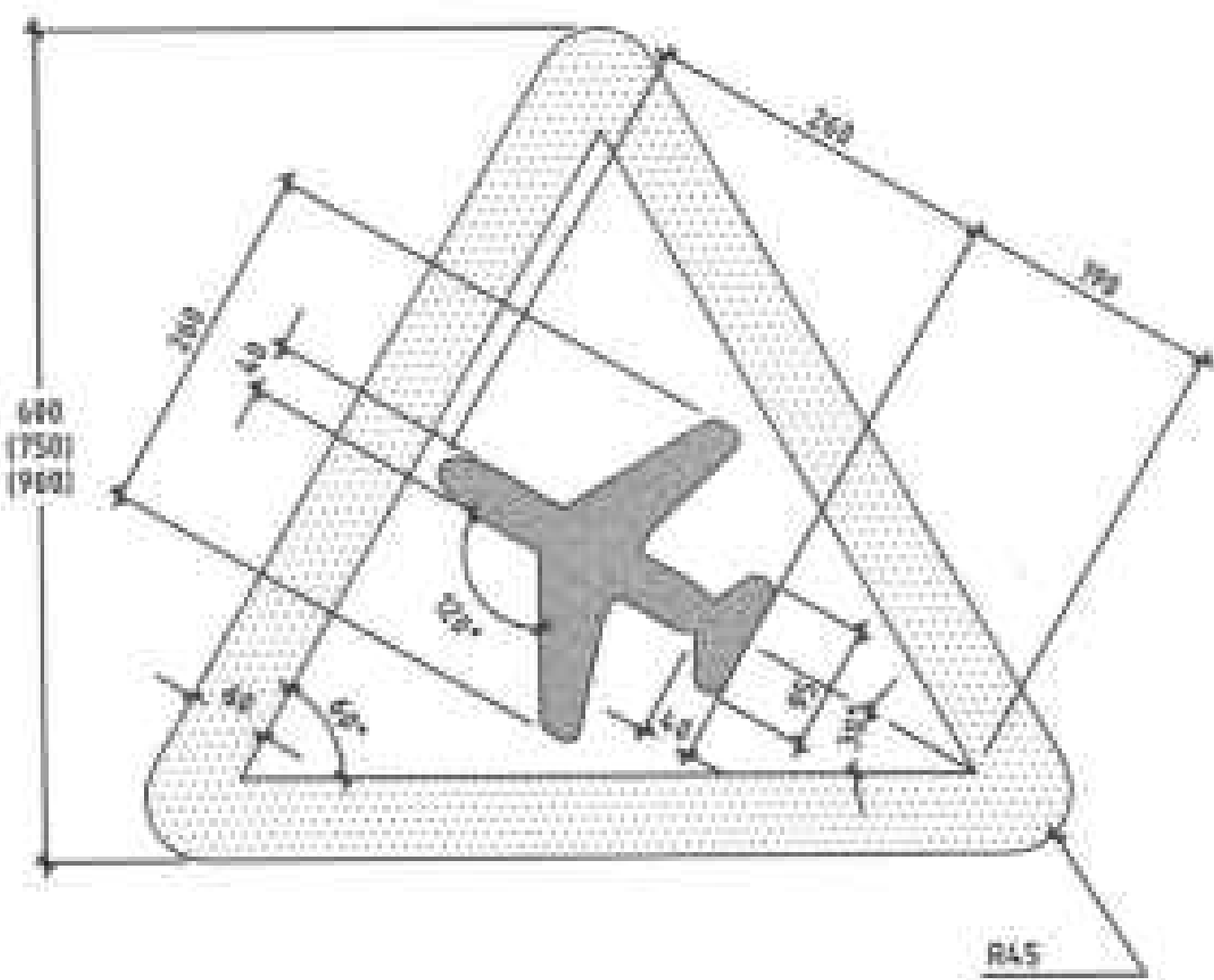
SCALE 1:5

Notes —
 1. If using alternative overall sign dimensions, shown in brackets, the other sign dimensions must be varied proportionally.
 2. All dimensions shown in millimetres

Colour —

	WHITE
	BLACK
	RED

Department of Roads	Title — LOW FLYING AIRCRAFT	Drawing No. — B32
TRAFFIC SIGNS MANUAL		



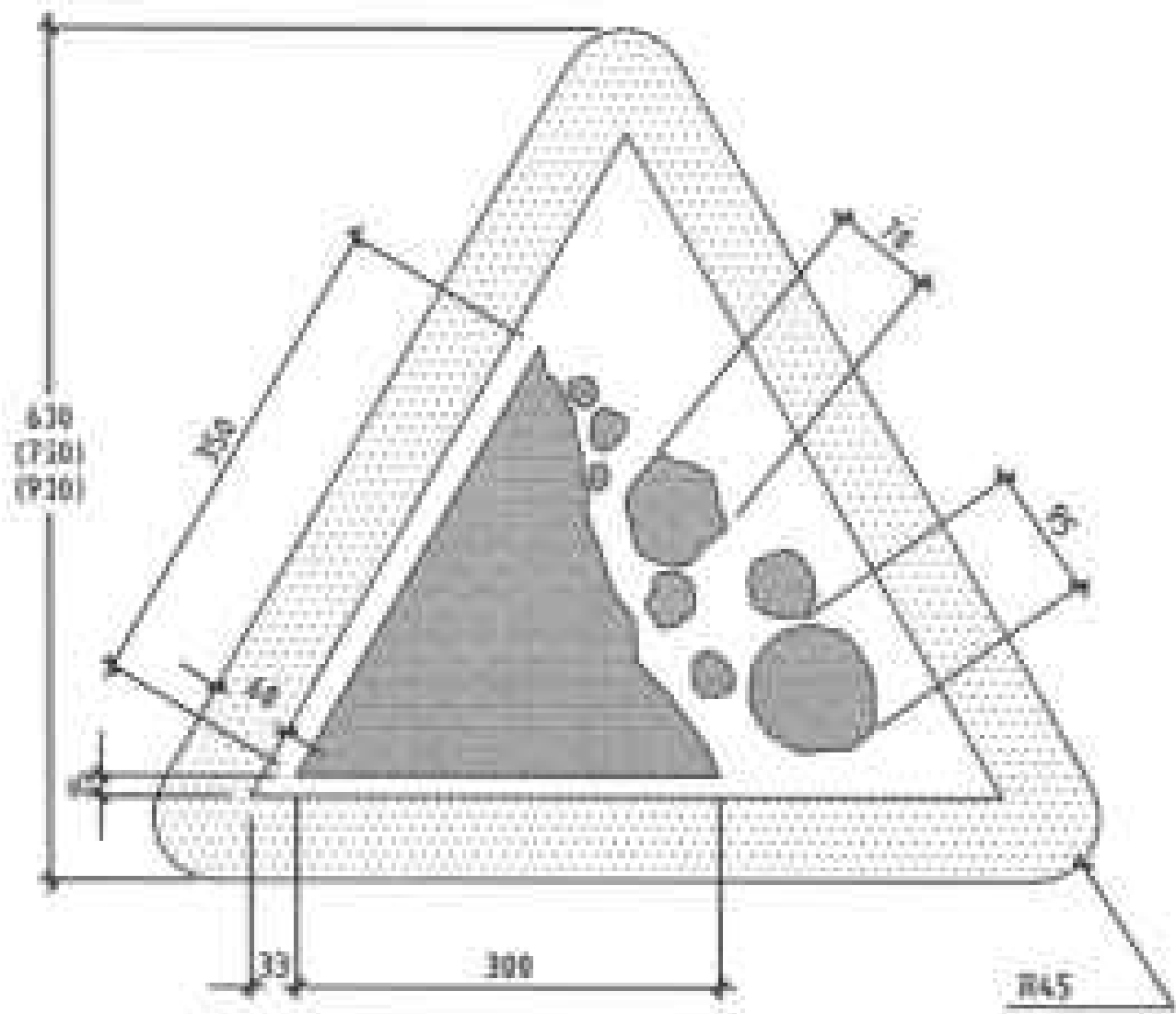
SCALE 1:5

- Notes —
1. If using alternative overall sign dimensions, shown in brackets, the other sign dimensions must be varied proportionally.
 2. All dimensions shown in millimetres

Colours —

□	WHITE
■	BLACK
▤	RED

Department of Roads	Title :- FALLING ROCKS (SYMBOL MAY BE REVERSED)	Drawing No. :- 833
TRAFFIC SIGNS MANUAL		



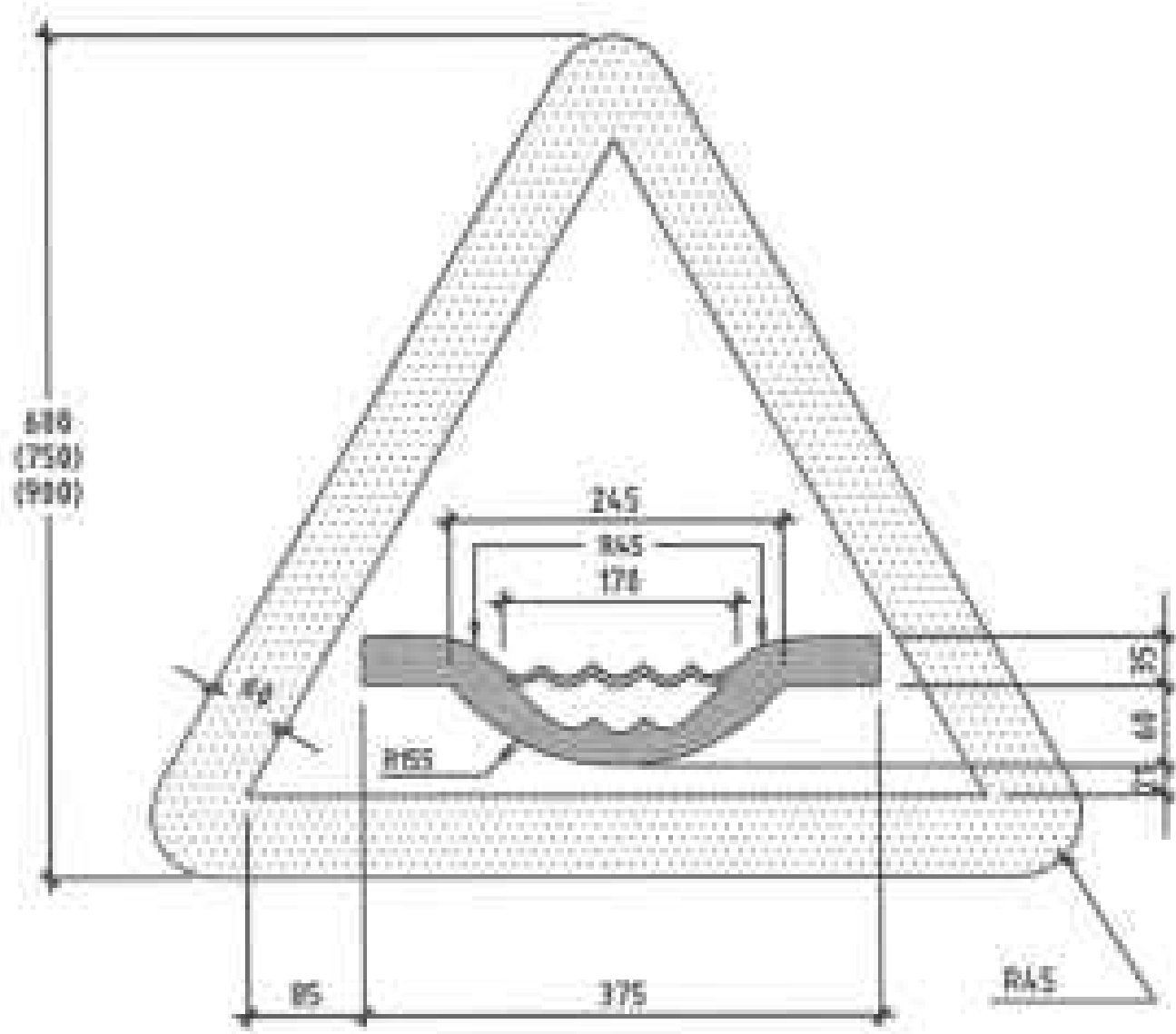
SCALE 1:5

Notes :-
 1. If using alternative overall sign dimensions, shown in brackets, the other sign dimensions must be varied proportionally.
 2. All dimensions shown in millimetres

Colors :-

□	WHITE
■	BLACK
□	RED

Department of Roads	Title :- DANGEROUS DIP	Drawing No. :- B34
TRAFFIC SIGNS MANUAL		

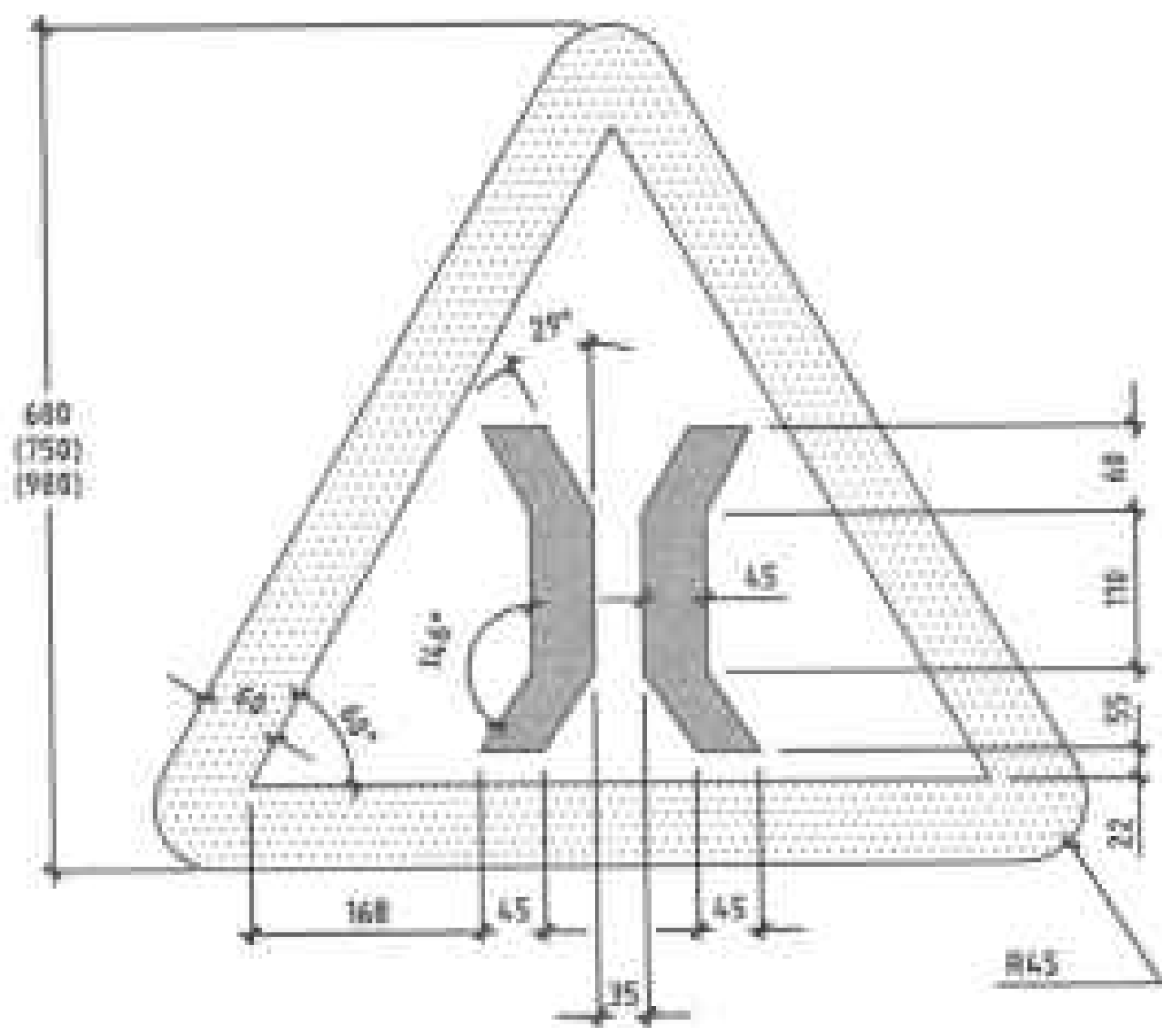


SCALE 1:5

Notes :-
 1. If using alternative overall sign dimensions, shown in brackets, the other sign dimensions must be varied proportionally.
 2. All dimensions shown in alternative

Colours :-
 [] WHITE
 [] BLACK
 [] RED

Department of Roads	Title :- NARROW BRIDGE	Drawing No. :- 835
TRAFFIC SIGNS MANUAL		



SCALE 1:5

Notes :-
 1. If using alternative overall sign dimensions, shown in brackets, the other sign dimensions must be varied proportionally.
 2. All dimensions shown in millimetres

Colours :-

□	WHITE
■	BLACK
▭	RED

Department of Roads

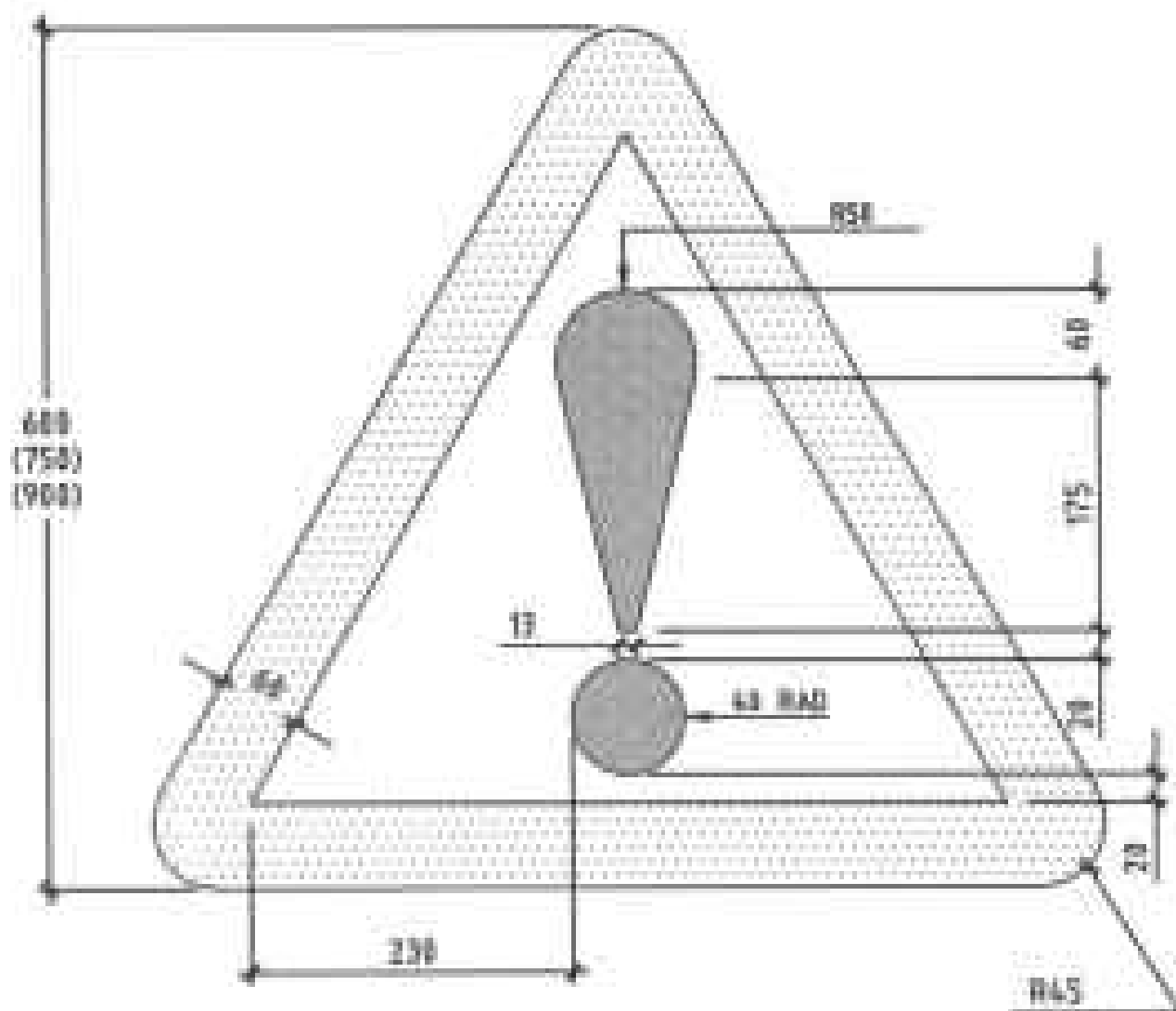
Title :-

OTHER DANGER

Drawing No. :-

835

TRAFFIC SIGNS MANUAL



SCALE 1:5

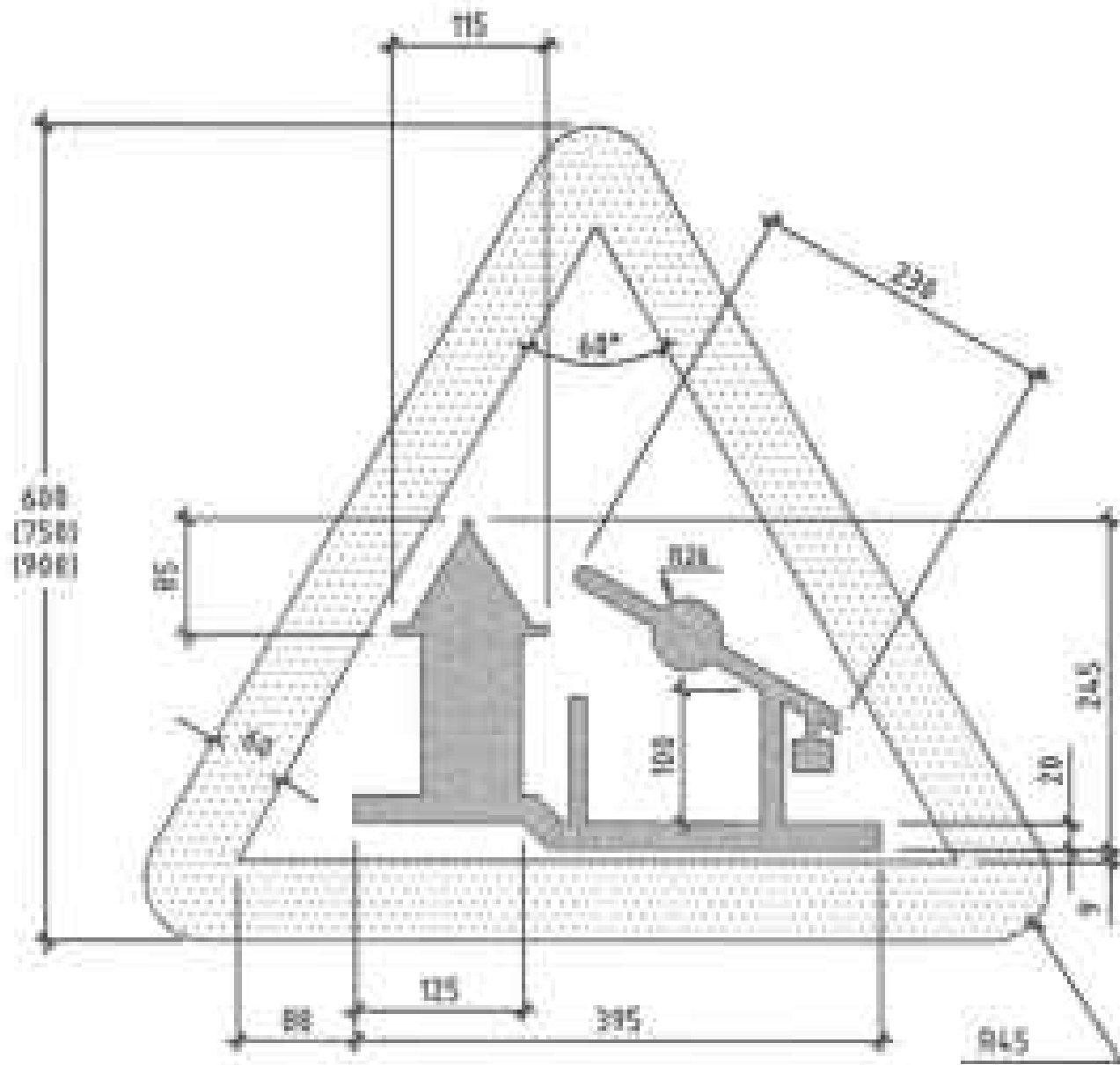
Notes :-

1. If using alternative overall sign dimensions, shown in brackets, the other sign dimensions must be varied proportionally.
2. All dimensions shown in millimetres.

Colors :-

- WHITE
- BLACK
- RED

Department of Roads	Title :- CHECKPOINT	Drawing No. :- 837
TRAFFIC SIGNS MANUAL		



SCALE 1:5

Notes :-

1. If using alternative overall sign dimensions, shown in brackets, the other sign dimensions must be varied proportionally.
2. All dimensions shown in millimetres

Colours :-

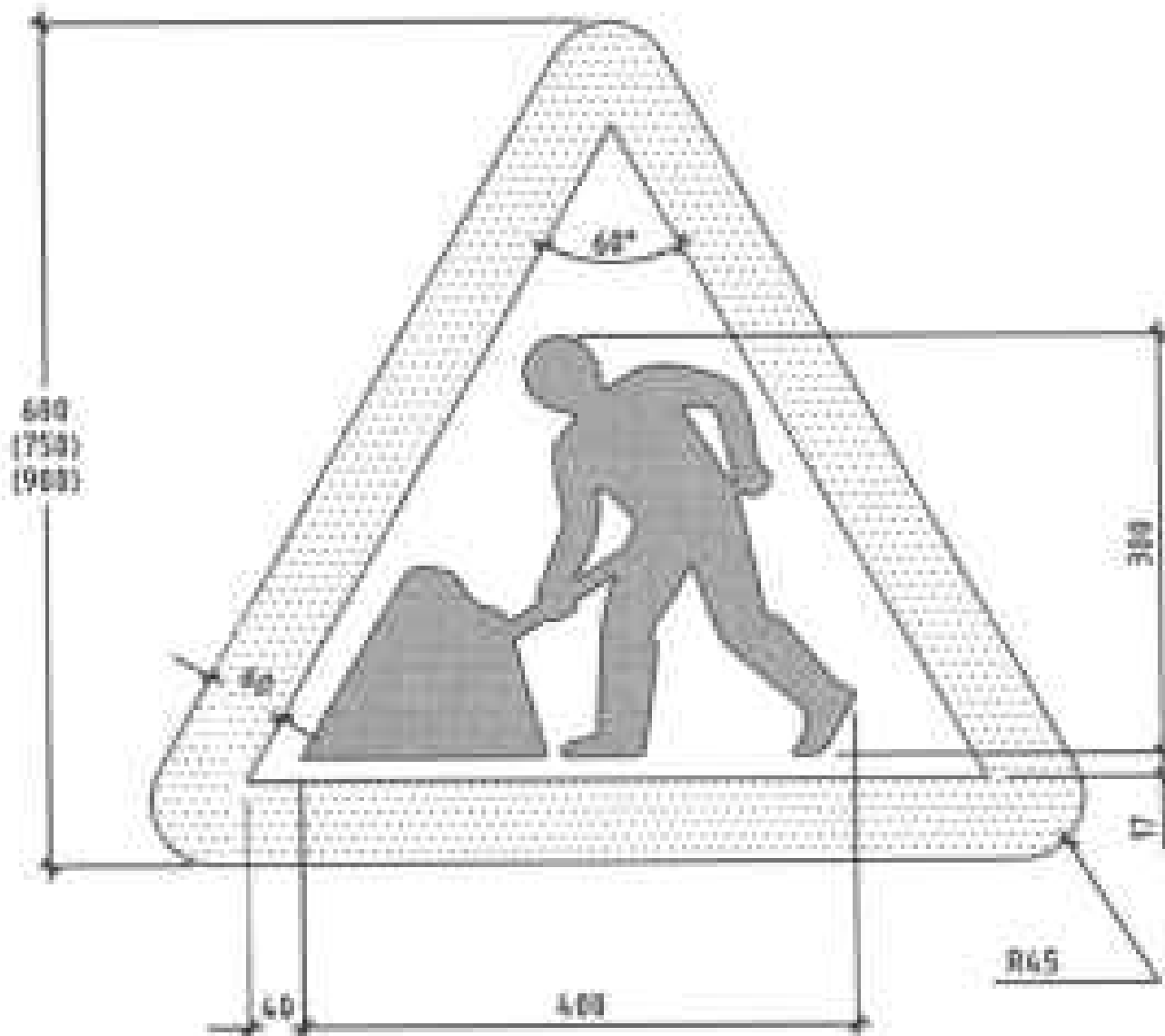
- WHITE
- BLACK
- RED

Department of Roads

Title :-
ROAD WORKS

Drawing No. :-
B38

TRAFFIC SIGNS MANUAL



SCALE 1/5

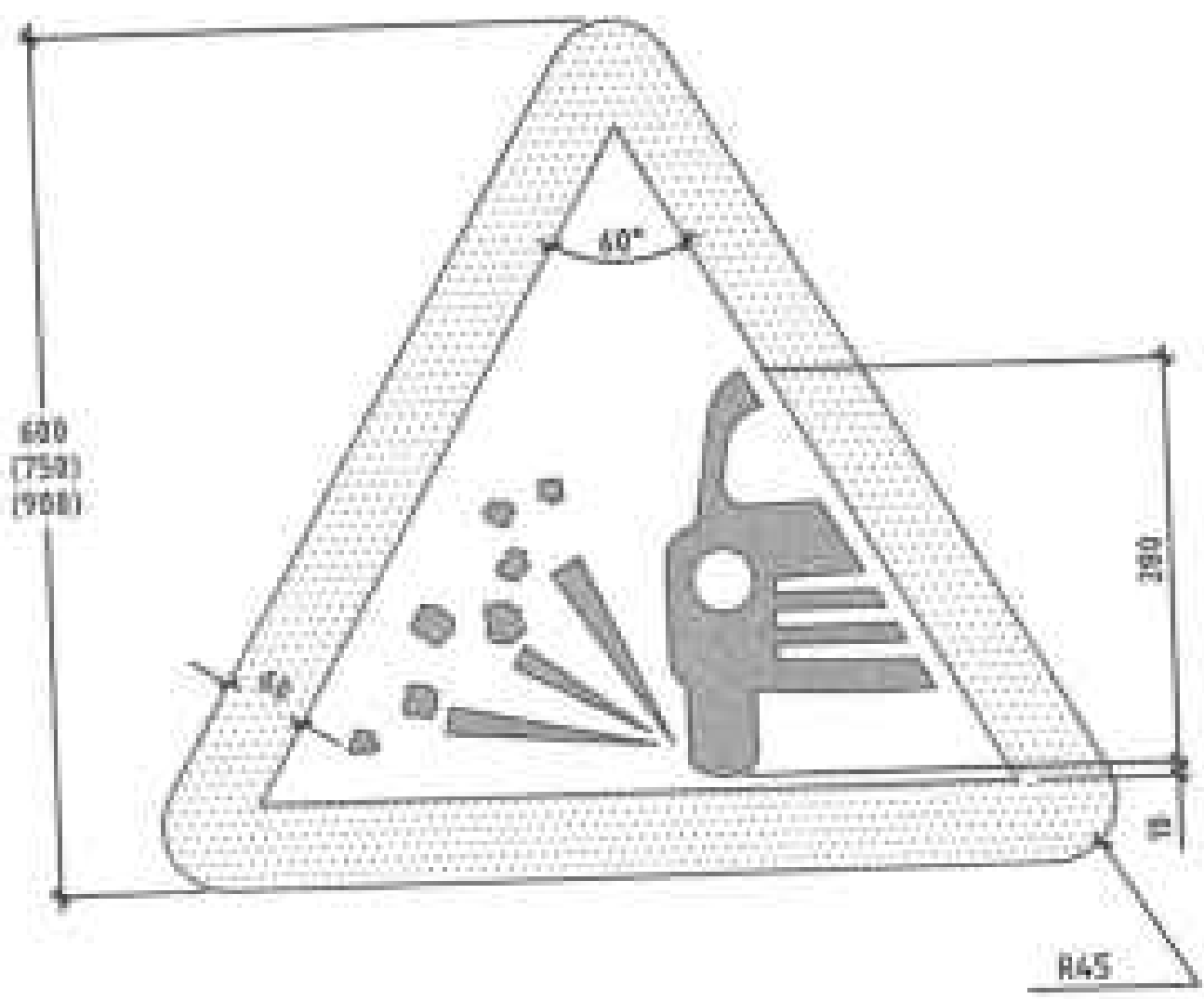
Notes :-

1. If using alternative overall sign dimensions, shown in brackets, the other sign dimensions must be varied proportionally.
2. All dimensions shown in millimetres.

Colours :-

- WHITE
- BLACK
- RED

Department of Roads	Title - LOOSE CHIPPINGS	Drawing No. - B39
TRAFFIC SIGNS MANUAL		



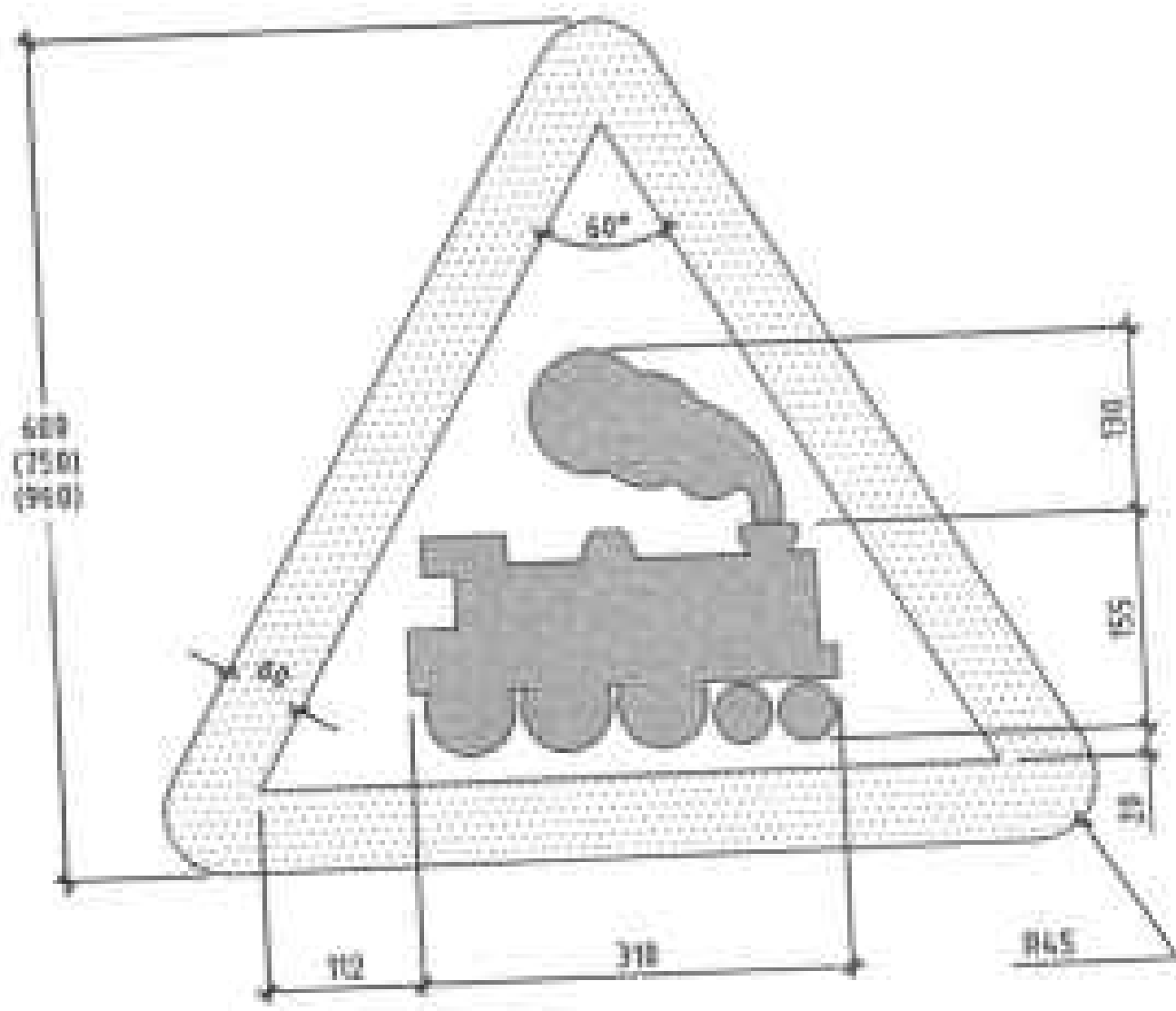
SCALE 1:5

Notes -
 1. If using alternative overall sign dimensions, shown in brackets, the other sign dimensions must be varied proportionally.
 2. All dimensions shown in millimetres

Colours -

	WHITE
	BLACK
	RED

Department of Roads	Title :- RAILWAY LEVEL CROSSING WITHOUT GATE OR BARRIER	Drawing No. :- 840
TRAFFIC SIGNS MANUAL		



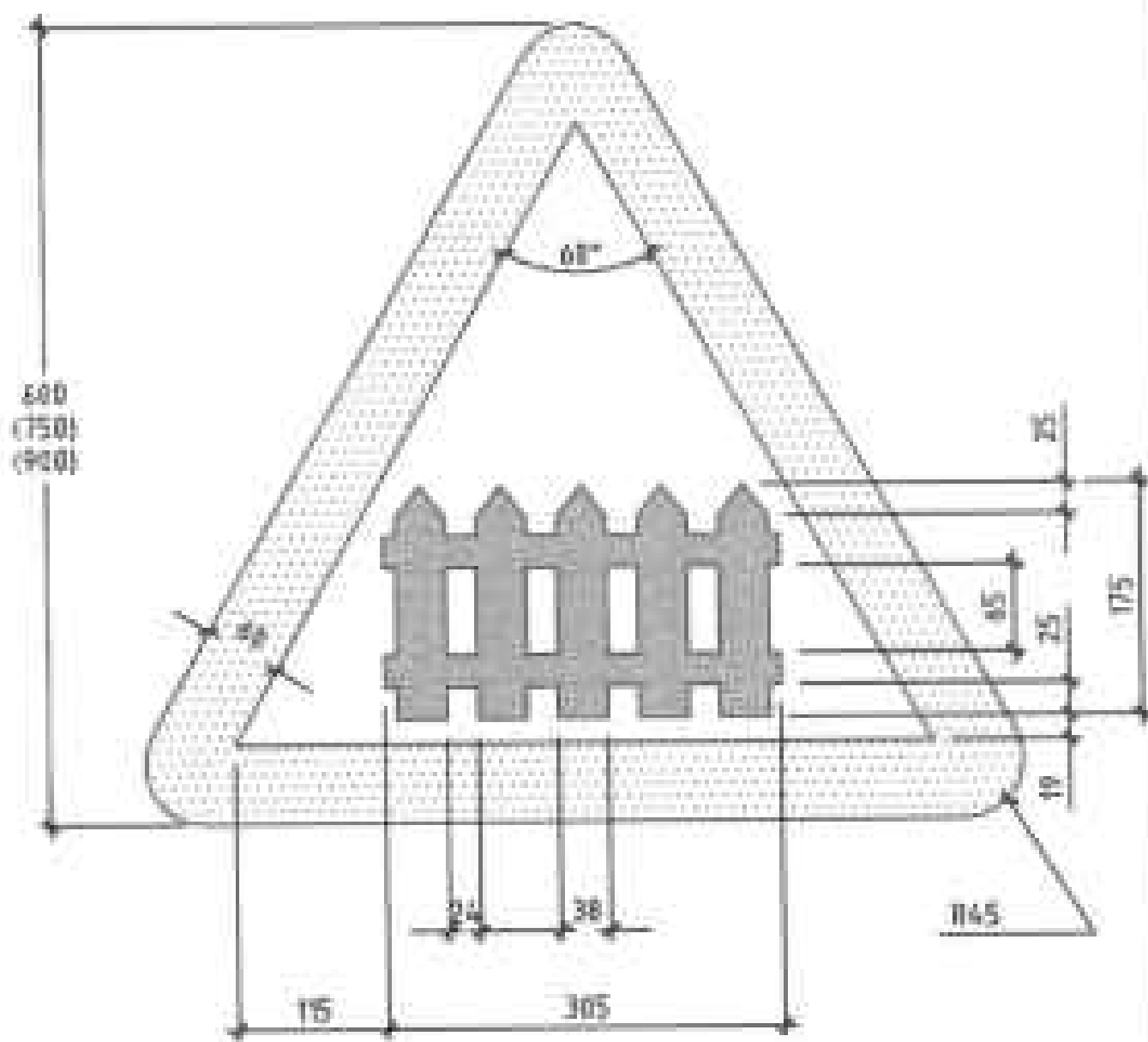
SCALE 1/5

Notes :-
 1. If using alternative overall sign dimensions, shown in brackets, the other sign dimensions must be varied proportionally.
 2. All dimensions shown in millimetres

Colours :-

□	WHITE
■	BLACK
◻	RED

Department of Roads	Title :- RAILWAY LEVEL CROSSING WITH GATE OR BARRIER	Drawing No. :- B41
TRAFFIC SIGNS MANUAL		



SCALE 1:5

Notes -
 1. If using alternative overall sign dimensions, shown in brackets, the other sign dimensions must be varied proportionally.
 2. All dimensions shown in millimetres

Colours :-

	WHITE
	BLACK
	RED

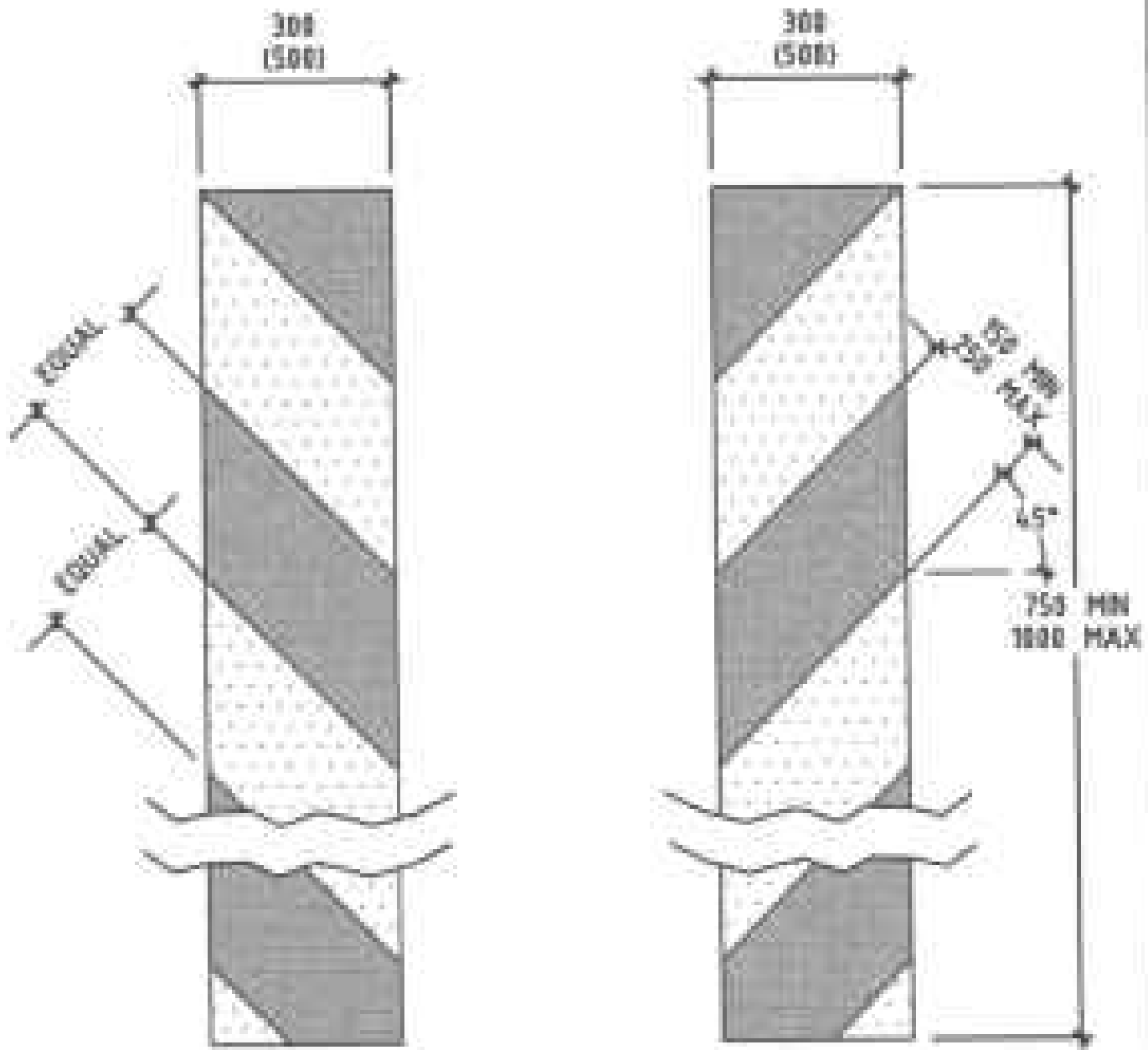


SCALE 1:10

1. All dimensions shown in millimetres

■ BLACK
■ YELLOW

Department of Roads TRAFFIC SIGNS MANUAL	Title — DANGEROUS OBSTRUCTION	Drawing No. — B43
---	---	-----------------------------



SCALE 1:10

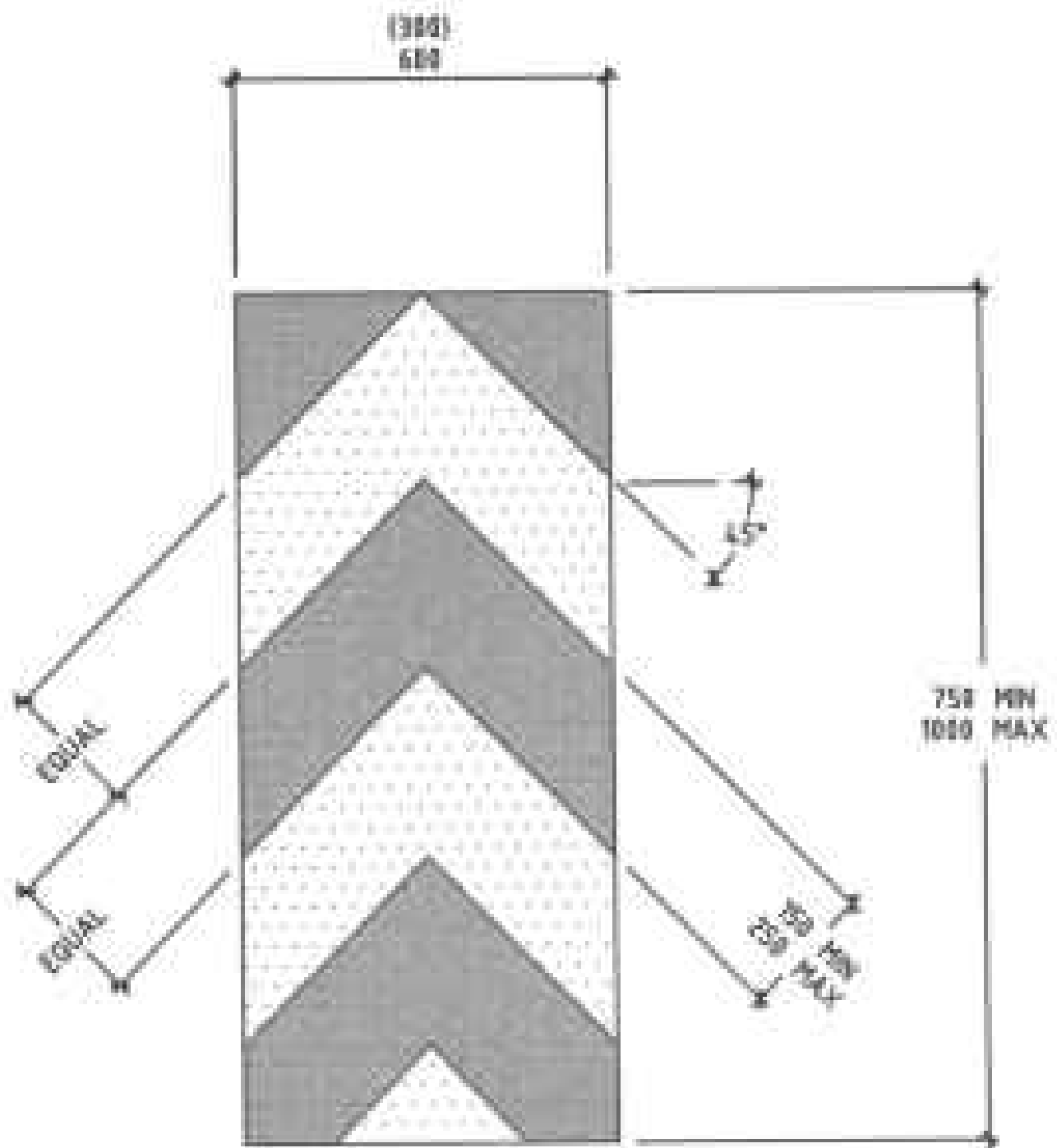
Notes —

- I. If using alternative overall sign dimensions, shown in brackets, the other sign dimensions must be varied proportionally.
- II. All dimensions shown in millimetres.

Colours —

- BLACK
- YELLOW

Department of Roads	Title :- DANGEROUS OBSTRUCTION	Drawing No. :- B44
TRAFFIC SIGNS MANUAL		



SCALE 1:10

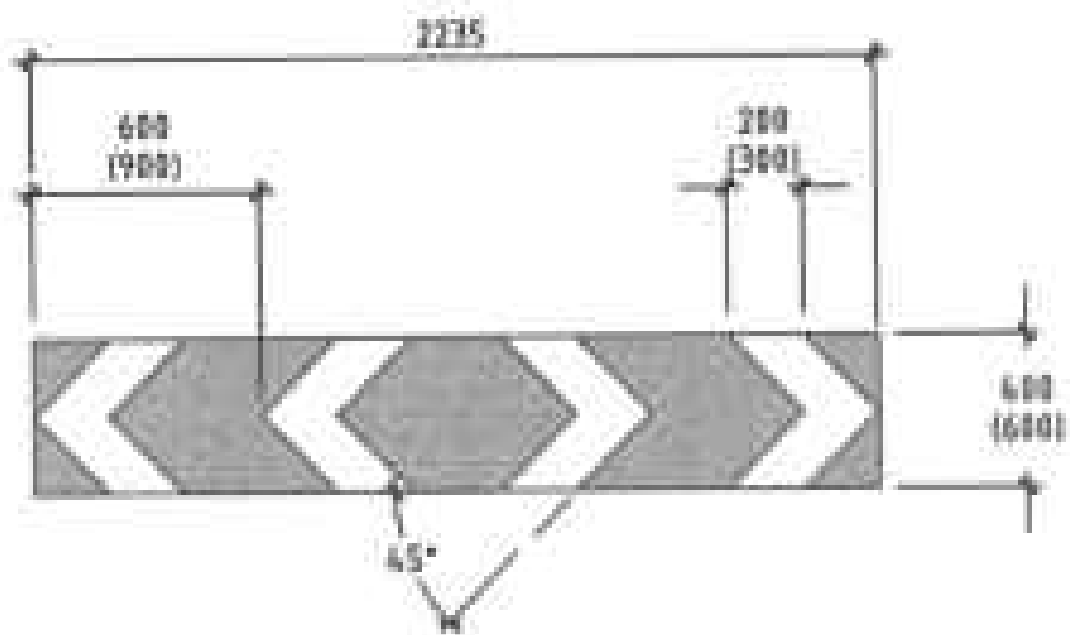
Notes :-

1. If using alternative overall sign dimensions, shown in brackets, the other sign dimensions must be varied proportionally.
2. All dimensions shown in millimetres

Colours :-



Department of Roads	Title — T-JUNCTION (TURN RIGHT OR LEFT ONLY)	Drawing No. — B45
TRAFFIC SIGNS MANUAL		



SCALE 1:20

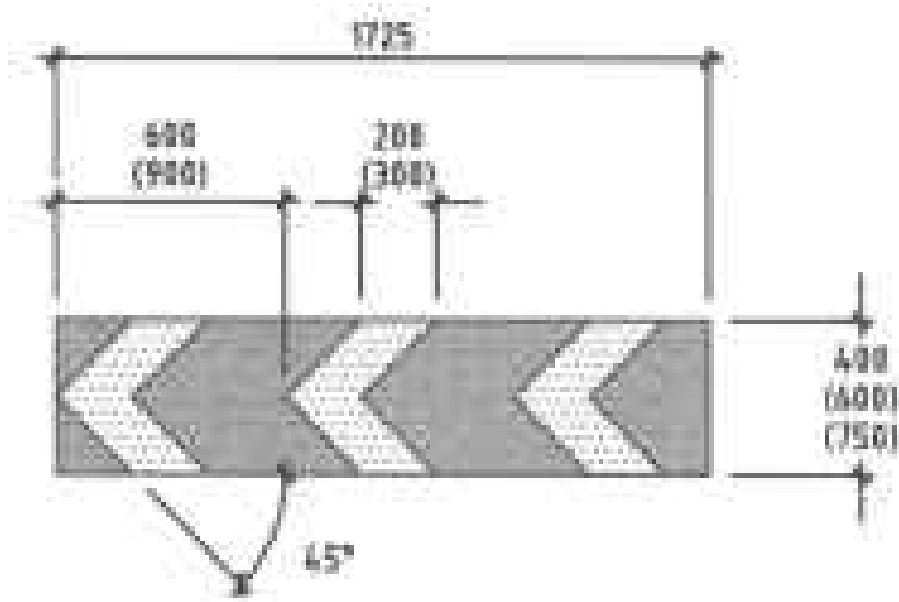
Notes —

1. If using alternative overall sign dimensions, shown in brackets, the other sign dimensions must be varied proportionally.
2. All dimensions shown in millimetres

Colours —



Department of Roads	Title :- SHARP BEND (TEMPORARY DIVERSION)	Drawing No. :- 844
TRAFFIC SIGNS MANUAL		

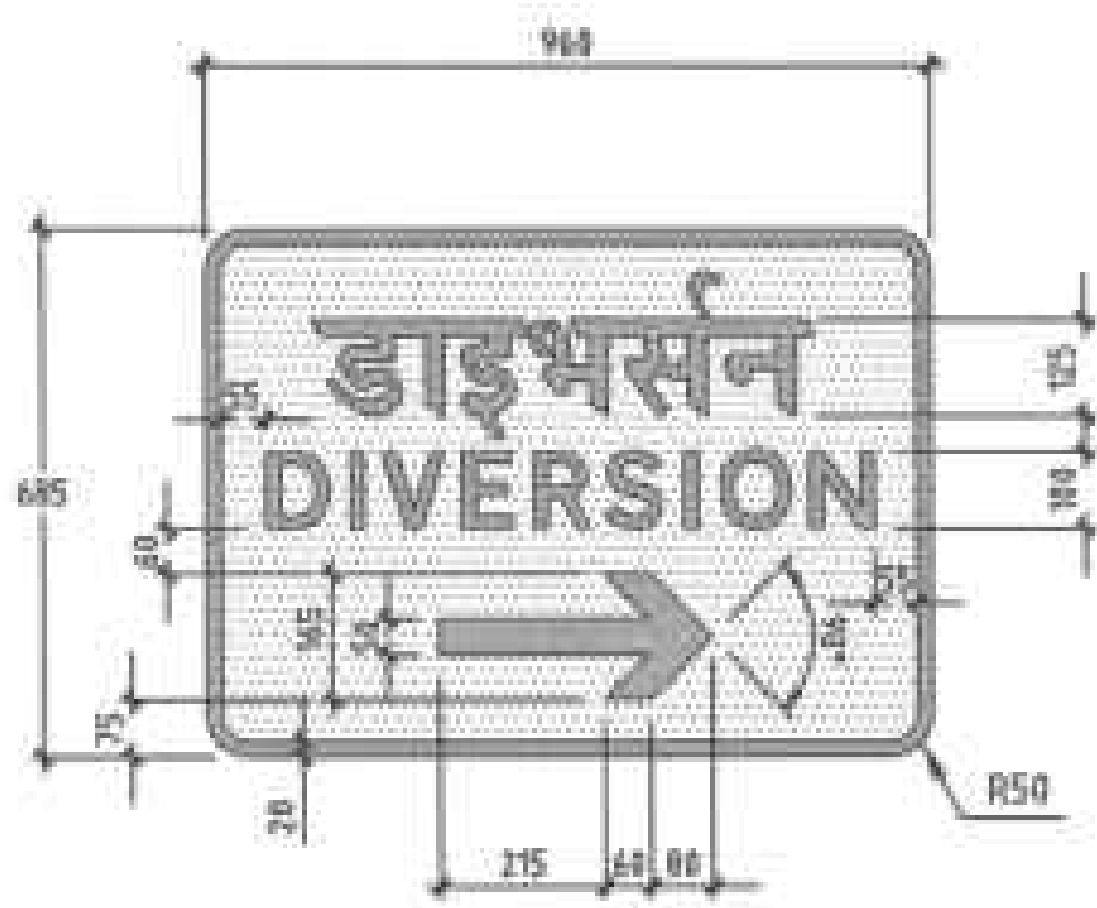


SCALE 1:20

Notes :-
 1. If using alternative overall sign dimensions, shown in brackets, the other sign dimensions must be varied proportionally.
 2. All dimensions shown in millimetres

Colours :-
 BLACK
 YELLOW

Department of Roads	Title — TEMPORARY DIVERSION AHEAD	Drawing No. — B47
TRAFFIC SIGNS MANUAL		



SCALE 1:10

Notes :-
1. All dimensions shown in millimetres

Colours :-
 BLACK
 YELLOW

Department of Roads

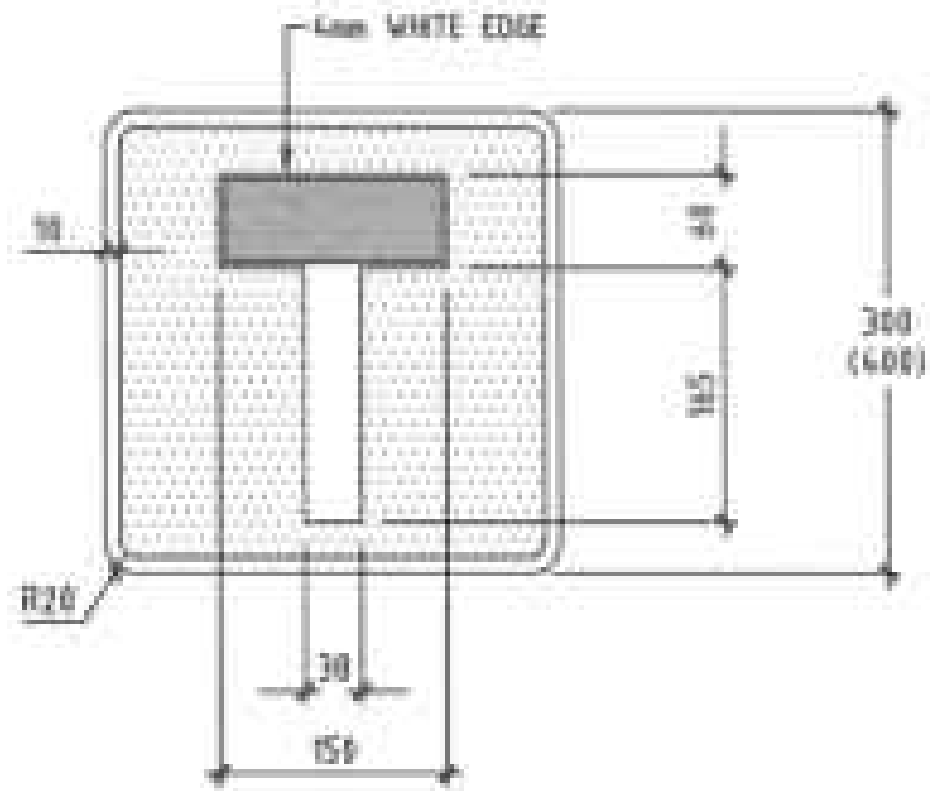
Title —

NO THROUGH ROAD

Drawing No. —

CT

TRAFFIC SIGNS MANUAL



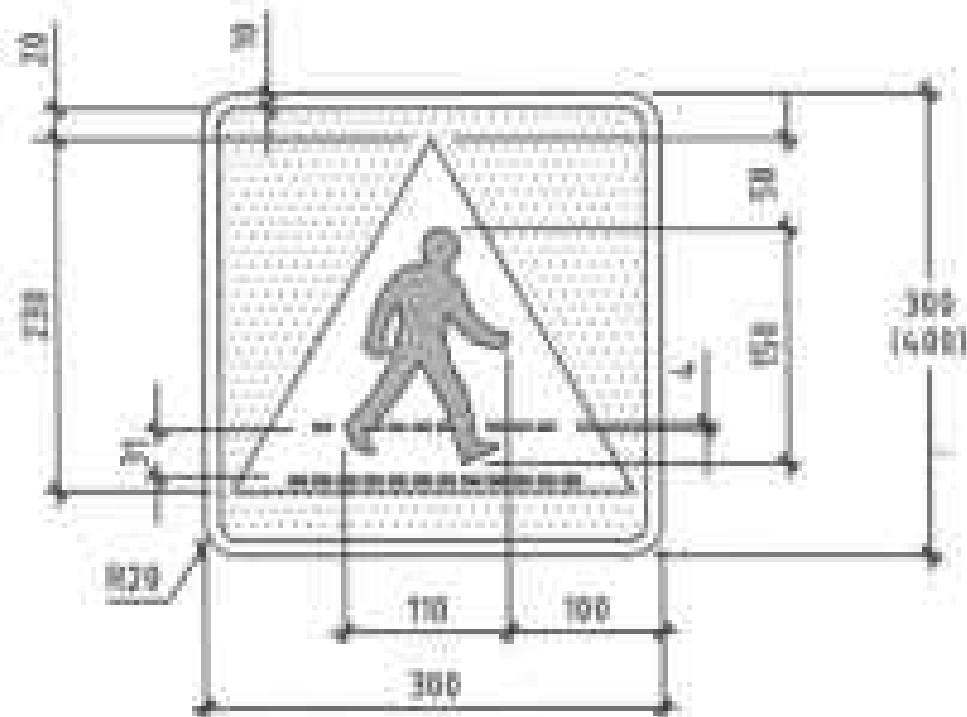
SCALE 1/5

Notes —

1. If using alternative overall sign dimensions, shown in brackets, the other sign dimensions must be varied proportionally.
2. All dimensions shown in millimetres.

Colours —

- WHITE
- BLUE
- RED



SCALE 1:5

Notes -

1. If using alternative overall sign dimensions, shown in brackets, the other sign dimensions must be varied proportionally.
2. All dimensions shown in millimetres.

Details -

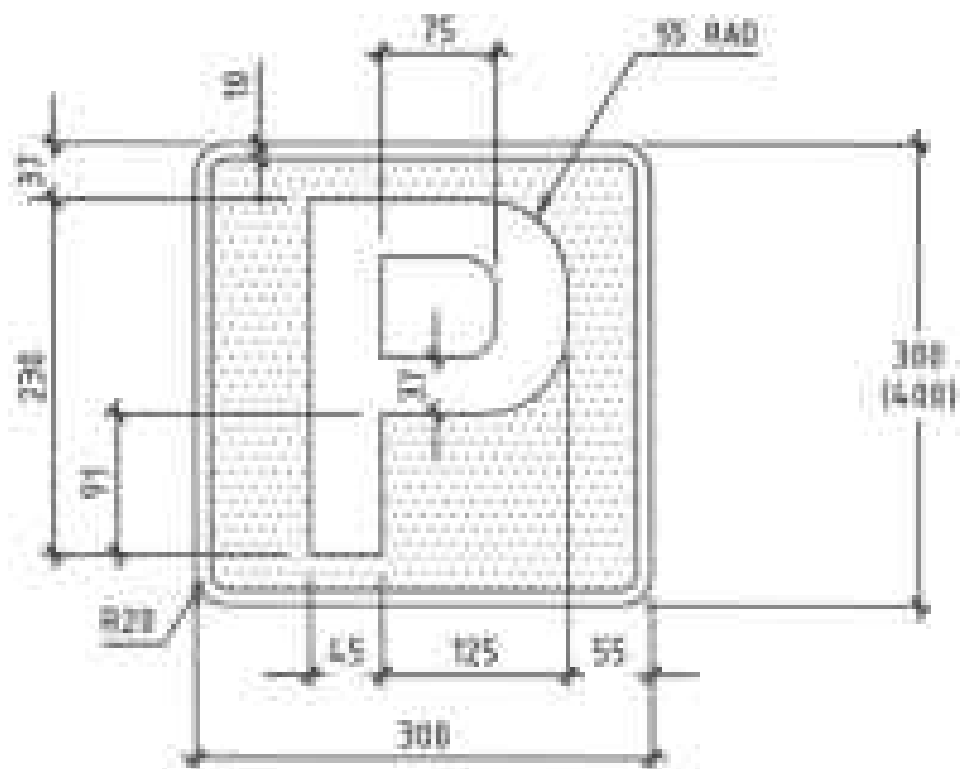
- WHITE
- BLUE
- BLACK

Department of Roads

TRAFFIC SIGNS MANUAL
TITLE —
PARKING PLACE

Drawing No. —
C3

TRAFFIC SIGNS MANUAL



SCALE 1:5

Notes —

1. If using alternative overall sign dimensions, shown in brackets, the other sign dimensions must be varied proportionally.
2. All dimensions shown in millimetres.

Colours —

- WHITE
- BLUE

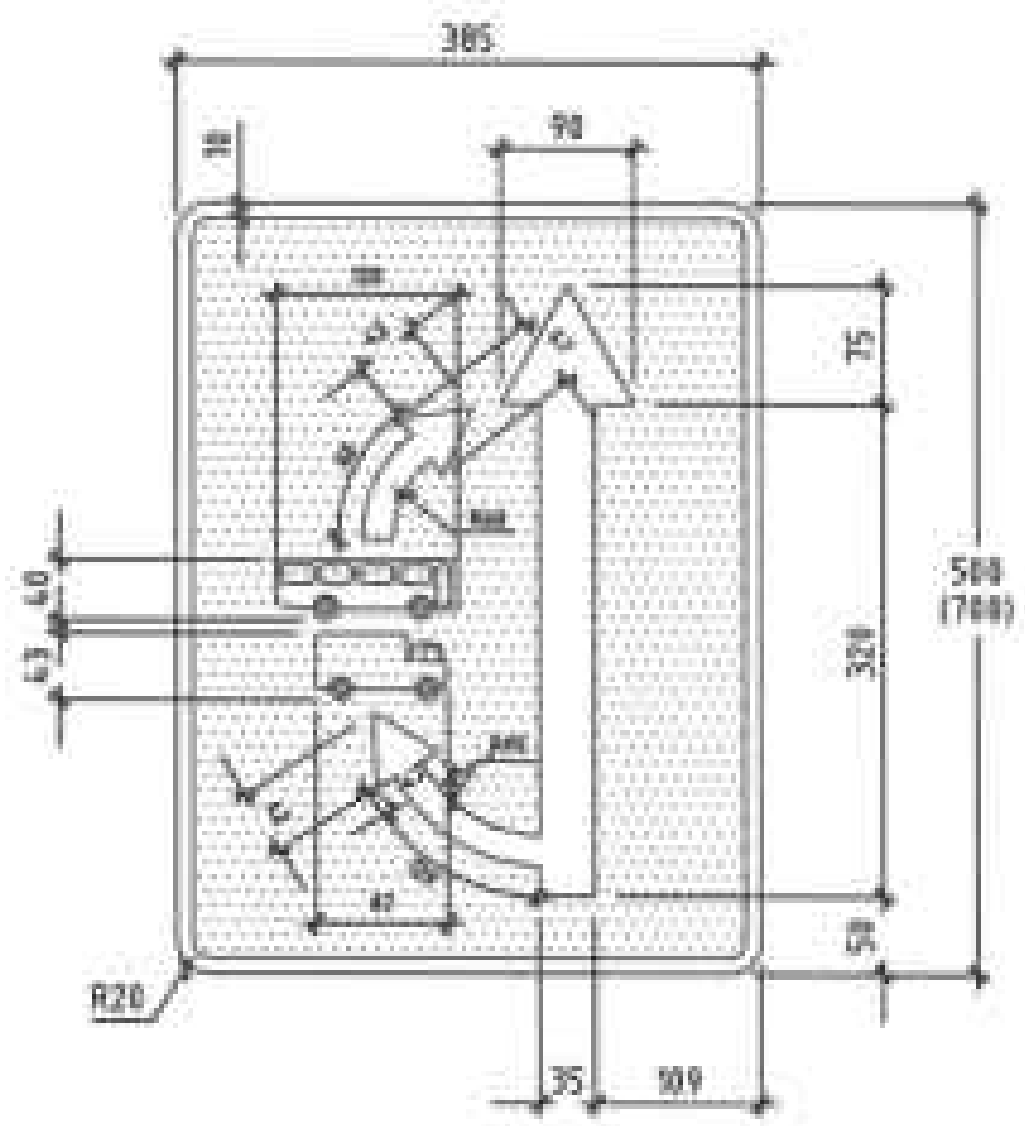
Department of Roads

Title -
OVERTAKING SECTION

Drawing No. -

C4

TRAFFIC SIGNS MANUAL



SCALE 1:5

Note -
1. If using alternative overall sign dimensions, shown in brackets, the other sign dimensions must be varied proportionally.
2. All dimensions shown in millimetres

Colour -
[White box] WHITE
[Blue box] BLUE

Department of Roads

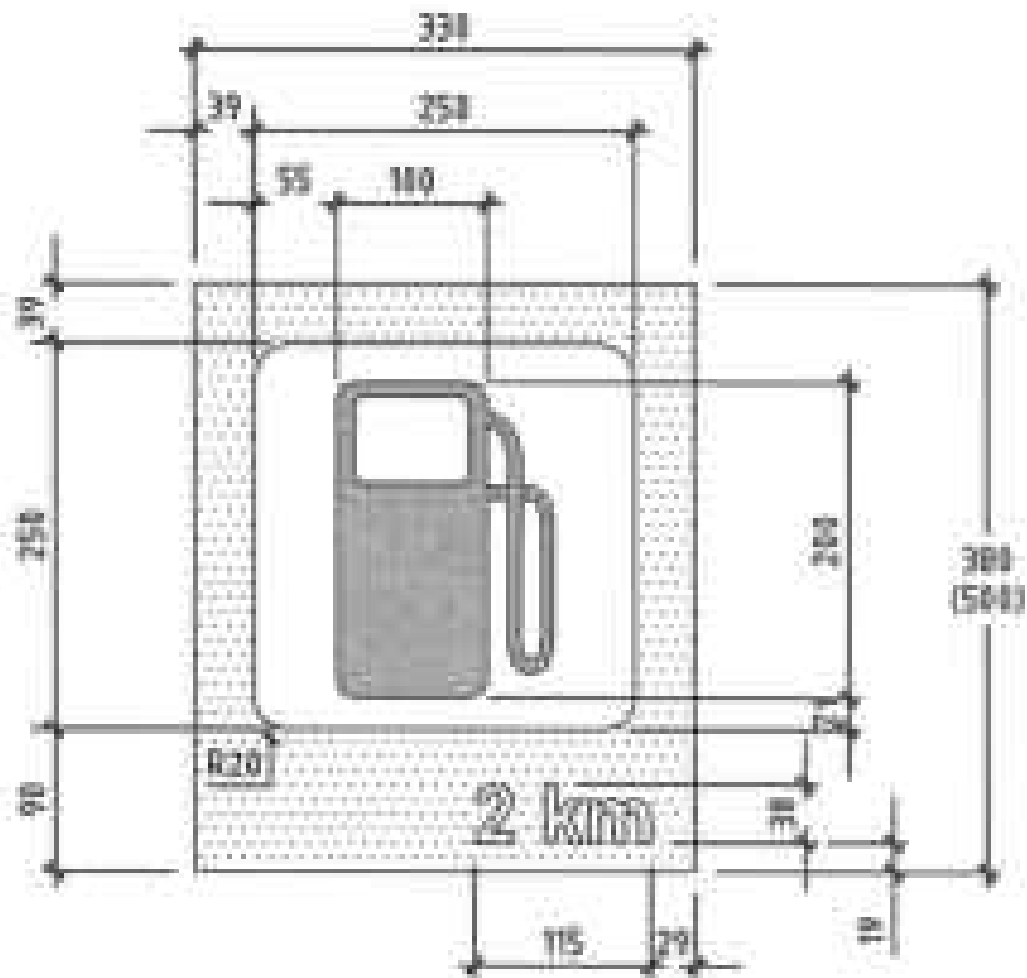
Title :-

FILLING STATION

Drawing No. :-

CS

TRAFFIC SIGNS MANUAL



SCALE 1:5

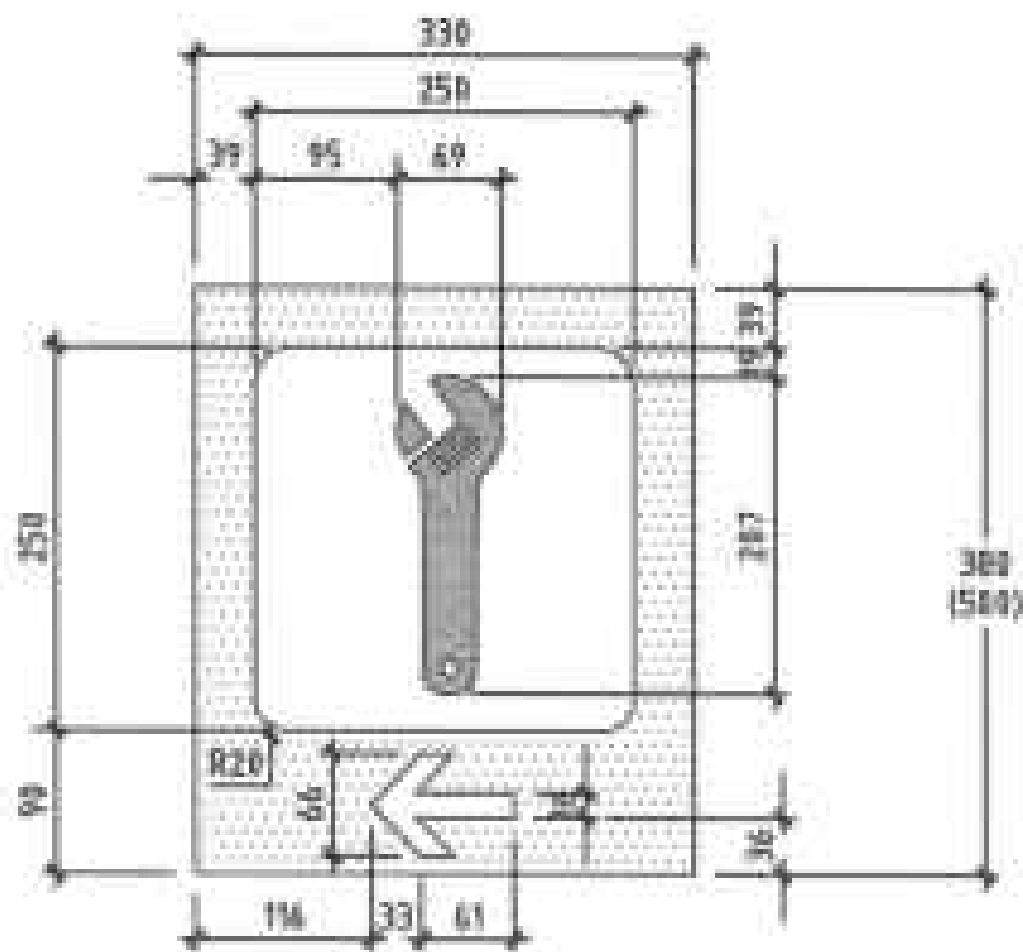
Notes :-

1. If using alternative overall sign dimensions, shown in brackets, the other sign dimensions must be varied proportionally.
2. All dimensions shown in millimetres.

Colours :-

- WHITE
- BLUE
- BLACK

Department of Roads	Title :- BREAKDOWN SERVICE	Drawing No. :- C6
TRAFFIC SIGNS MANUAL		



SCALE 1:5

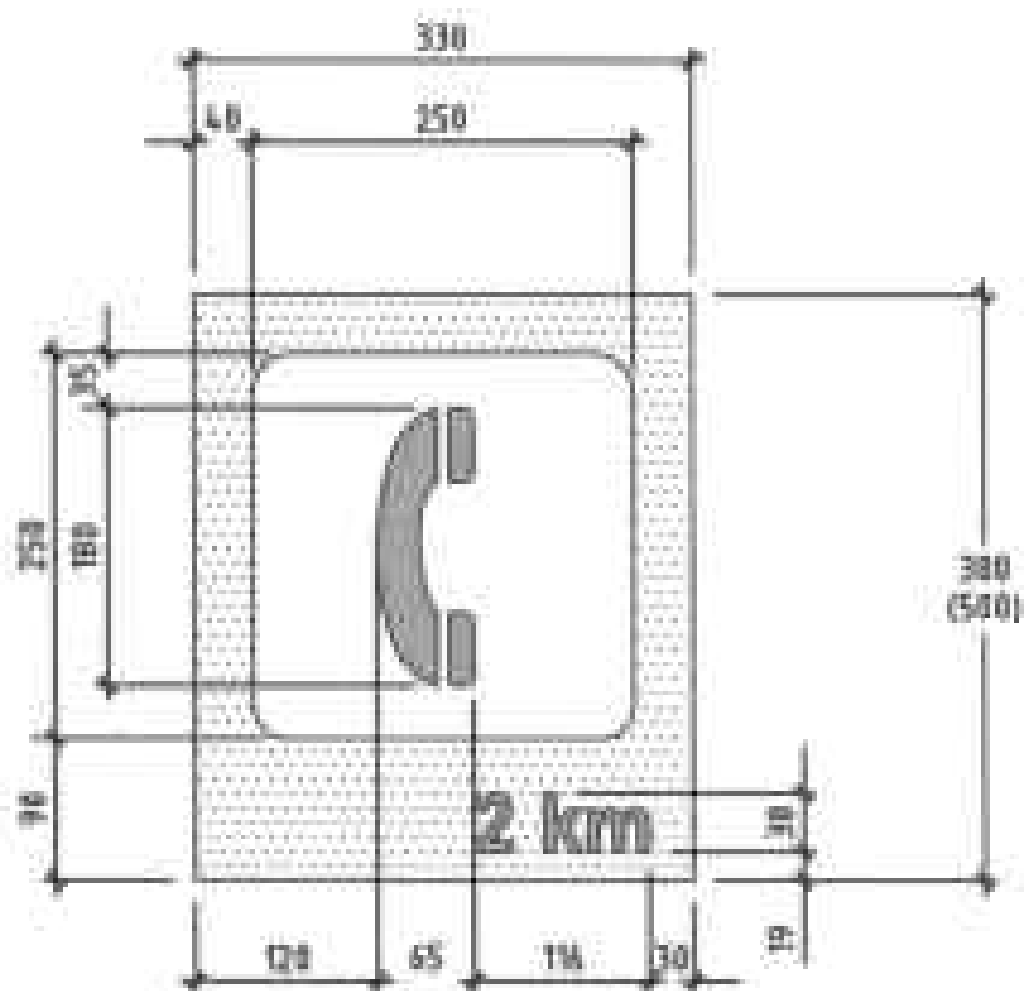
Notes :-

1. If using alternative overall sign dimensions, shown in brackets, the other sign dimensions must be varied proportionally.
2. All dimensions shown in millimetres

Colours :-

- WHITE
- BLUE
- BLACK

Department of Roads	Title :- TELEPHONE	Drawing No. :- (7)
TRAFFIC SIGNS MANUAL		



SCALE 1:5

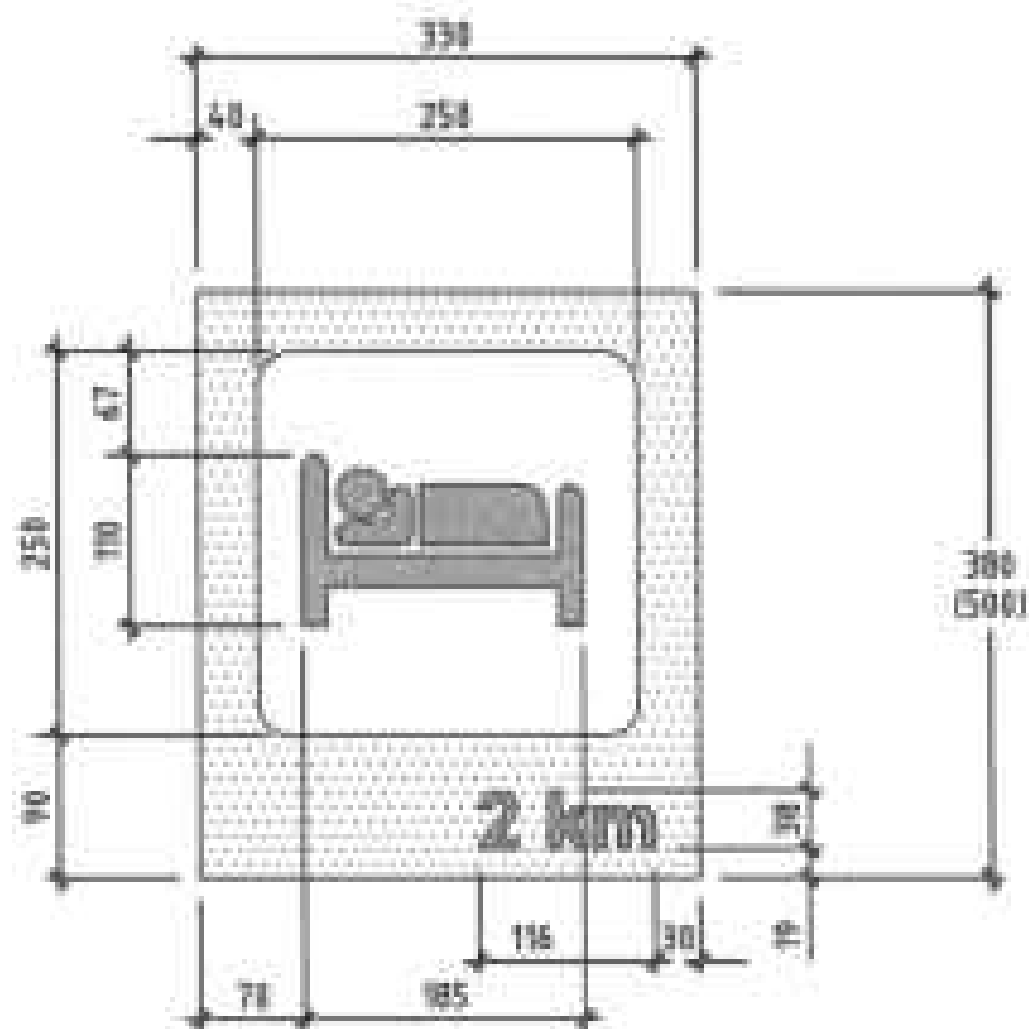
Notes :-

1. If using alternative overall sign dimensions, shown in brackets, the other sign dimensions must be varied proportionally.
2. All dimensions shown in millimetres.

Colours :-

-  WHITE
-  BLUE
-  BLACK

Department of Roads	Title :- OVERNIGHT ACCOMMODATION	Drawing No. :- C8
TRAFFIC SIGNS MANUAL		



SCALE 1:5

Notes :-

1. If using alternative overall sign dimensions, shown in brackets, the other sign dimensions must be varied proportionally.
2. All dimensions shown in millimetres

Colours :-

- WHITE
- BLUE
- BLACK

Department of Roads

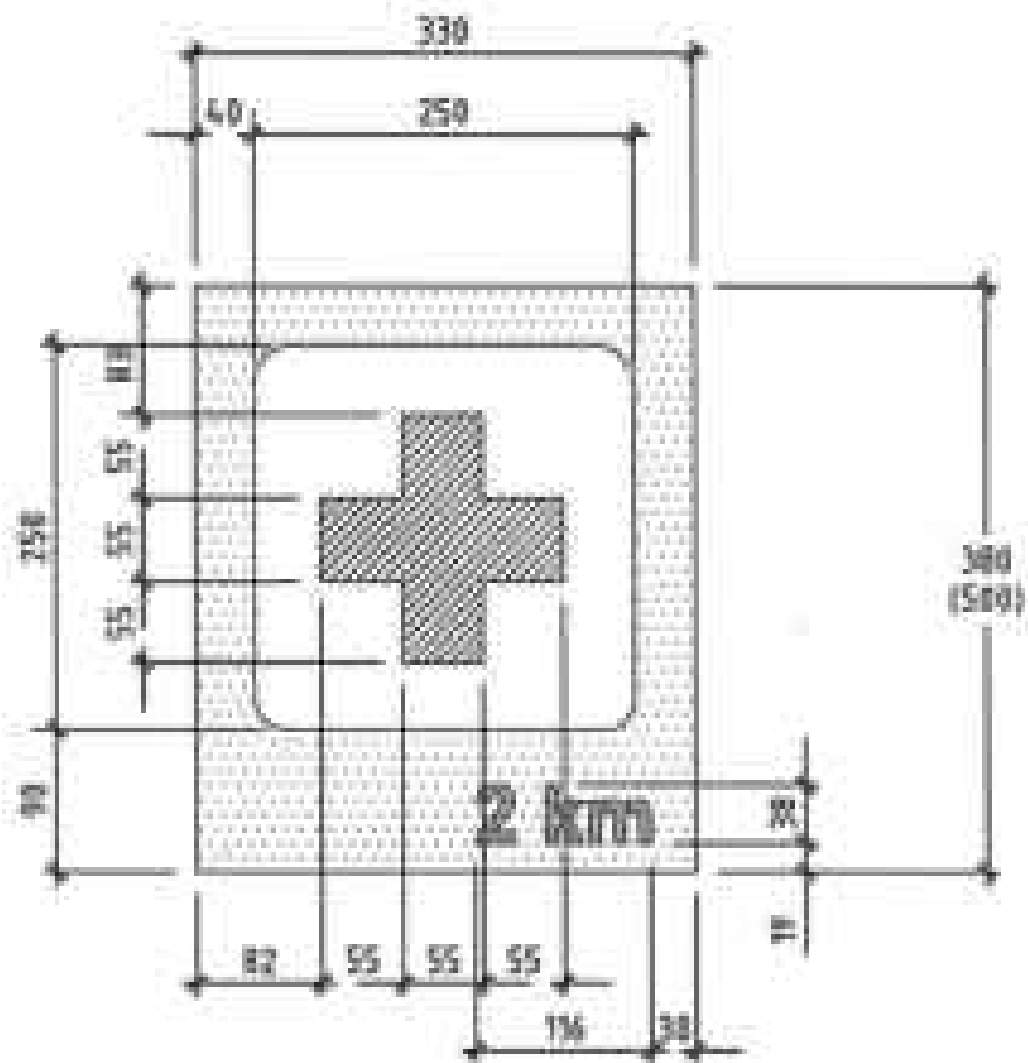
Title :-

FIRST-AID POST

Drawing No. :-

C9

TRAFFIC SIGNS MANUAL



SCALE 1:5

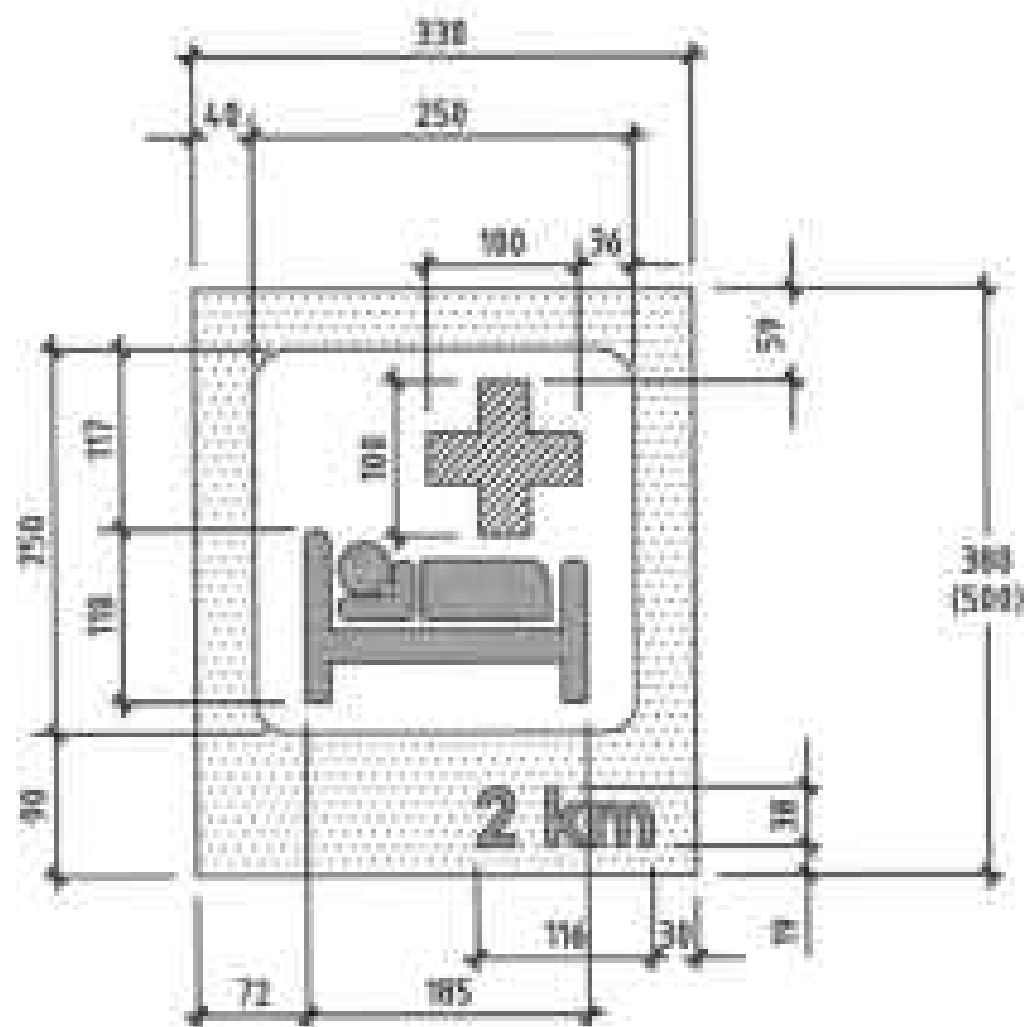
Notes :-

1. If using alternative overall sign dimensions, shown in brackets, the other sign dimensions must be varied proportionally.
2. All dimensions shown in millimetres

Colours :-

- WHITE
- BLUE
- RED

Department of Roads	Title - HOSPITAL	Drawing No. - C10
TRAFFIC SIGNS MANUAL		



SCALE 1:5

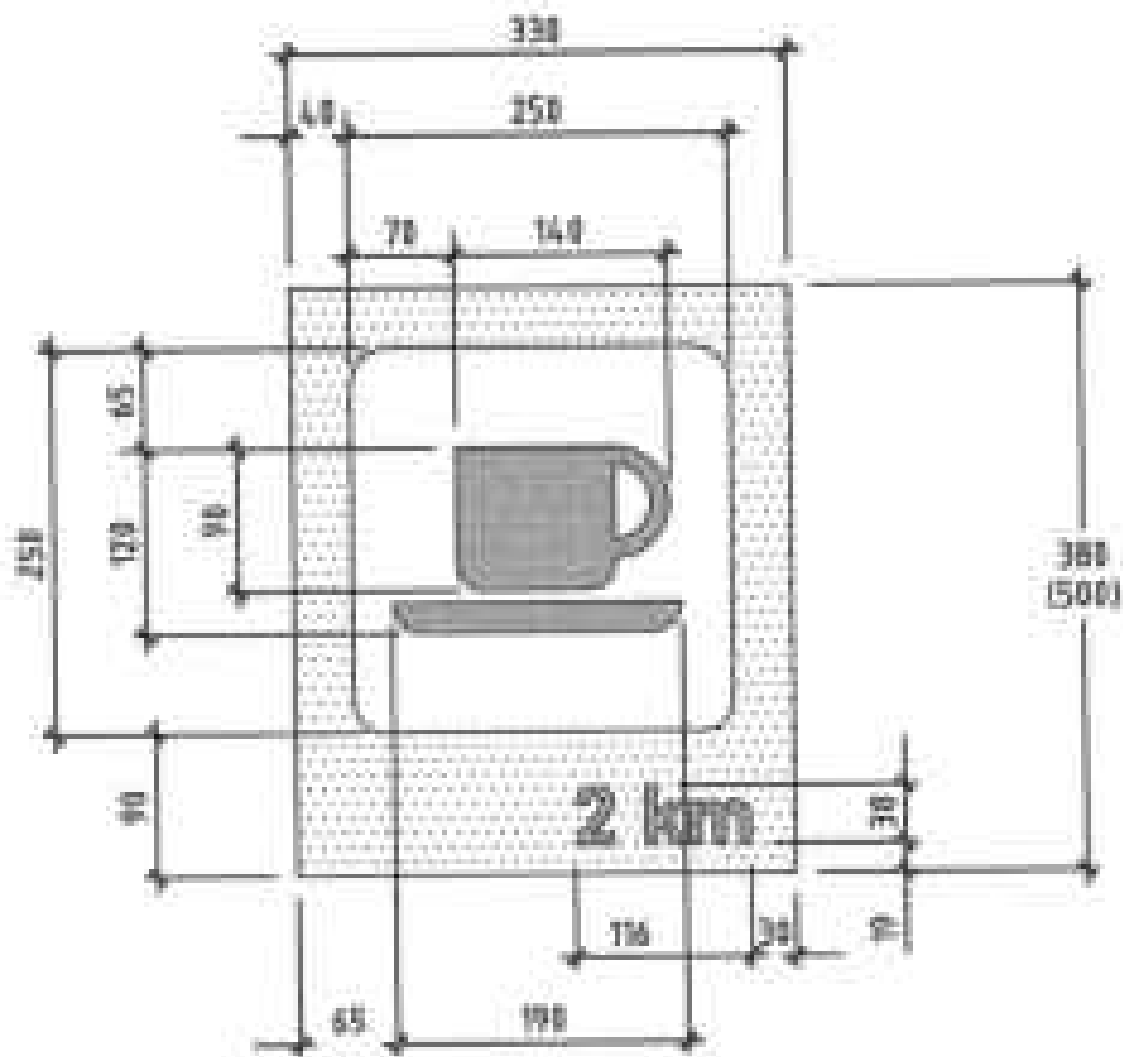
Notes -

1. If using alternative overall sign dimensions, shown in brackets, the other sign dimensions must be varied proportionally.
2. All dimensions shown in millimetres

Colors -

	WHITE		RED
	BLUE		
	BLACK		

Department of Roads	Title :- REFRESHMENTS	Drawing No. :- C11
TRAFFIC SIGNS MANUAL		



SCALE 1:5

Notes :-

1. If using alternative overall sign dimensions, shown in brackets, the other sign dimensions must be varied proportionally.
2. All dimensions shown in millimetres

Colours :-

- WHITE
- BLUE
- BLACK

Department of Roads

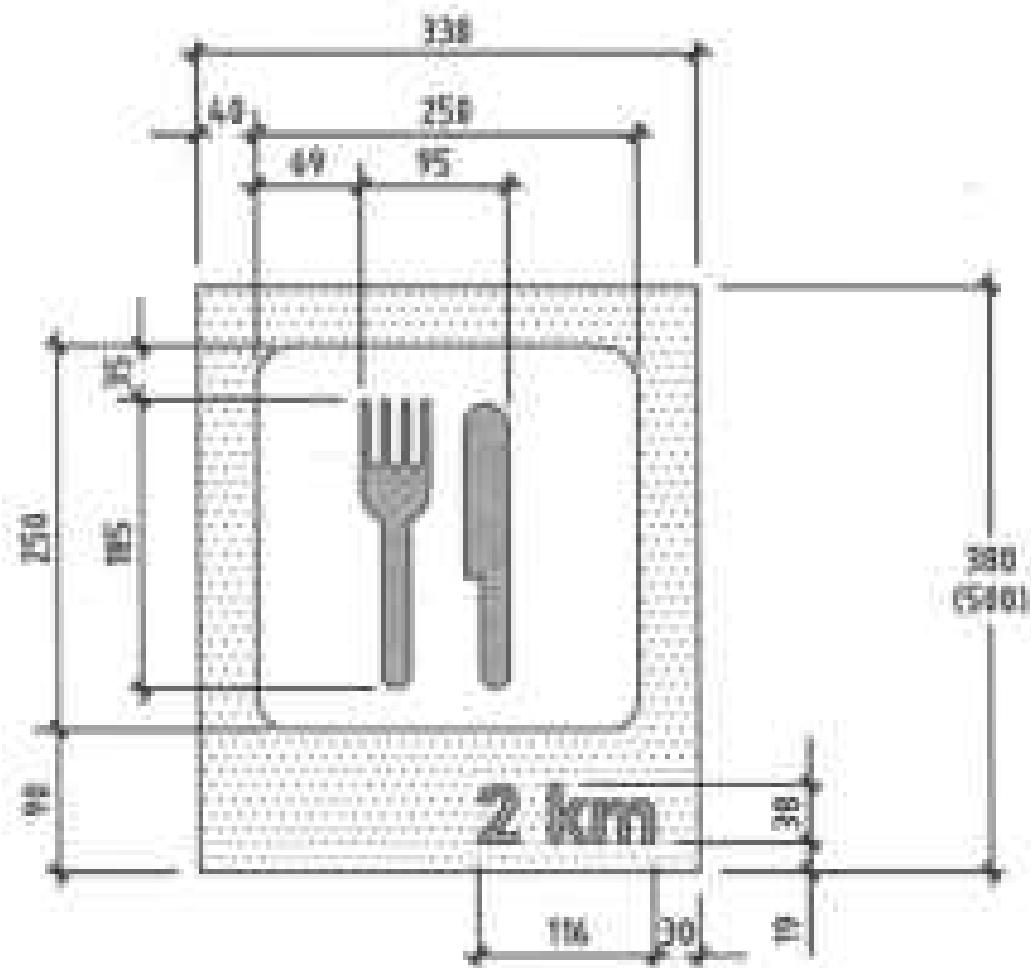
Title :-

RESTAURANT

Drawing No. :-

C12

TRAFFIC SIGNS MANUAL



SCALE 1:5

Notes :-

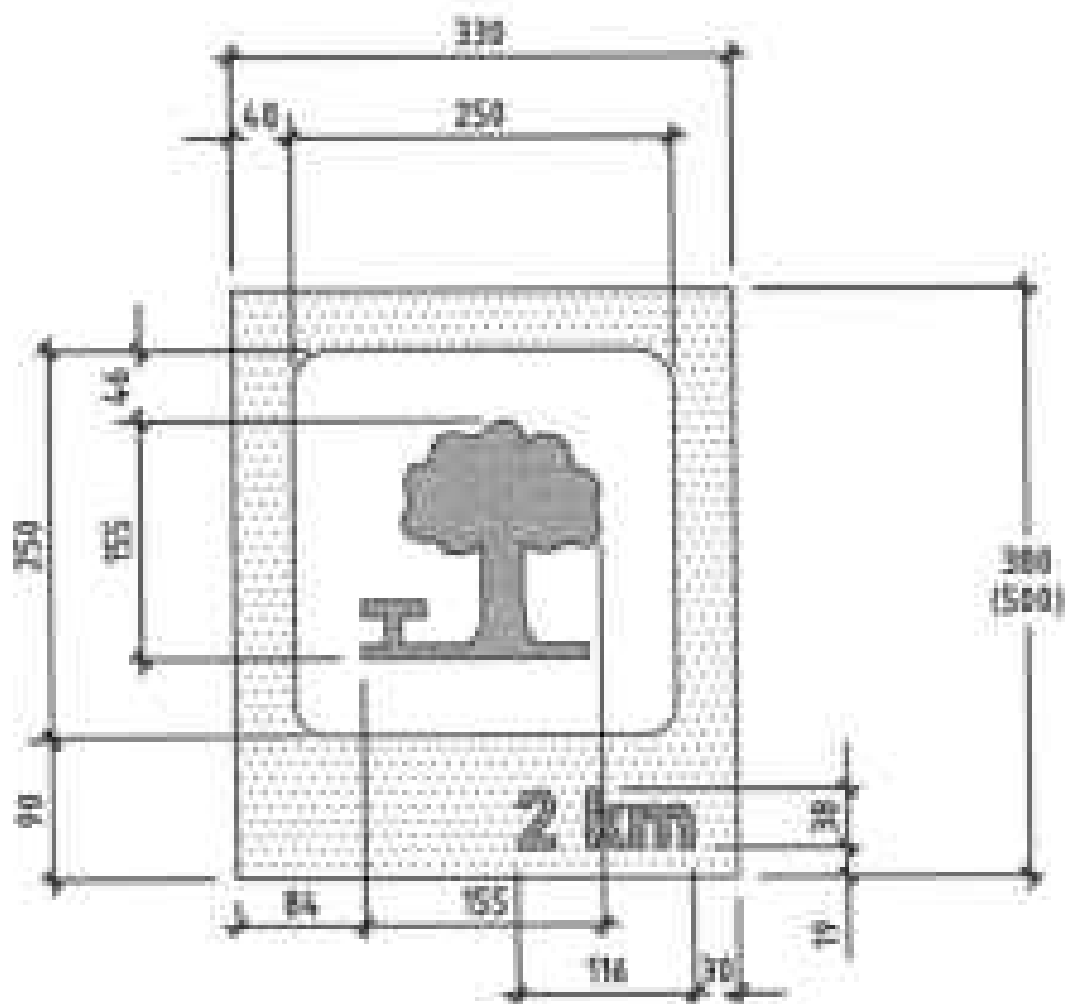
1. If using alternative overall sign dimensions, shown in brackets, the other sign dimensions must be varied proportionally.

2. All dimensions shown in millimetres

Colours :-

-  WHITE
-  BLUE
-  BLACK

Department of Roads	Title :- PICNIC SITE	Drawing No. :- C13
TRAFFIC SIGNS MANUAL		



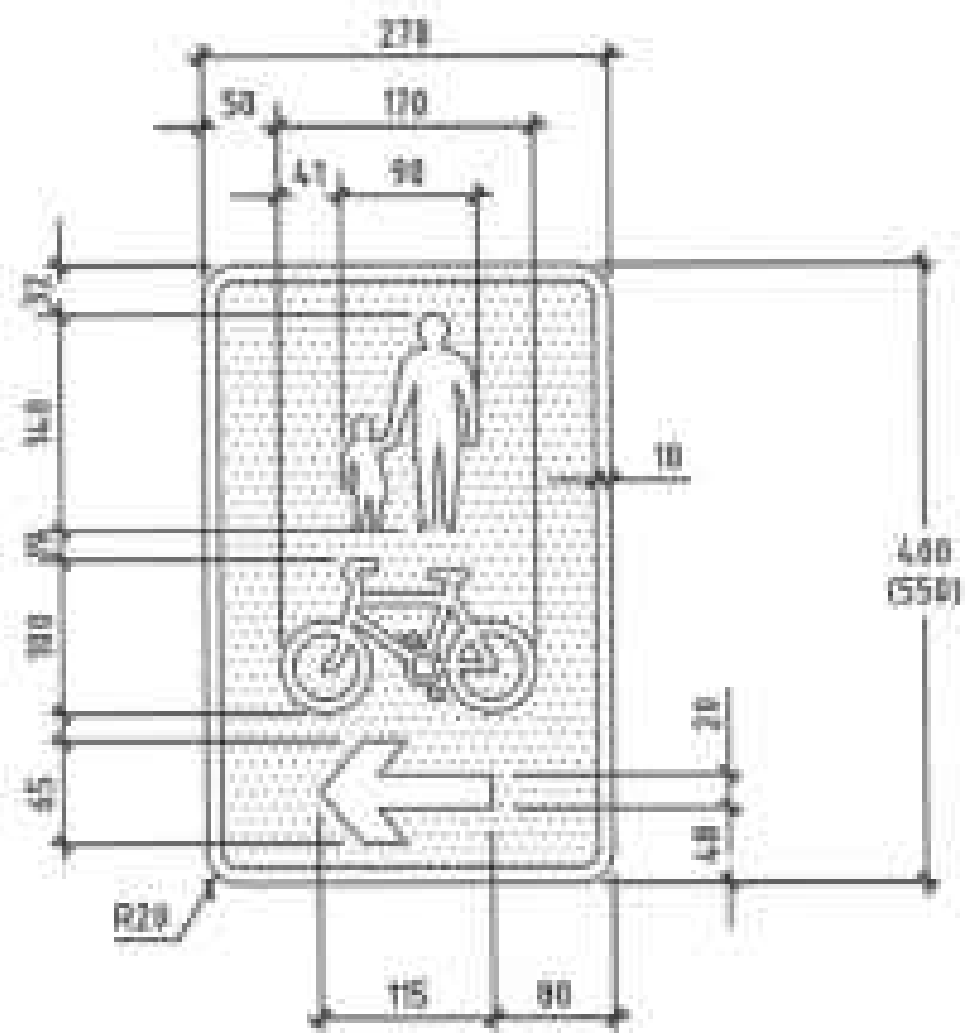
SCALE 1/5

Notes :-
 1. If using alternative overall sign dimensions, shown in brackets, the other sign dimensions must be varied proportionally.
 2. All dimensions shown in millimetres

Colours :-

□	WHITE
■	BLUE
■	BLACK

Department of Roads	Title :- RECOMMENDED ROUTE FOR PEDESTRIANS AND CYCLISTS	Drawing No :- C14
TRAFFIC SIGNS MANUAL		



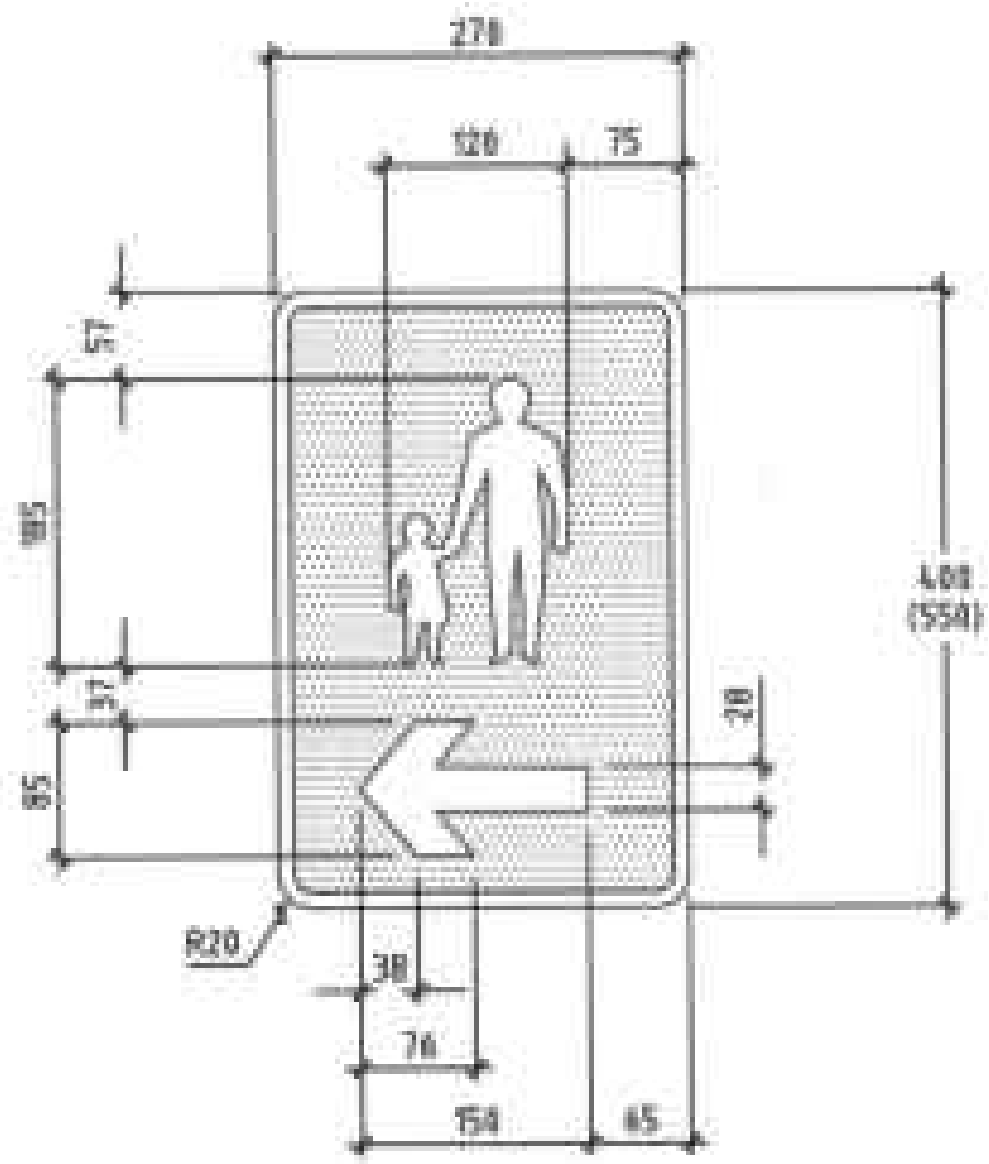
SCALE 1:5

- Notes :-
1. If using alternative overall sign dimensions, show in brackets, the other sign dimensions must be varied proportionally.
 2. All dimensions shown in millimetres

Colours :-

□	WHITE
■	BLUE

Department of Roads	Title :- RECOMMENDED ROUTE FOR PEDESTRIANS	Drawing No. :- C15
TRAFFIC SIGNS MANUAL		



SCALE 1:5

Notes :-
 1. If using alternative overall sign dimensions, shown in brackets, the other sign dimensions must be varied proportionally.
 2. All dimensions shown in millimetres.

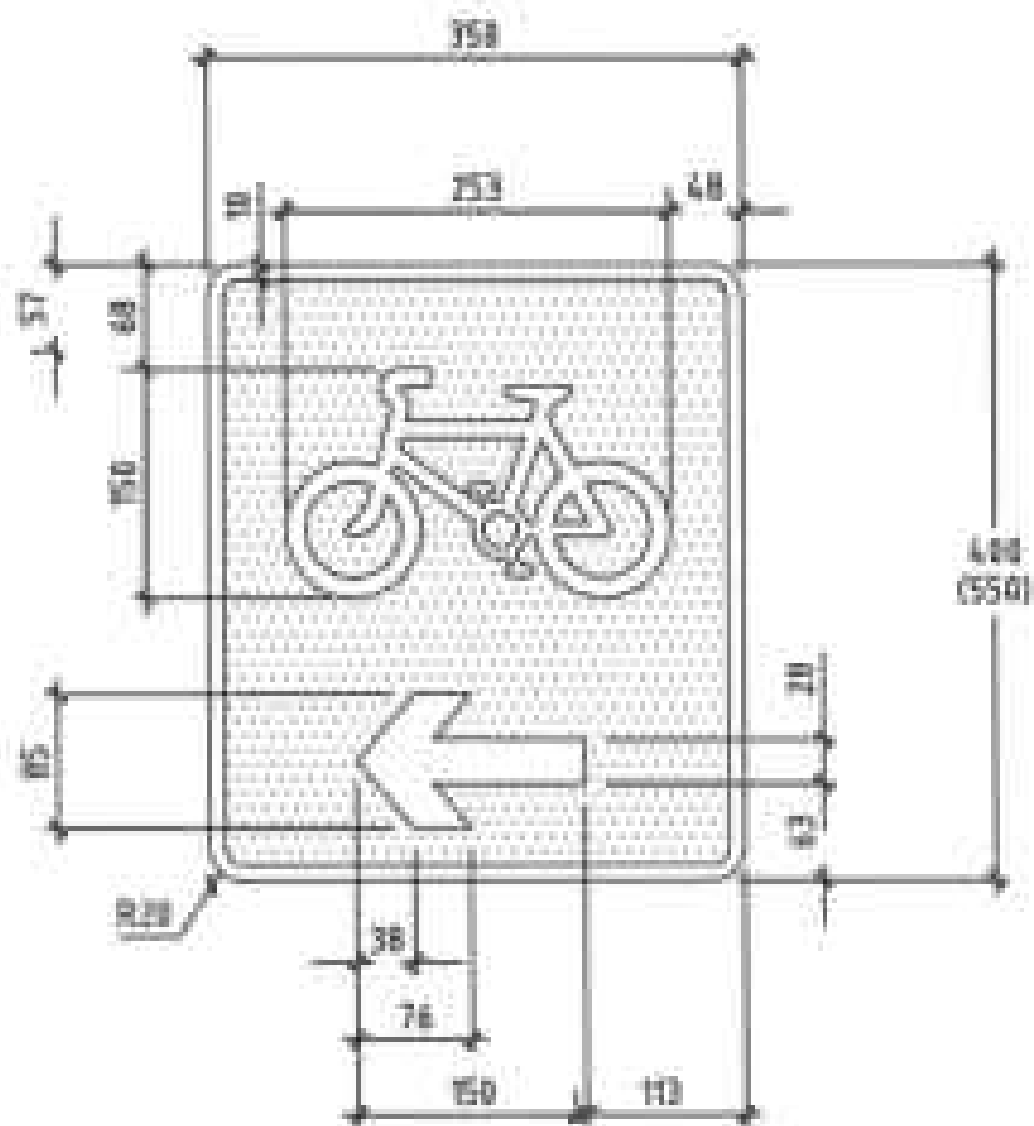
Colours :-
 [White box] WHITE
 [Blue box] BLUE

Department of Roads

Title —
**RECOMMENDED ROUTE
FOR CYCLISTS**

Drawing No. —
C16

TRAFFIC SIGNS MANUAL



SCALE 1:5

Notes —
1. If using alternative overall sign dimensions, shown in brackets, the other sign dimensions must be varied proportionally.
2. All dimensions shown in millimetres

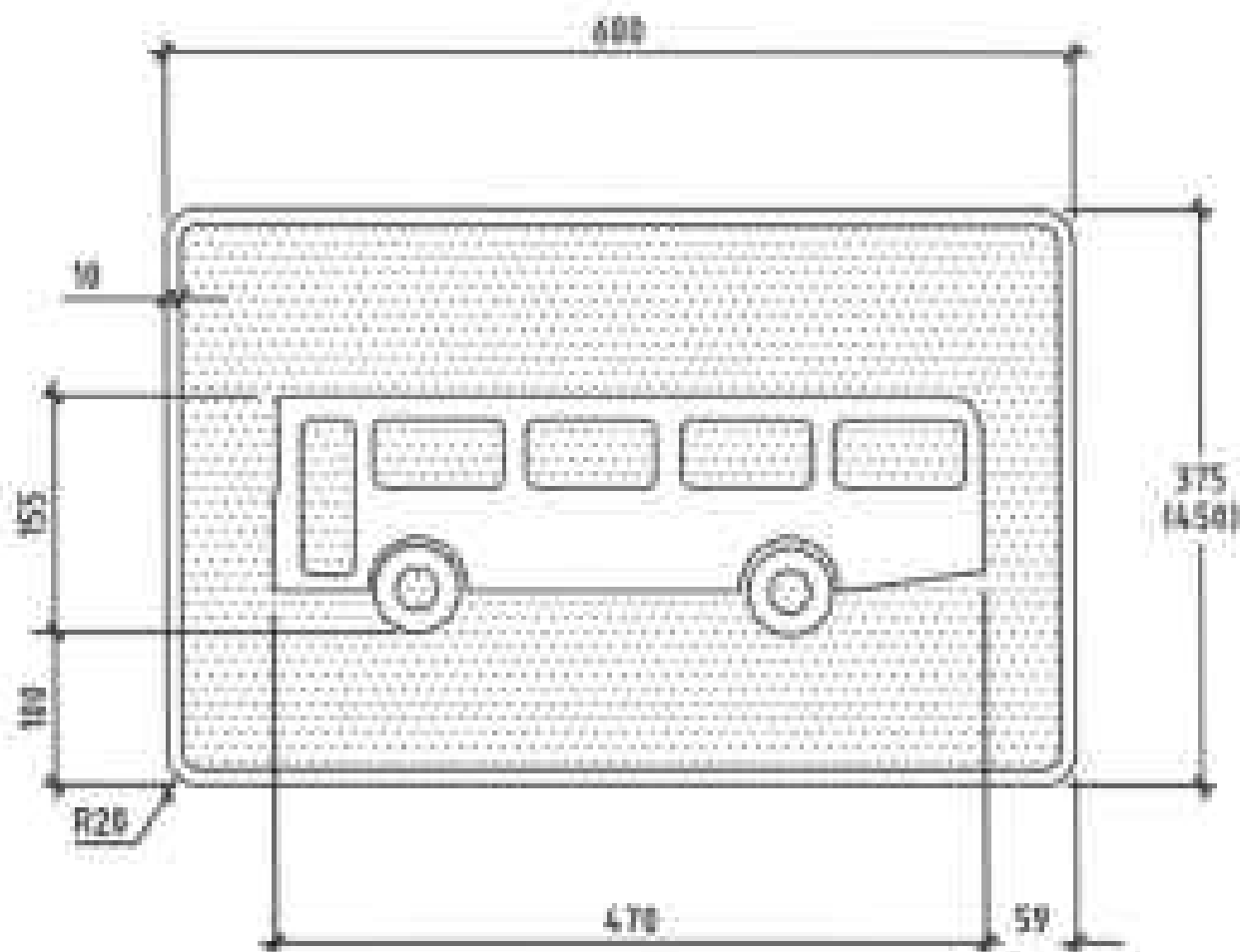
Colours —
□ WHITE
■ BLUE

Department of Roads

Title -
BUS STOP

Drawing No. -
C17

TRAFFIC SIGNS MANUAL



SCALE 1:5

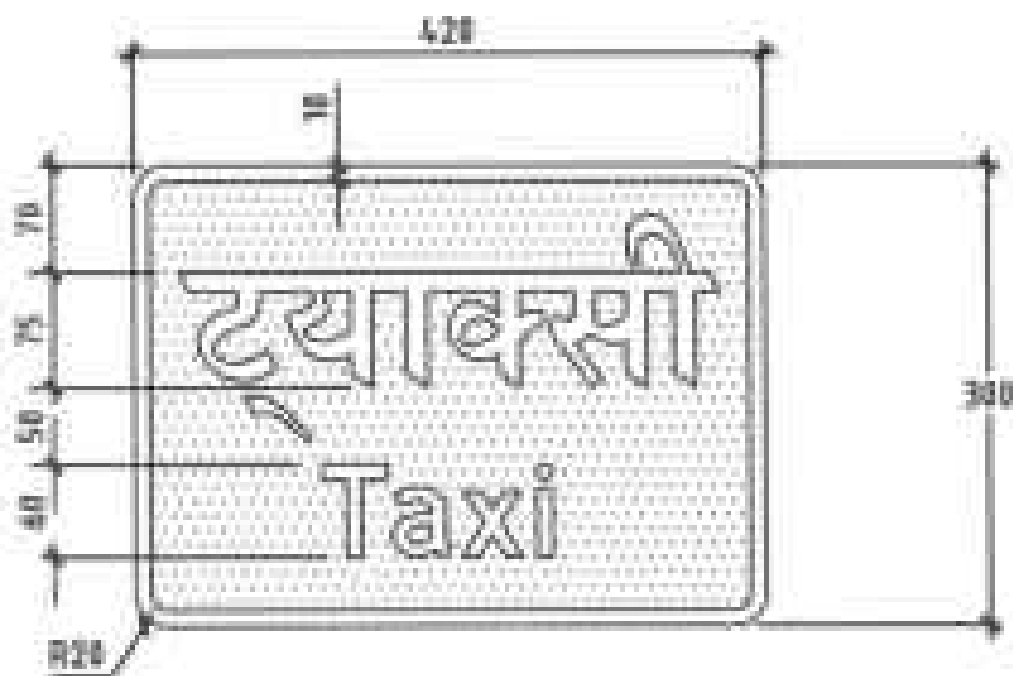
Notes -

1. If using alternative overall sign dimensions, shown in brackets, the other sign dimensions must be varied proportionally.
2. All dimensions shown in millimetres

Colours -

-  WHITE
-  BLUE

Department of Roads	Title :- TAXI PARK	Drawing No. :- C18
TRAFFIC SIGNS MANUAL		



SCALE 1:5

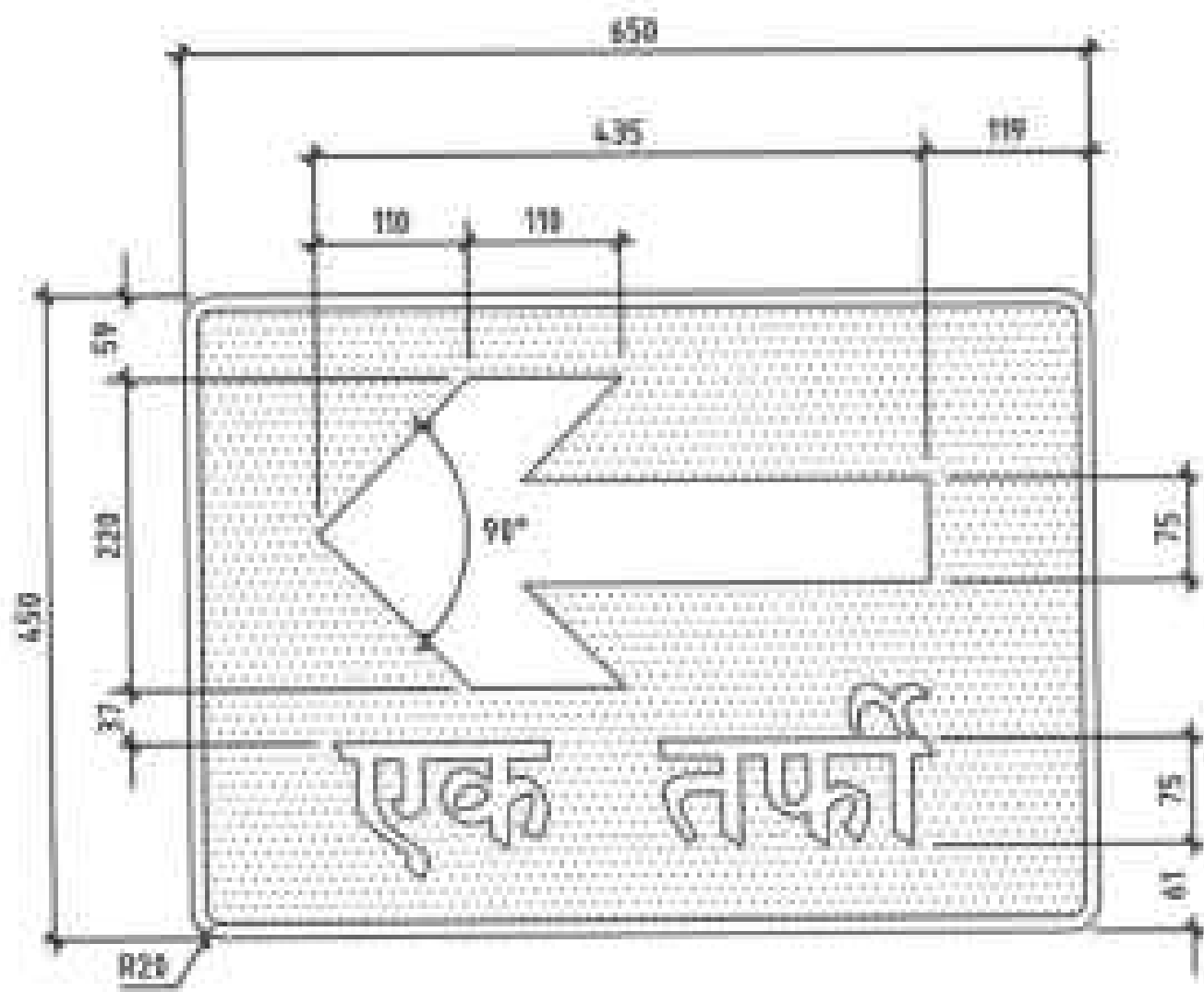
Notes -

1. If using alternative overall sign dimensions, shown in brackets, the other sign dimensions must be varied proportionally.
2. All dimensions shown in millimetres

Colours -

- WHITE
- BLUE

Department of Roads	Title :- ONE-WAY STREET	Drawing No. :- C19
TRAFFIC SIGNS MANUAL		

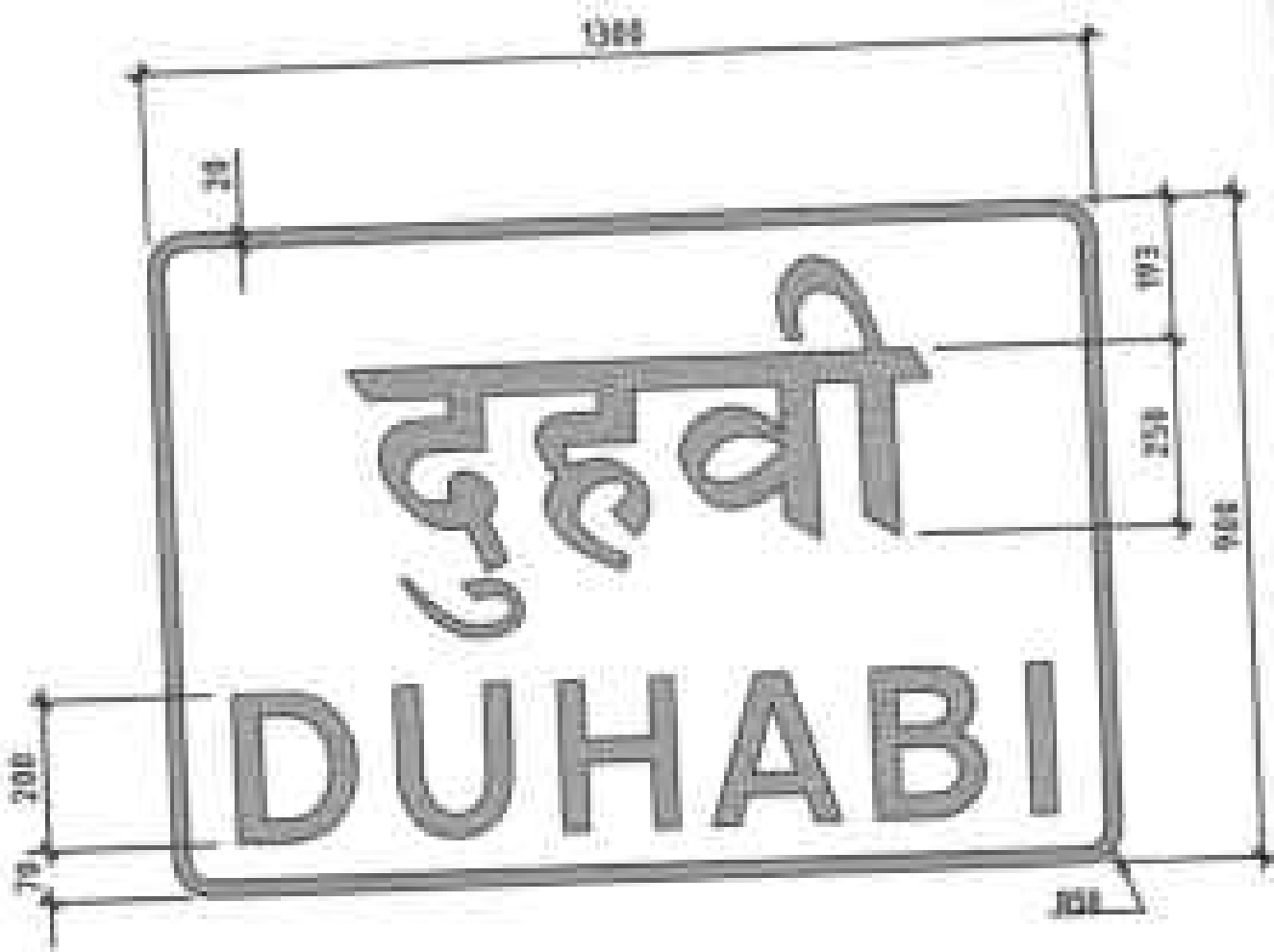


SCALE 1:5

Notes :-
 1. If using alternative overall sign dimensions, shown in brackets, the other sign dimensions must be varied proportionally.
 2. All dimensions shown in millimetres

Colours :-
 [White Box] WHITE
 [Blue Box] BLUE

Department of Roads	Title :- PLACE IDENTIFICATION SIGN (ENTRY TO BUILT-UP AREA)	Drawing No. :- C20
TRAFFIC SIGNS MANUAL		

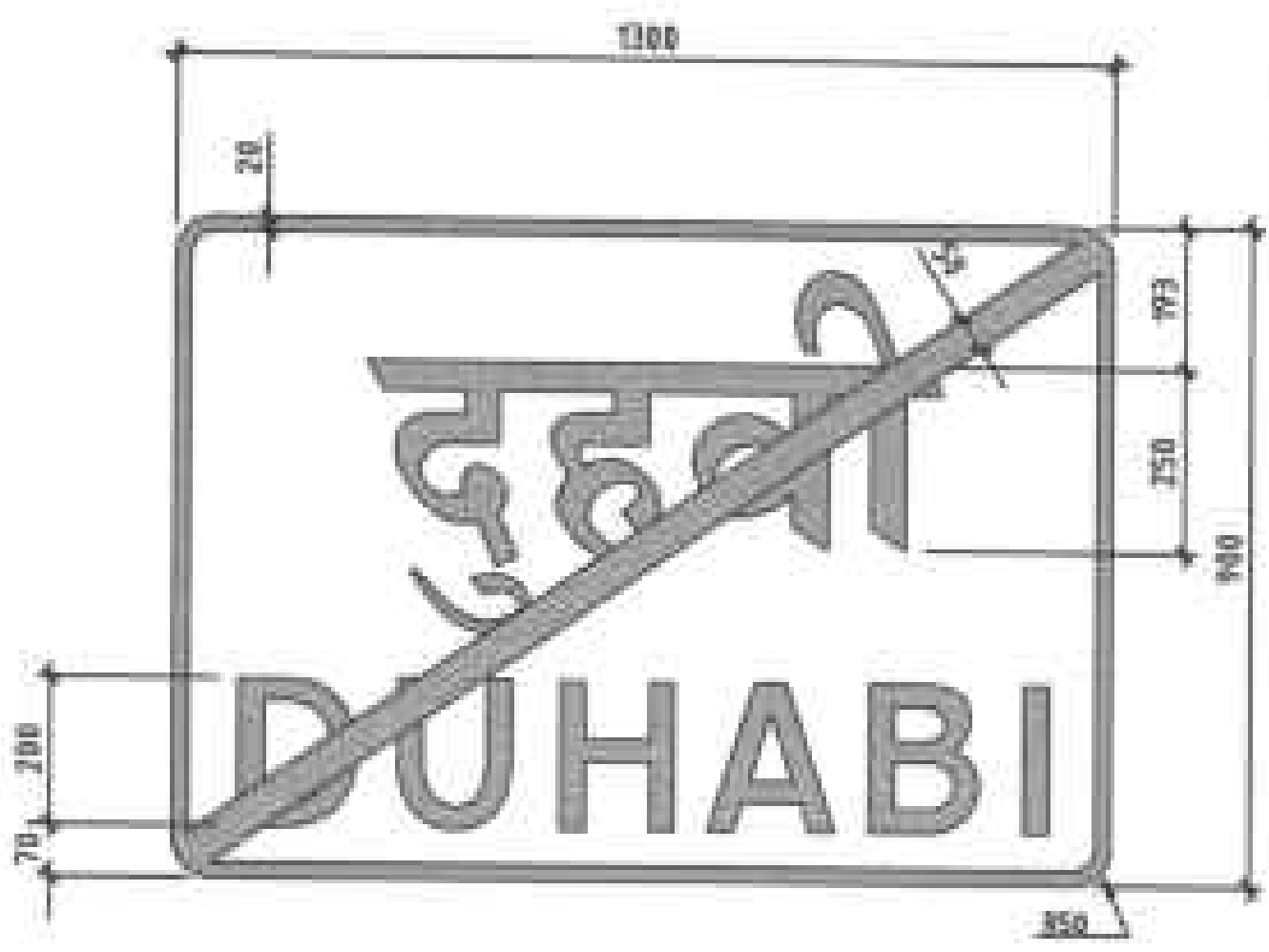


SCALE: 1:10

Notes :-
1. All dimensions shown in millimetres

Colours :-
 WHITE
 BLACK

Department of Roads	Title :- EXIT FROM BUILT UP AREA	Drawing No. :- C21
TRAFFIC SIGNS MANUAL		



SCALE 1:10

Notes :-
1. All dimensions shown in millimetres

Colour :-
 WHITE
 BLACK

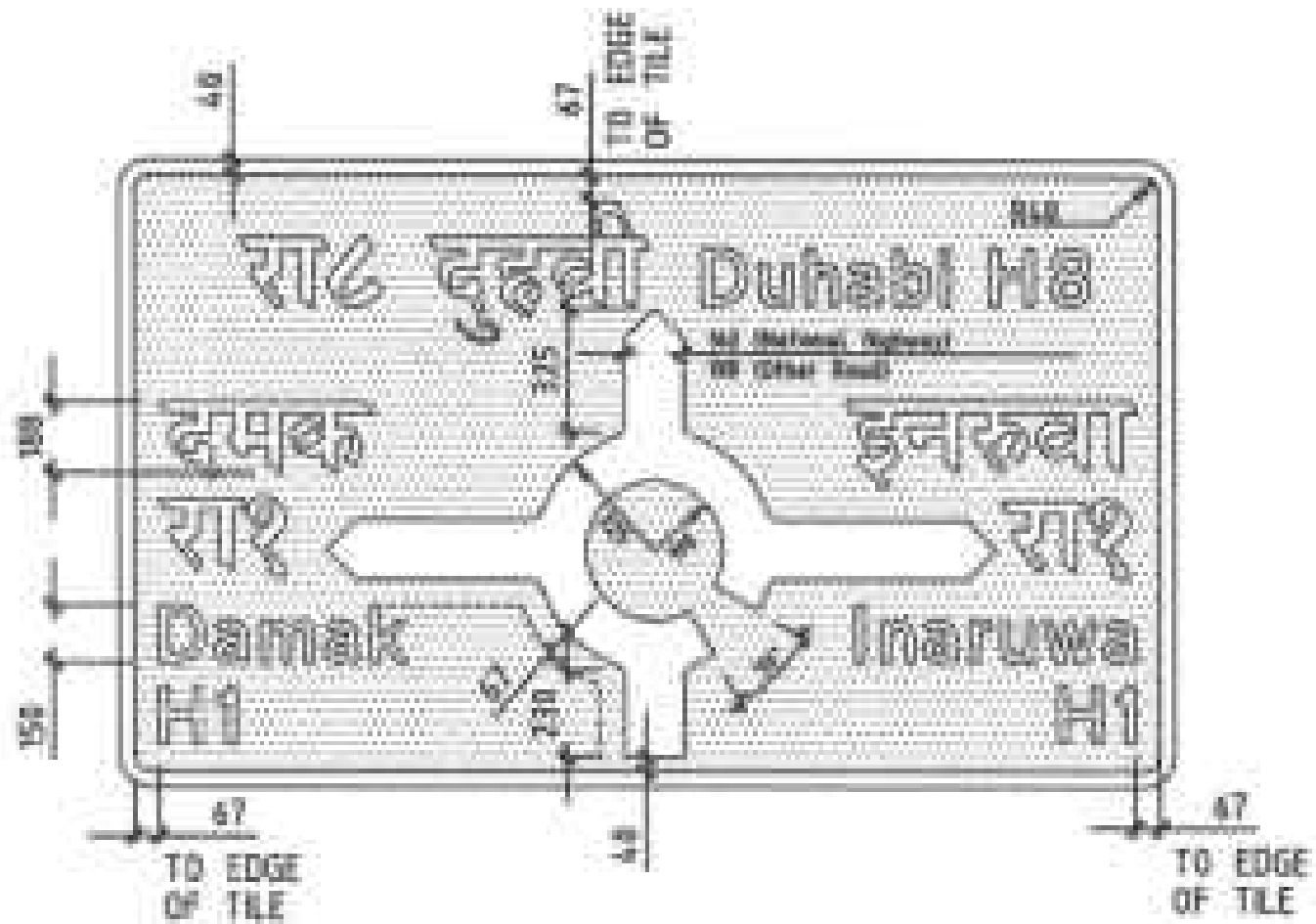
Department of Roads

Title :-
ON APPROACH TO
JUNCTIONS

Drawing No. :-

TRAFFIC SIGNS MANUAL

C22



SCALE 1:20

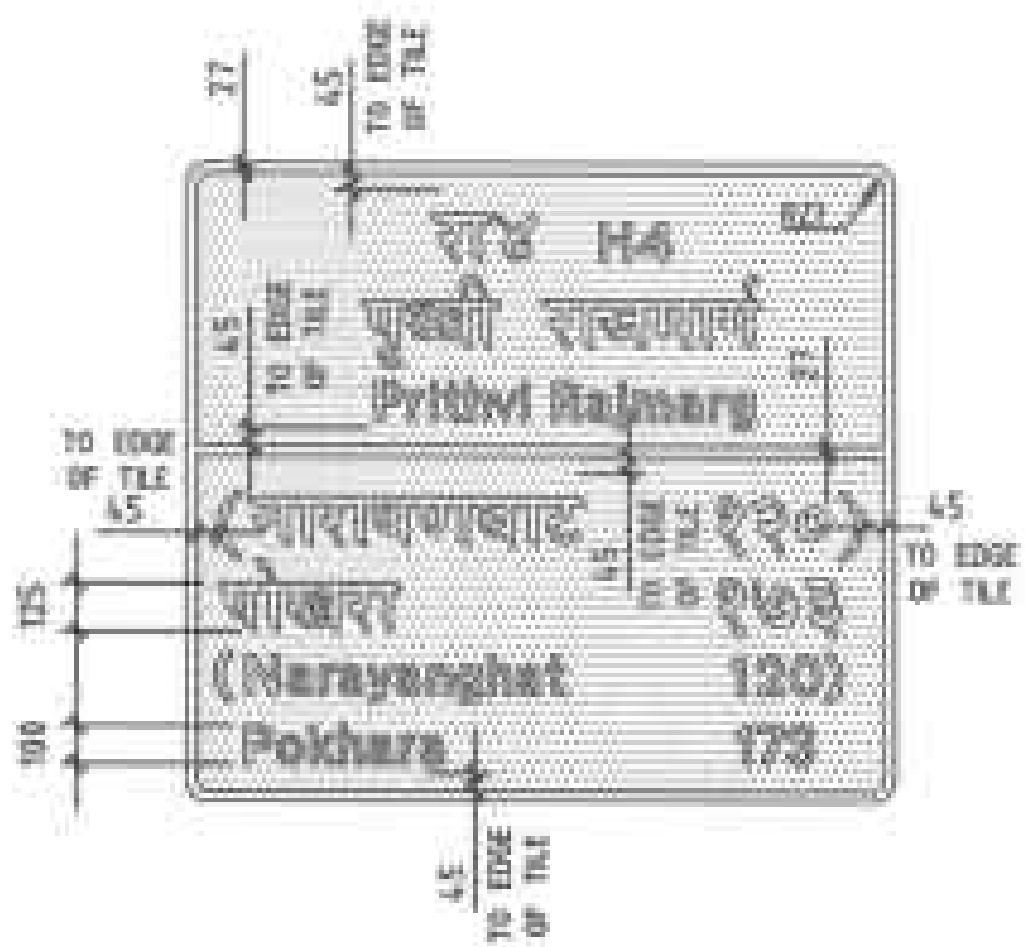
Notes :-

1. If using alternative overall sign dimensions, shown in brackets, the other sign dimensions must be varied proportionally.
2. All dimensions shown in millimetres.

Colours :-

□ WHITE
▨ GREEN

Department of Roads TRAFFIC SIGNS MANUAL	Title — ROUTE CONFIRMATION SIGN - AFTER JUNCTIONS	Drawing No. — C23
---	---	----------------------

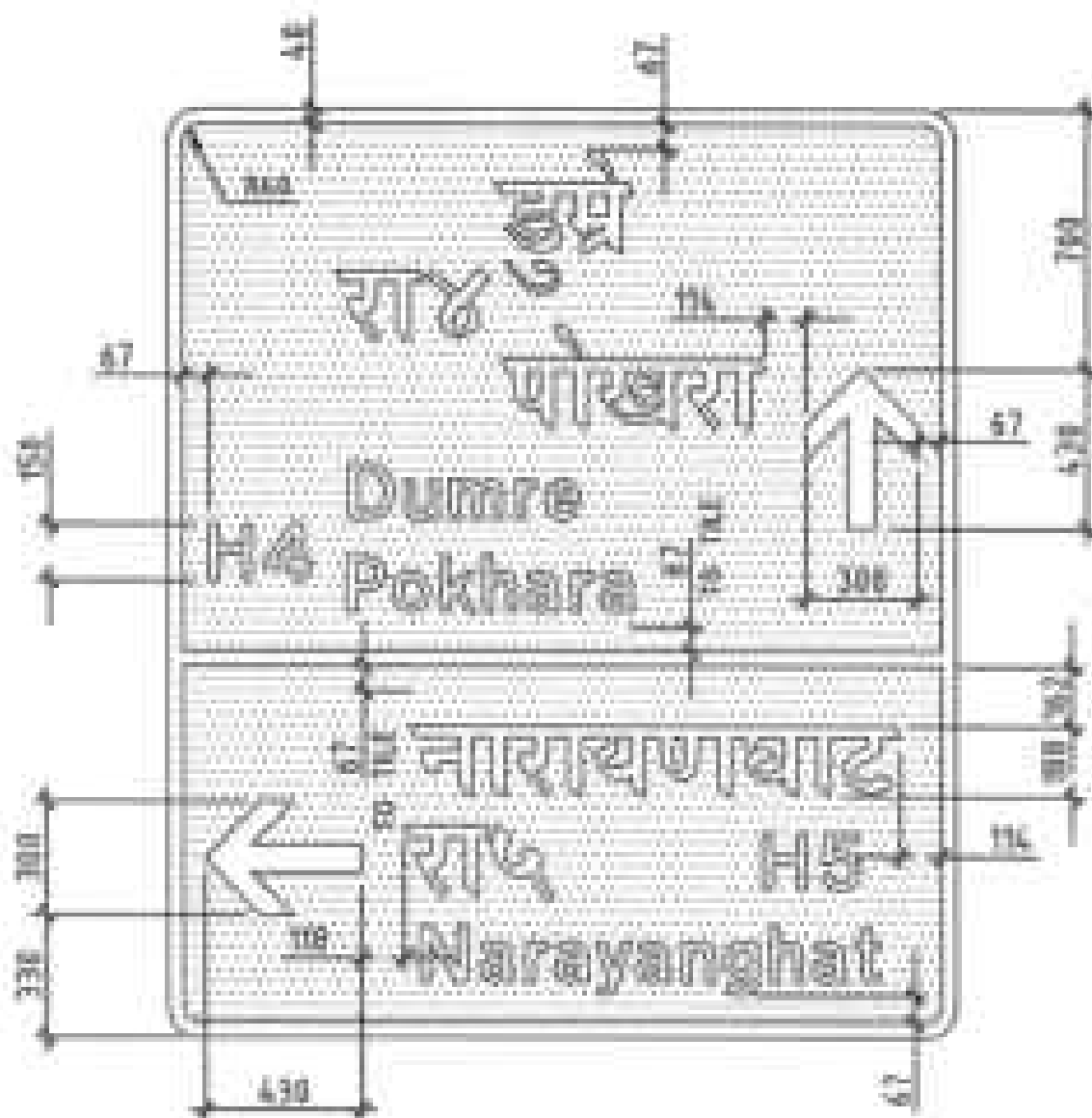


SCALE 1:20

Notes —
 1. ALL dimensions shown in millimetres

Colours —
 GREEN
 WHITE

Department of Roads	Title - ON APPROACHES TO JUNCTION - (ALTERNATIVE)	Drawing No. - C24
TRAFFIC SIGNS MANUAL		



SCALE 1:20

Notes -

1. If using alternative overall sign dimensions, shown in brackets, the other sign dimensions may be varied proportionally.
2. All dimensions shown in millimetres.

Colours -

□	WHITE
■	GREEN

Department of Roads

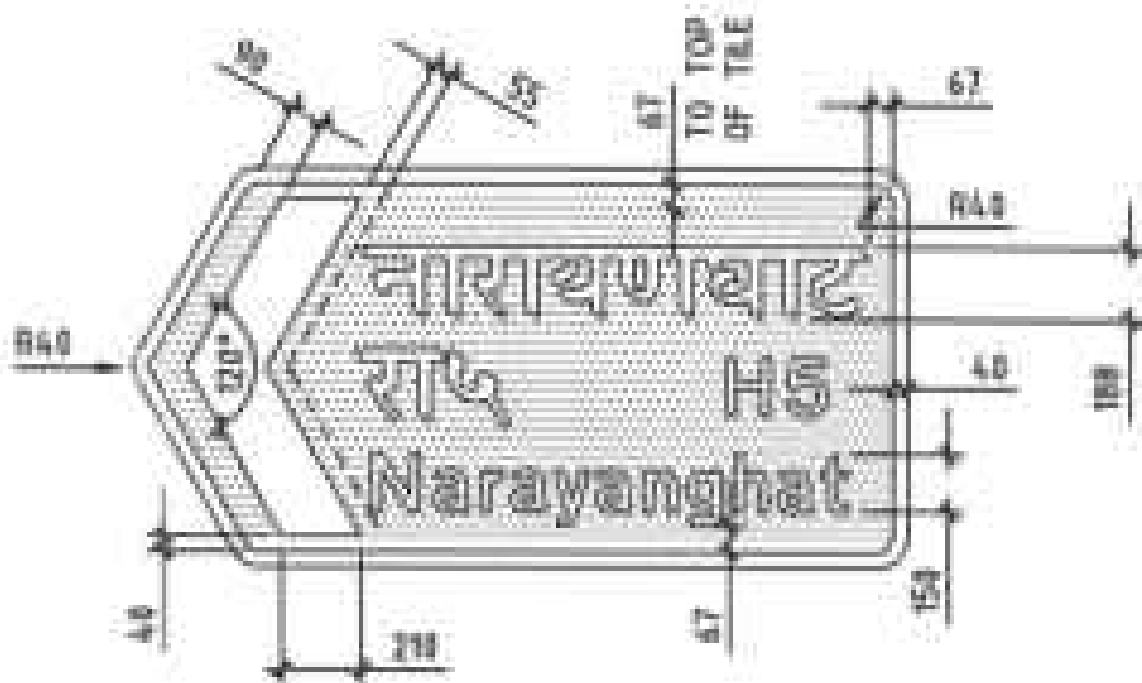
Title -

AT THE JUNCTION

Drawing No. -

C25

TRAFFIC SIGNS MANUAL



SCALE 1:20

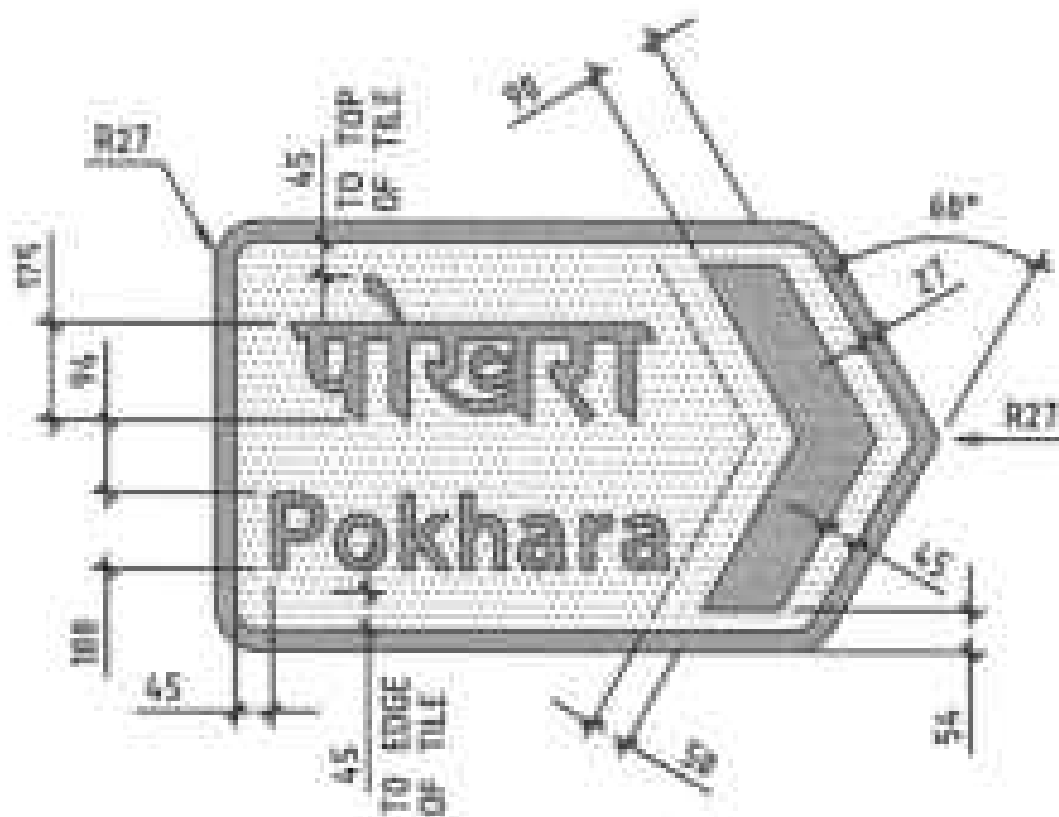
Notes -

1. All dimensions shown in millimetres

Colours -

- WHITE
- GREEN

Department of Roads TRAFFIC SIGNS MANUAL	Title :- TEMPORARY DIRECTION SIGN (DIVERSIONS)	Drawing No. :- C26
---	--	------------------------------



SCALE 1:10

Notes :-

1. If using alternative overall sign dimensions, shown in brackets, the other sign dimensions must be varied proportionally.
2. All dimensions shown in millimetres

Colours :-

- BLACK
- YELLOW

Department of Roads	Title :- AT THE JUNCTION	Drawing No. :- C27
TRAFFIC SIGNS MANUAL		



SCALE 1/10

Notes :-
 1. If using alternative overall sign dimensions, shown in brackets, the other sign dimensions must be varied proportionally.
 2. All dimensions shown in millimetres

Colour :-
 [White Box] WHITE
 [Black Box] BLACK

Department of Roads TRAFFIC SIGNS MANUAL	Title :- ON APPROACHES TO JUNCTIONS	Drawing No. :- C28
---	---	------------------------------



SCALE 1:10

Notes :-
 1. If using alternative overall sign dimensions, shown in brackets, the other sign dimensions must be varied proportionally.
 2. All dimensions shown in millimetres

Colours :-
 [White Box] WHITE
 [Black Box] BLACK

Department of Roads	Title :- BRIDGE NAME PLATE	Drawing No. :- C29
TRAFFIC SIGNS MANUAL		



SCALE 1:20

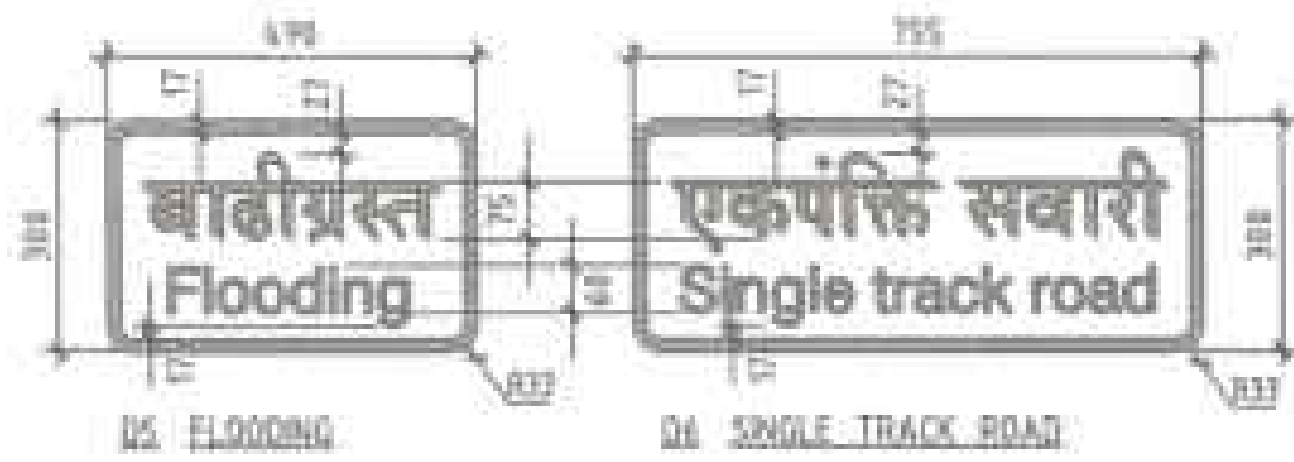
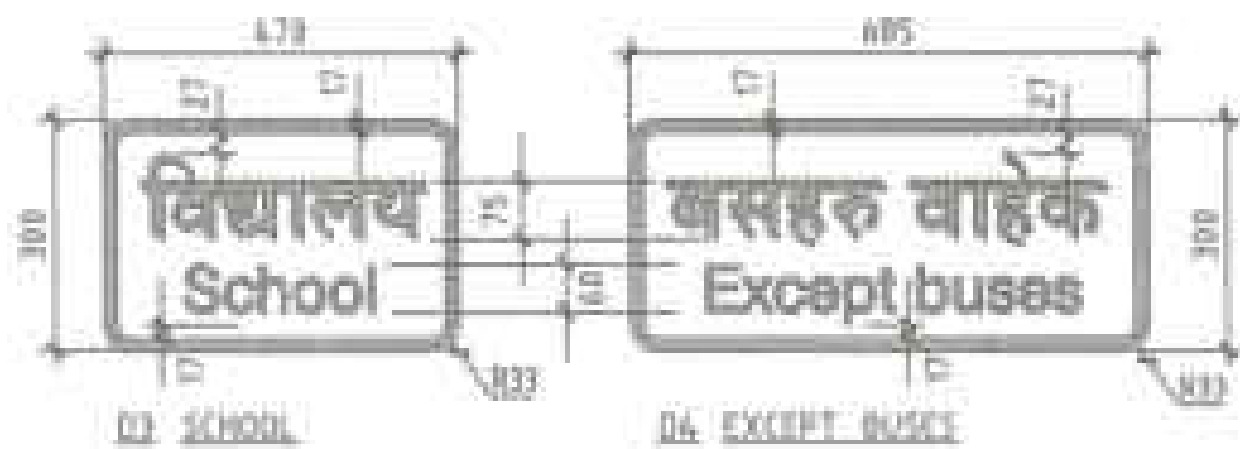
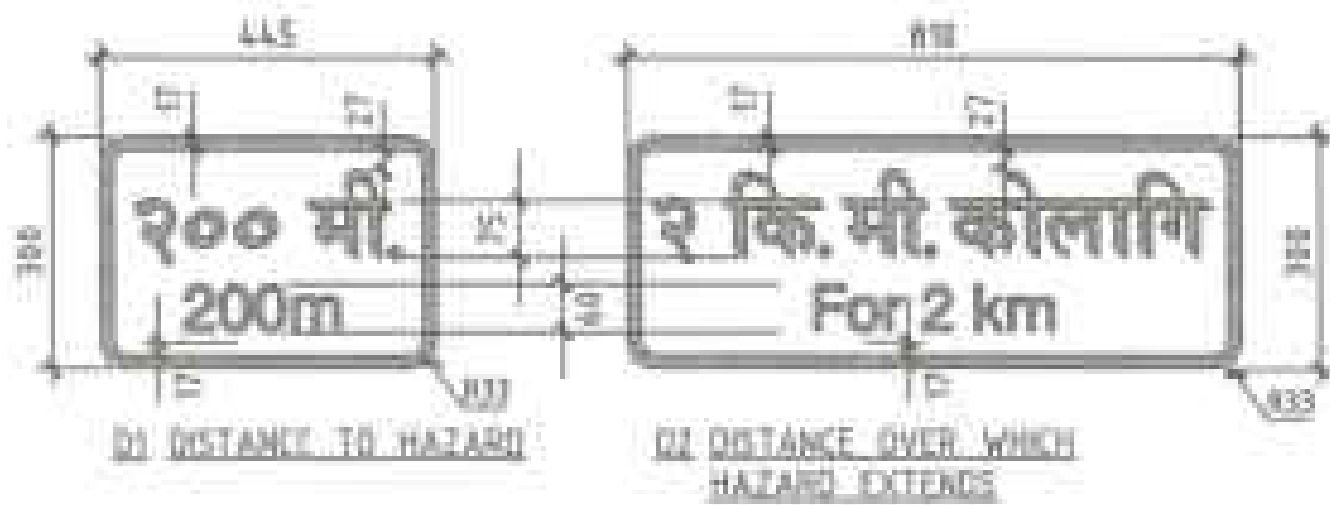
Notes :-

1. If using alternative overall sign dimensions, shown in brackets, the other sign dimensions can be varied proportionally.
2. All dimensions shown in millimetres.

Colours :-

- WHITE
- BLACK

Department of Roads	Title -- SUPPLEMENTARY PLATES	Drawing No. -- D1 - 06
TRAFFIC SIGNS MANUAL		



SCALE 1/10

Notes --
1. All dimensions shown in millimetres

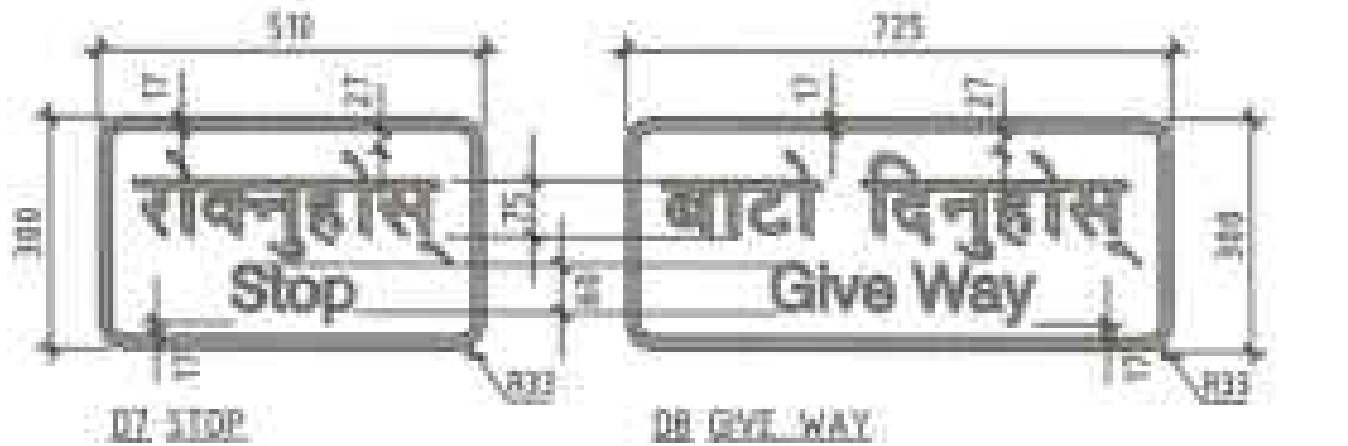
Colours --
 WHITE
 BLACK

Department of Roads

SUPPLEMENTARY PLATES

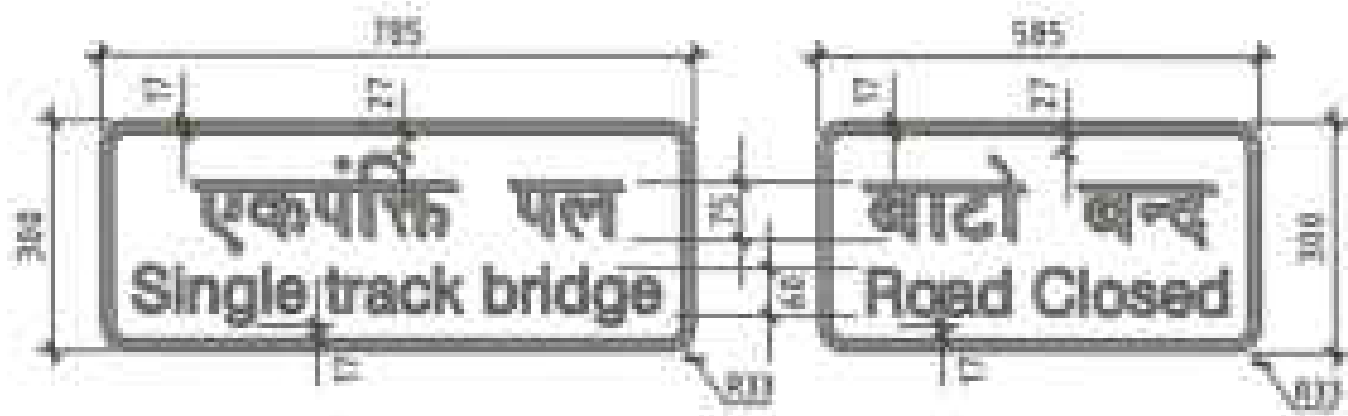
D7 - 012

TRAFFIC SIGNS MANUAL



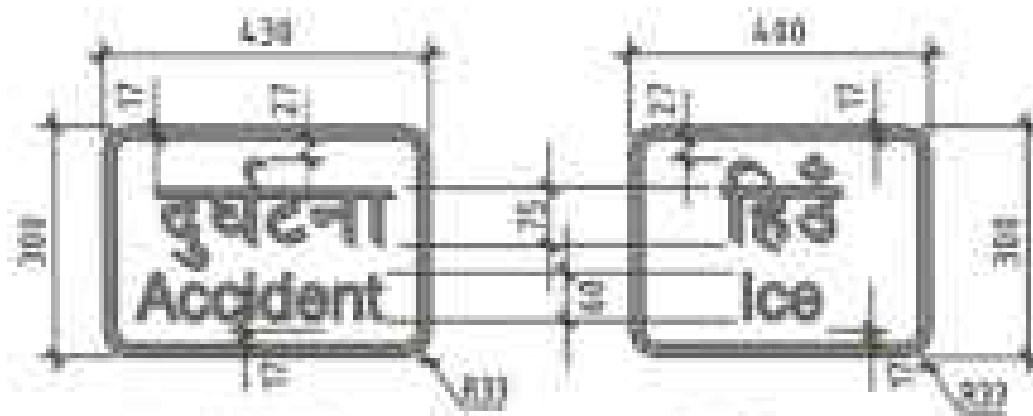
D7 STOP

D8 GIVE WAY



D9 SINGLE TRACK BRIDGE

D10 ROAD CLOSED



D11 ACCIDENT

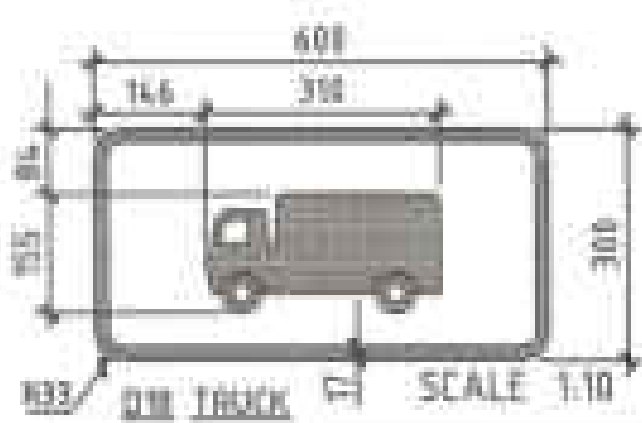
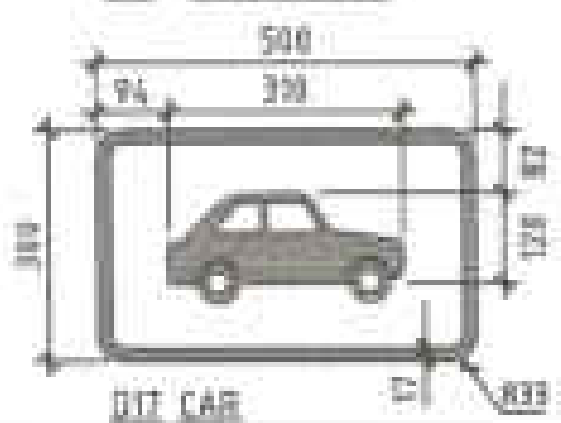
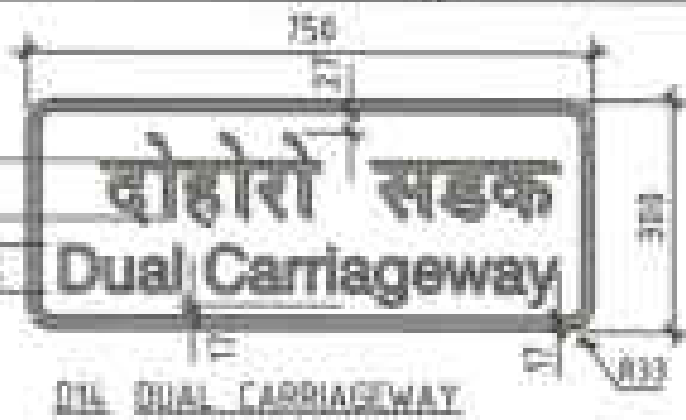
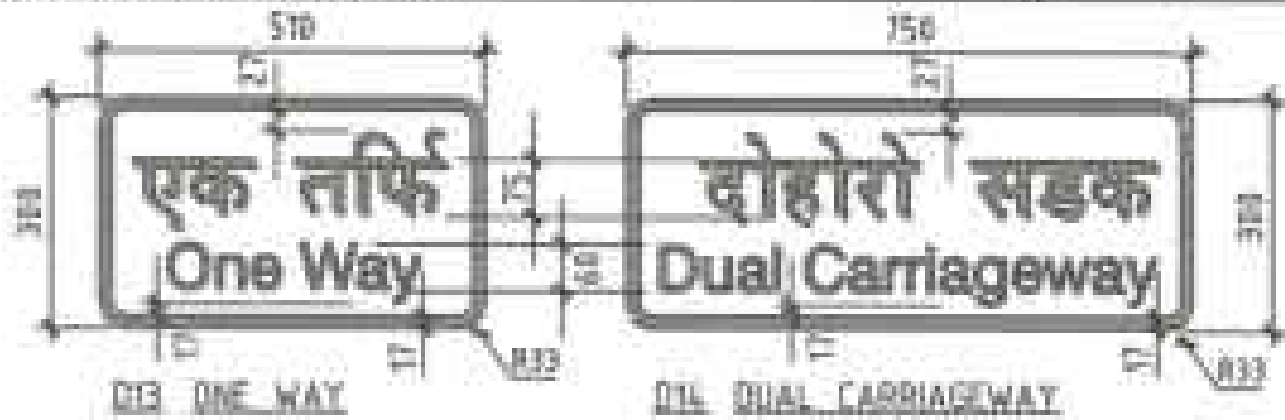
D12 ICE

SCALE 1:30

Notes: 1. All dimensions shown in millimetres

Colors:
 [White box] WHITE
 [Black box] BLACK

Department of Roads TRAFFIC SIGNS MANUAL	Title - SUPPLEMENTARY PLATES	Drawing No. - D13 - D18
---	---------------------------------	----------------------------



Notes -
 1. All dimensions shown in millimetres

Colours -
 [White box] WHITE
 [Black box] BLACK

Department of Roads

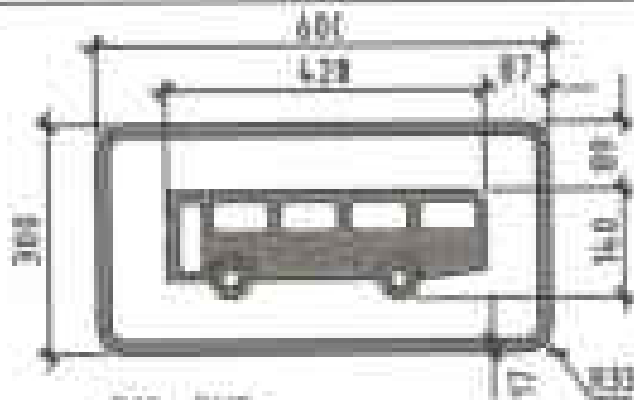
Title :-

SUPPLEMENTARY PLATES

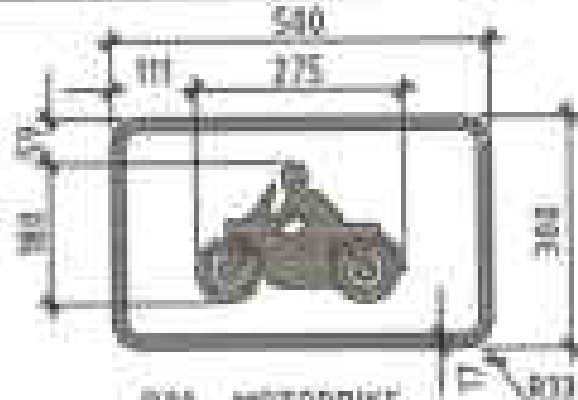
Drawing No. :-

D19 - D26

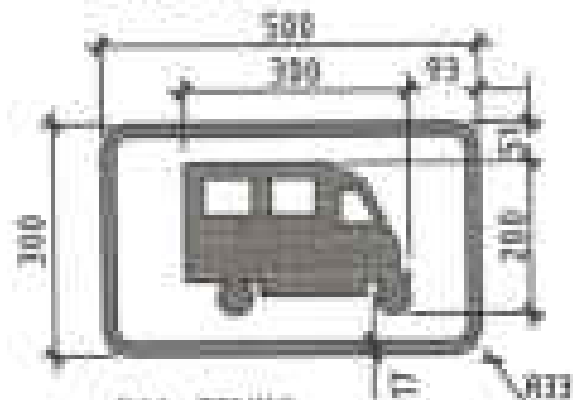
TRAFFIC SIGNS MANUAL



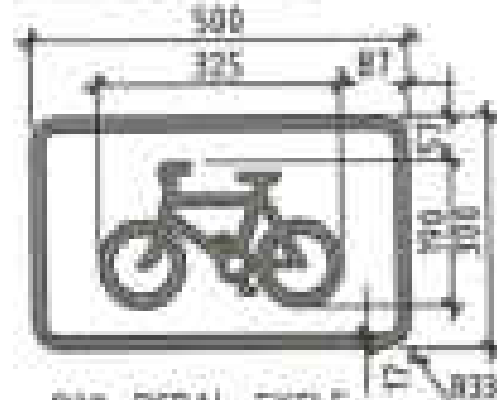
D19 BUS



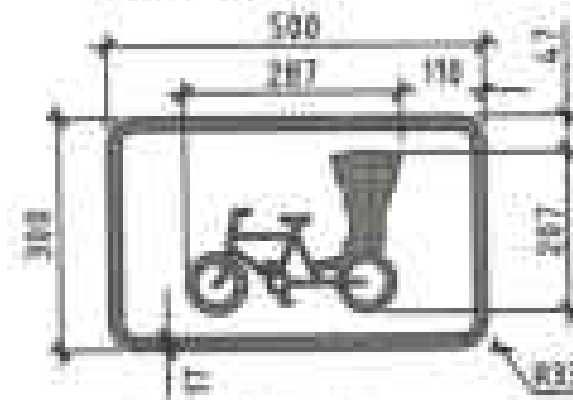
D20 MOTORBIKE



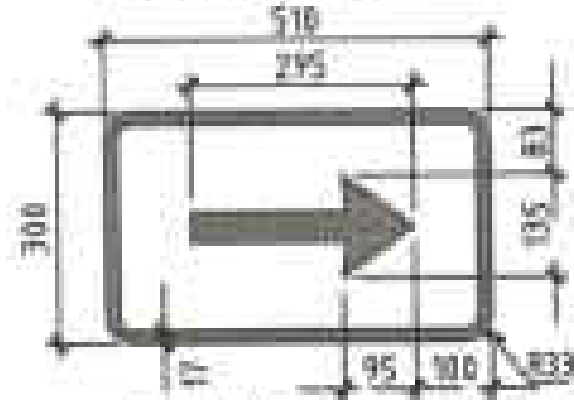
D21 TEMPO



D22 PEDAL CYCLE



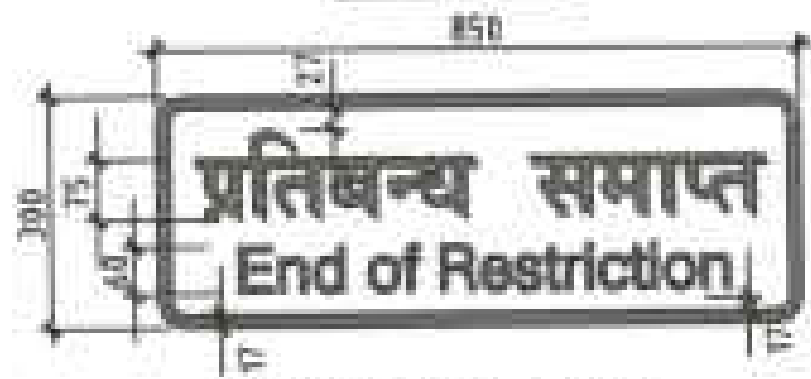
D23 RICKSHAW



D25 ARROW TO THE RIGHT



D24 END



D26 END OF RESTRICTION

Notes :-

1. All dimensions shown in millimetres

Colours :-

□ WHITE
■ BLACK

SCALE 1/10

क

ख

ग

घ

ङ

च

छ

ज

झ

ञ

ट

ठ

ड

ढ

ण

त

थ

द

ध

न

प

फ

ब

भ

म

य

र

ल

व

श

ष

स

ह

क्ष

प्र

श्च

୪

୩

୩

୩

୩

୩

୩

୩

୩

୩

୩

୩

୩

୩

୩

୩

୩

୩

୩

୩

୩

୩

୩

୩

୩

୩

୩

୩

୩

୩

୩

୩

୩

୩

୩

୩

इ

०

इव

इव

अं:

४

४

इव

इव

अं.

इव

४

अव

अव

अव

इव

६

अव

अव

अव

४

५

अव

अव

अव

।

ि

ी

क

का

कि

की

ॆ

े

ै

ी

कॆ

कॆ

कॆ

कॆ

ॆ

ॆ

ॆ

ॆ

को

को

कं

कः

∩

∩₁₈

∩

∩₁₈

∩

∩

∩₁₈

∩

∩₁₈

∩

∩

∩₁₈

∩

∩₁₈

∩

∩₁₈

∩

ऊ

हू

हु

हृ

ह्र

ह्रि

हो

होः

होः

होः

होः

हो

हो

हो

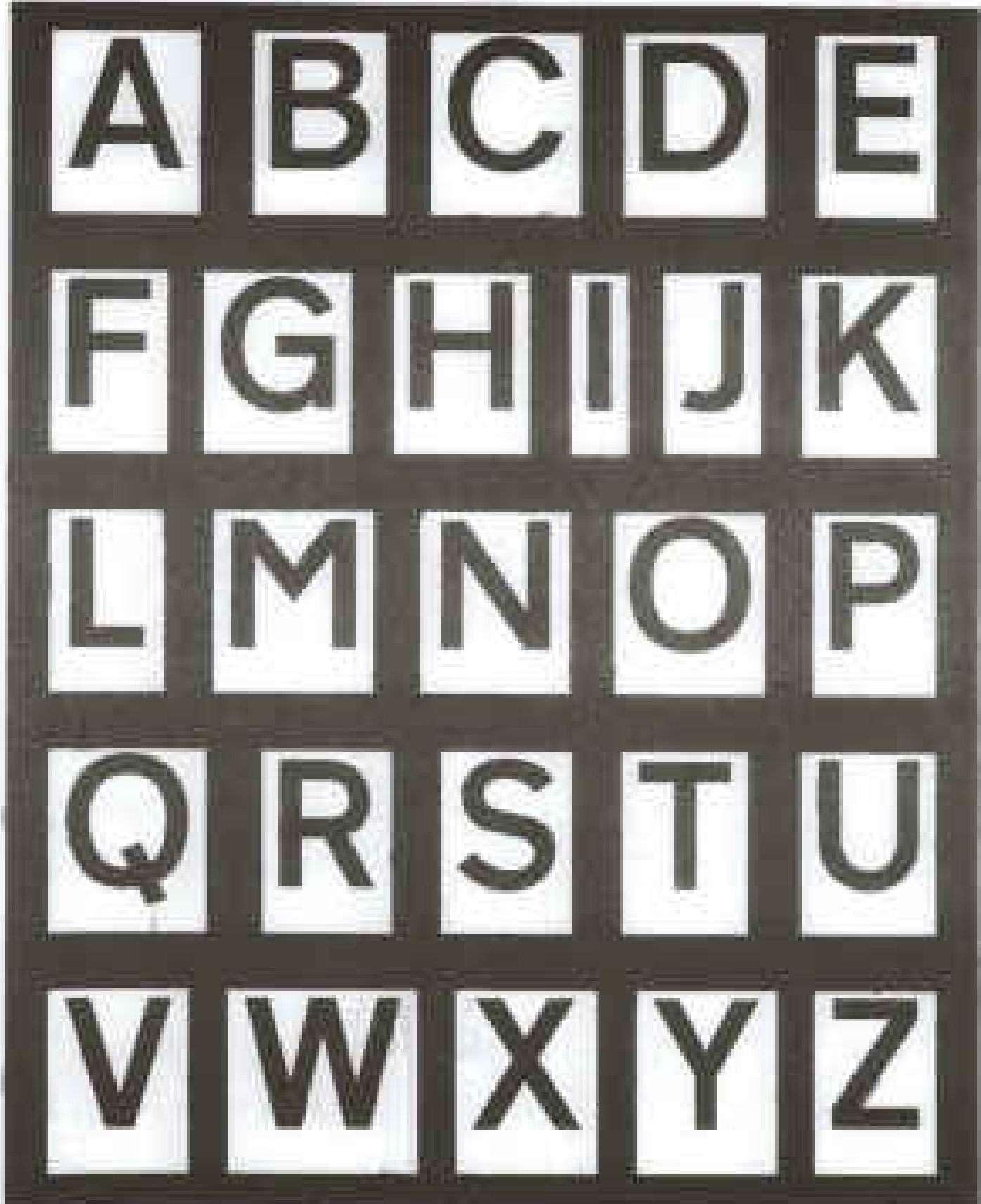
हो

होः

The Widths of Transport Heavy alphabet

The widths are given in terms of their capital height h

Upper Case		Lower Case		Numerals		
A	1.01	a	0.79	1	0.60	
B	1.04	b	0.87	2	0.89	
C	1.08	c	0.76	3	0.97	
D	1.07	d	0.85	4	0.99	
E	0.97	e	0.79	5	0.91	
F	0.86	f	0.56	6	0.92	
G	1.11	g	0.84	7	0.76	
H	1.14	h	0.85	8	0.99	
I	0.52	i	0.39	9	0.92	
J	0.68	j	0.51	0	1.04	
K	0.99	k	0.81	Punctuation marks etc.		
L	0.84	l	0.45	&	0.91	
M	1.33	m	1.24	(0.82	
N	1.20	n	0.85)	0.82	
O	1.13	o	0.82	?	1.04	
P	0.96	p	0.86	:	0.40	full stop
Q	1.15	q	0.86	;	0.40	colon
R	1.06	r	0.61	'	0.49	apostrophe
S	1.04	s	0.71	-	0.51	hyphen
T	0.84	t	0.60			
U	1.12	u	0.86			
V	0.95	v	0.76			
W	1.38	w	1.14			
X	0.93	x	0.79			
Y	0.91	y	0.76			
Z	0.85	z	0.66			



a

b

c

d

e

f

g

h

i

j

k

l

m

n

o

p

q

r

s

t

u

v

w

x

y

z

1

2

3

4

5

6

7

8

9

0

¹4

¹2

³4

¹3

²3

1/2

%

(

)

&

?

.

.

:

,

,

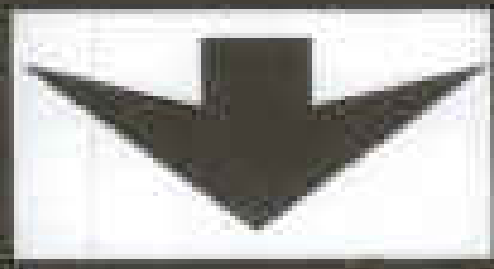
-

/

//

/

/



कोशेलुंगावा भेखिनु पर्ने महसुबपुर्ब नहर, नगर, स्थान तथा अन्य नामहरु:

राजमार्गहरु

	महेन्द्रराजमार्ग H01			विभूजन राजमार्ग H02
१	काकरभिट्टा(सिमाना)	१८	नारायणघाट	काठमाण्डौ
२	भारजापी	१९	घर्बघाट	नीबिसे
३	बिलिबोड	२०	मुनबल	टिप्टुङ
४	दम्क	२१	बुटवल	पानुङ
५	इटहरी	२२	त्रिभुवनपुर	सिमानासाँघु
६	इनडवा	२३	तीरुसिङ्गे	पेले
७	भारवह	२४	चनौटा	सेटीडा
८	इपथि	२५	पानुसाङ	पथसैया
९	काठमाडौं	२६	लमही	सिपरा
१०	नलान	२७	अनेसिया	वीरगञ्ज
११	सैतवी	२८	बोहलपुर	सिसिया (सिमाना)
१२	कुम्भेश्वर	२९	धुरेगाउँ	
१३	वर्दिवास	३०	जनाती गुन	
१४	नवलपुर	३१	रुङ्गा	
१५	बन्दिनागाहपुर	३२	अनारिया	
१६	पथसैया	३३	महेन्द्रनगर	
१७	सेटीडा	३४	गङ्गासाँघु (सिमाना)	

राजमार्ग-४

	उत्तरीको राजमार्ग H03	पुष्पी राजमार्ग H04	नारायणघाट-मुष्नीङ राजमार्ग H05
१	जठमान्डी	नौबिसे	नारायणघाट
२	भक्तपुर	पसेषु	रामनगर
३	बरेला	मुष्नीङ	मुष्नीङ
४	धुलिखेल	डांग्खैरेनि	
५	सिनीपथ्ये	रुपे	
६	पाँचखाल	बनौली (सप्त धरिणम)	
७	बौलामघाट	पेडाघाट	
८	बन्दिउ		
९	बापौसांगु		
१०	आइबिसे		
११	पिस्तेरी सांगु (सिपाम)		

	धुलिखेल-सिन्धुली- बिराटमोड राजमार्ग H06	नेवी राजमार्ग H07	जेवी राजमार्ग H08
१	बिराटमोड (सिपाम)	केचना	रानी (सिपाम)
२	रौतहट	पञ्चपुर	बिराटनगर
३	जनकपुर	शारजाली	सुनडी
४	इलकेश्वर	सिखजल	इटाहरी
५	बर्दिबास	इलाम	धरान
६	सिन्धुली	रीके	सुनघाट
७	धुलिखेल	फिदिम	धनकुटा
८		ताप्लेजुङ	जिरी

राजमार्ग

	नगरनाथा राजमार्ग H09	सिद्धार्थ राजमार्ग H10	राज्जी राजमार्ग H11
१	कन्दमाहा	सुनौली (सिमाना)	अपेनिया
२	जनकौ	सिद्धार्थनगर	तुल्सीपुर
३	गाईघाट	बृहथल	कपुरकोट
४	सोमसुम्नौटी	बर्तुङ (बानकेन नाथ)	सिमानाघाटी
५		बासीङ	पुमीकोट
६		स्थाङ्गा	
७		सोखरा	

	रदन राजमार्ग H12	कर्णाली राजमार्ग H13	महाकाली राजमार्ग H14
१	अर्पुनिया (सिमाना)	निर्भीषाधिन	सोहना गुन (सिमाना)
२	नेपालगञ्ज		धनगढी
३	नेतनपुर		अनरीका
४	बीसापानी		फरतुण्डे
५	छिन्पु		बुङर
६	बिरेन्द्रनगर		स्थाङ्गे
७			इशेण्डुप
८			बोहरे
९			पाटन

राजमार्ग

	सेरी राजमार्ग H15		
१	न्याउने		
२	मान्डुडिमेन		
३	विपायत		
४	सिलगाडी		

सहायकमार्ग

	चित्तौड़-बन्दागढ़ी F01	दमक-गौरीगञ्ज F02	भारदह-राजविराज F03
१	चित्तौड़	दमक	भारदह
२	बखपुर	गौराबह	हनुमाननगर
३		गौरीगञ्ज	राजविराज

	दपनी-राजविराज- कुनीली F04	बौहरवा-सिरहा-माडर F05	नवलपुर-मर्गगा F06
१	दपनी	बौहरवा	नवलपुर
२	राजविराज	सिरहा	मर्गगा
३	कुनीली	माडर	

	बन्दागाहपुर-गौर F07	बर्षघाट-प्रतापपुर- मुरजपुर F08	सुनवल-परामी F09
१	बन्दागाहपुर	बर्षघाट	सुनवल
२	गौर	प्रतापपुर	परामी
३		मुरजपुर	

सहायक नगरांचे

	जिवापुर-तीर्थनका- बुद्रुवा F10	गोरसिडे-सनिशुर्क F11	बनीटा-कृष्णनगर F12
१	जिवापुर	गोरसिडे	बनीटा
२	तीर्थनका	पस्थराजेट	कृष्णनगर
३	बुद्रुवा	सनिशुर्क	

	भामुनाड-रोल्पा F13	बकवडे-प्युठान F14	सुमरी-घोराही- सुन्नीपूर F15
१	भामुनाड	बकवडे	सुमरी
२	बकवडे	प्युठान	घोराही (विशुवनागर)
३	रोल्पा		सुन्नीपूर

	पुरेगाड-गुमरीया F16	दुसा-राजापूर F17	वीरगन्ज-करीया F18
१	पुरेगाड	दुसा	वीरगन्ज
२	गुमरीया	टीकापूर	करीया
३		राजापूर	

	वैसे-भिमफेडी F19	पामुड-कुलेखानी F20	काठनाणडी-विशुली- धुन्ने F21
१	वैसे	पामुड	काठनाणडी
२	भिमफेडी	कुलेखानी	ककनी
			विशुली
३			धुन्ने

सहायक नगराधिकारी

	धन्नापुर-नगरकोट F28	बनेगा-पनीती- बोपानी F29	पांचखाल-हेमम्बू F30
१	धन्नापुर	बनेगा	पांचखाल
२	नगरकोट	पनीती	हेमम्बू
३		बोपानी	

	दोनामघाट-बौतारा F31	साभोसांगु-साभाकोशी- रामेछाप F32	साभाकोशी-जिरी F33
१	दोनामघाट	साभोसांगु	साभाकोशी
२	बौतारा	परिकोट	जिरी
३		साभाकोशी	
४		रामेछाप	

	पलेखु-धादिङ F34	जाबुखैरेनी-गोरखा F35	रुपे-बेसीबहर F36
१	पलेखु	जाबुखैरेनी	रुपे
२	धादिङ	गोरखा	बेसीबहर

	फिमकल-पशुपतिनगर F38	बिराटनगर-रङ्गेली F39	तिम्ते-बसन्तपुर- तेह्रथुम F40
१	फिमकल	बिराटनगर	तिम्ते
२	पशुपतिनगर	रङ्गेली	बसन्तपुर
३			तेह्रथुम

महापंचकभागसिद्ध

	पोखरा-वानाड-वेनी F42	धार्तुड-वानसेन-रीडी- सम्पास F43	वेरहवा-शुम्बनी F44
१.	पोखरा	वानसेन	वेरहवा
	जुम्पा	रीडी	शुम्बनी
२.	वानाड	सम्पास	
३.	वेनी		

	शुम्बनी-सीमिहवा F45	नेमानाड-गुजरीया F46	छिन्दू-बाबरकोट F47
१.	शुम्बनी	नेमानाड	छिन्दू
२.	सीमिहवा	गुजरीया	बाबरकोट

	त्रिरेन्दनगर-वैनेवा F48	बोडये-बभारड F49	मसवाड-वैताडी- फुलाघाट F50
१.	त्रिरेन्दनगर	बोडये	वैताडी
२.	वैनेवा	बभारड	फुलाघाट

	सिसगडी-साफेवाट F51		
१.	सिसगडी		
२.	साफेवाट		

बाकरी सडक F22, F23, F24, F25, F26, F27, F41

CITIES, TOWNS, AND LANDMARKS TO BE NAMED ON MARKER STONES

WIGHNAX

	MAHENDRA RAJMARG H01		TRIBUYAN RAJPATH H02
1	Kakarbhitta (Border)	Narayanghat	Kathmandu
2	Chasli	Bardaghat	Naxite
3	Birtamad	Sarnal	Tistung
4	Dumak	Satwal	Palang
5	Iskari	Jipur	Simbharyang
6	Isarwa	Gorwaga	Bhainar
7	Bhadaha	Chenasa	Hetauda
8	Rupani	Shakubang	Parbhalya
9	Kudmaha	Lamahi	Sinara
10	Lahan	Amalya	Birpori
11	Chakurwa	Kuchapur	Kintya (Border)
12	Dhakhata	Bhurgan	
13	Budhan	Karnali Bridge	
14	Navalpur	Janga	
15	Chandranigahapur	Amalya	
16	Parbhalya	Mahendraghat	
17	Hetauda	Gaddachuki (Border)	

MUGLING

	ARHO RAJMARG H3	PRITHVI RAJMARG H4	NARAYANGHAT- MUGLING RAJMARG H5
1	Kathmandu	Naula	Narayanghat
2	Bhaktapur	Malcha	Ramnagar
3	Besisa	Mugling	Mugling
4	Dhulikhel	Arakhanra	
5	Taplejung	Dumre	
6	Panchkhal	Charnali (Upper Narayani)	
7	Dhulghat	Prithvi	
8	Bardha		
9	Lamjung		
10	Bardha		
11	Makruwaj (Border)		

	DHULIKHEL - SINDHULA- BUTTAROD RAJMARG H6	MECHI RAJMARG H7	KOSHI RAJMARG H8
1	Buttarod (Border)	Kochana	Raut (Border)
2	Jokim	Bhadrapur	Biratnagar
3	Jankpur	Charai	Dubahi
4	Dhulikhel	Falka	Isari
5	Bardha	Ilam	Dharan
6	Siddha	Rauke	Mughal
7	Dhulikhel	Phidim	Charukola
8		Taplejung	Hile

उद्देश्य

	SAKAMATHA RAJMARG 109	SIDDHARTHIA RAJMARG 110	RAPTI RAJMARG 111
1	Kaomala	Sunauli (Border)	Ameliya
2	Islipat	Siddharthnagar	Tahulpur
3	Gaighat	Balwa	Kapalnagar
4	Sahaswari	Baryang (Tawa Mandgohri)	Sitalpur
5		Waling	Mahara
6		Syangja	
7		Pokhara	

	RATNA RAJMARG 112	KARNALI RAJMARG 113	MAHAKALI RAJMARG 114
1	Jamuniya (Border)	Under Construction	Mihara Bridge (Border)
2	Hopalganj		Changali
3	Kumarpur		Anariya
4	Chhapra		Fatanda
5	Chhincha		Buda
6	Bansdangan		Syauli
7			Dandeldhara
8			Kholpa
9			Patan

REGHAT

	SETI RAJMARG H12		
1	Dadkhora		
2	Bandighora		
3	Dhawal		
4	Tilgadi		

FEEDERROAD

	BHITANOD - CHANDIGADI F1	DAMAK - GAURIGUNJ F2	SHARDANA -RAJHRAJ F3
1	Bhitandi	Damak	Shardana
2	Bhadrapur	Gaurigunj	Hanmantolga
3		Gaurigunj	Rajhraj

	RUPANI - RAJHRAJ - KONALI F4	CHAUHARA - SIRSHA - MADAR F5	NAWALPUR - MALANGWA F6
1	Rupani	Chauhara	Nawalpur
2	Rajhraj	Sirsha	Malangwa
3	Konali	Madar	

	CHANDRANIGAHAPUR - GAUR F7	BARDAGHAT - PRATAPPUR - SURAJPURA F8	SUNWAL - PARASI F9
1	Chandranigahapur	Bardaghat	Sunwal
2	Gaur	Pratappur	Parasi
3		Surajpura	

FEEDERROAD

	JITPUR - TAULJAWA - KHUNUWA F10	GORUSINGE - SANDHIKHARKA F11	CHANAUTA - KRESINANAGAR F12
1	Jitpur	Gorusinge	Chanauta
2	Tauljawa	Patharkoti	Krishnanagar
3	Khanuwa	Sandikharka	

	BHALUBANG -ROLPA F13	CHARCHAKE-PYUTHAN F14	LAMAHI - GHORALI - TULSIPUR F15
1	Bhalubang	Charchake	Lamahe
2	Charchake	Pyuthan	Ghorali (Tribhuvanagar)
3	Rolpa		Tulsipur

	BHUREGANI- GULARIYA F16	JUNGA-RAJAPUR F17	BIRGUNJ-KALAYA F18
1	Bhureganj	Junga	Birgunj
2	Gulariya	Tikapur	Kalya
3		Rajapur	

	BHAINSE-BHIMPHEDE F19	PALUNG - KULEKHANI F20	KATHMANDU - TULSI DHUNCHE F21
1	Bhainse	Palung	Katmandu
2	Bhimphede	Kulekhani	Katani
3			Trinai
4			Dhunde

FEEDERROAD

	BHAKTAPUR-NAGARKOT F28	BANPA-PANAUTI- KHOPASI F29	PANCHHIAL- BELAMBU F30
1	Bhaktapur	Banpa	Panchhial
2	Nagarkot	Panauti	Belambu
3		Khopasi	

	DOLALGHAT-CHAUTARA F31	LANDSANGU - TAMAKOSHI- RAMACHHAP F32	TAMAKOSHI-JIRI F33
1	Dolalghat	Landsangu	Tamakoshi
2	Chautara	Charkot	Jiri
3		Tamakoshi	
4		Ramochhap	

	MALEKHI - DHADING F34	ANBUKHAIRANI - GORKHA F35	DUMRE - BESISATHAR F36
1	Malekhi	Anbukhairani	Dumre
2	Dhading	Gorkha	Besisathar

	FIRKAL - PASUPATNAGAR F38	BIRATHNAGAR - RANGELI F39	HILE - BASANTAPUR TEHRATHUM F40
1	Firkal	Birathnagar	Hile
2	Pasupatinagar	Rangeli	Basantapur
3			Tehrathum

FEEDERROAD

	POKHARA - BAGLUNG- BENI F42	BARTUNG - TANSEN - RIDI - TANGHAS F43	BHAIRAHAWA - LUMBINI F44
1	Pokhara	Tansen	Bhairahawa
2	Kuma	Ridi	Lumbini
3	Baglung	Tanghas	
4	Beni		

	LUMBINI-TAULIHAWA F45	NEPALGUNJ -GULARIYA F46	CHHINCHU -JAJARKOT F47
1	Lumbini	Nepalgunj	Chhochu
2	Taulihawa	Gulariya	Jajarkot

	BIRENDRANAGAR- DAILEKHA F48	KHODPE - BAJHANG F49	SATBANJ - BAITADI- MULAGHAT F50
1	Birendranagar	Khodpe	Baitadi
2	Dailkha	Bajhang	Mulaghat

	SILGADHI - SARFEBAGAR F51		
1	Silgathi		
2	Sarfebagar		

URBAN ROADS: F17, F18, F23, F24, F25, F26, F41